



**STEELHEAD
MARINE**

ADVANTEC ADVANTAGE



**3 YEAR
HASSLE-FREE
WARRANTY**

WE ARE PASSIONATE ABOUT DELIVERING

RELIABLE **SOLUTIONS**
SUPERIOR **QUALITY**
WORLD-CLASS **SUPPORT**

INSTALLATION AND OPERATION MANUAL ES2200 | ES2500



ES Series

Lightweight, super efficient,
low profile European design
with four-function hydraulics.

Proudly part of the **AdvanTec** family of brands



ADVANTEC GLOBAL INNOVATIONS



ADVANTECGLOBAL



ADVANTEC MARINE

WWW.ADVANTECGLOBAL.COM

TABLE OF CONTENTS

ABOUT US **3**

BENEFITS OF STEELHEAD MARINE | OUR WARRANTY

YACHT CRANE ASSEMBLY **5**

NOTICE TO INSTALLER	6
REQUIRED EQUIPMENT AND TOOLS	7
PLANNING THE INSTALLATION	8
14FT ES 22 REACH	10

INSTALLING THE STANDPIPE **11**

OPERATING INSTRUCTIONS **15**

CRANE STORAGE MAINTENANCE	17
TROUBLESHOOTING	18
SPECIFICATIONS	19

APPENDIX **20**

WIRING DIAGRAM	21
MANIFOLD	22
HPU	24
EXPLODED VIEW	26
SM-1 CONTROLLER	27

YACHT CRANES **28**

SERVICE & SUPPORT | CONTACT INFORMATION **30**

ADVANTEC ADVANTAGE



3 YEAR
HASSLE-FREE
WARRANTY

WE ARE PASSIONATE ABOUT DELIVERING

RELIABLE **SOLUTIONS**
SUPERIOR **QUALITY**
WORLD-CLASS **SUPPORT**

ABOUT US

RAISING THE BAR ON YACHT CRANE PERFORMANCE

ABOUT STEELHEAD MARINE

High Performance Yacht Equipment

Steelhead Marine's elegantly designed, high-tech cranes are renowned across the yachting industry, but their ambitions stretch even higher. Through persistence, innovation, and hard work they are aiming to become the leader in advancing hydraulic solutions for the yachting world.

With strong leadership and a dynamic workforce, Steelhead is working to take their innovative products to the next level of sophistication. A diligent sales, engineering, design and build process combined with a close working relationship with their clients ensures Steelhead products will be at the forefront of innovation in the global yacht market.

ABOUT ADVANTEC:

Advantec is a collaboration of brands that specializes in the design, engineering, and manufacturing of a wide variety of marine products. As one of the largest marine manufacturers in the world, with over 150 years of experience collectively from their brands, they have been one of the leaders in innovation and creative manufacturing systems.

BENEFITS OF STEELHEAD MARINE

Engineered for Performance

- Greater lift capacity with less crane weight
- Superior engineering and advanced materials
- Durability, strength and reliability
- Compact and attractive design that puts less space and weight demands on your yacht
- Whisper quiet linear winches use composite rope which is quieter and stronger than steel cable
- Our cranes are proof tested to minimum 110% capacity
- All ES and CT series cranes provided with wireless controls

OUR WARRANTY



We are committed to delivering solutions that meet our customer's requirements. We offer after-sales service and commissioning support for all products sold.

All Non-Powered Equipment:

- Platinum Warranty - 36 months from date of shipment

All Powered Equipment:

- Standard Warranty - 24 months from date of shipment
 - Onsite commissioning required by AdvanTec Marine or certified technician for an additional 12-month extension

Scan for more information
on our warranty



YACHT CRANE ASSEMBLY

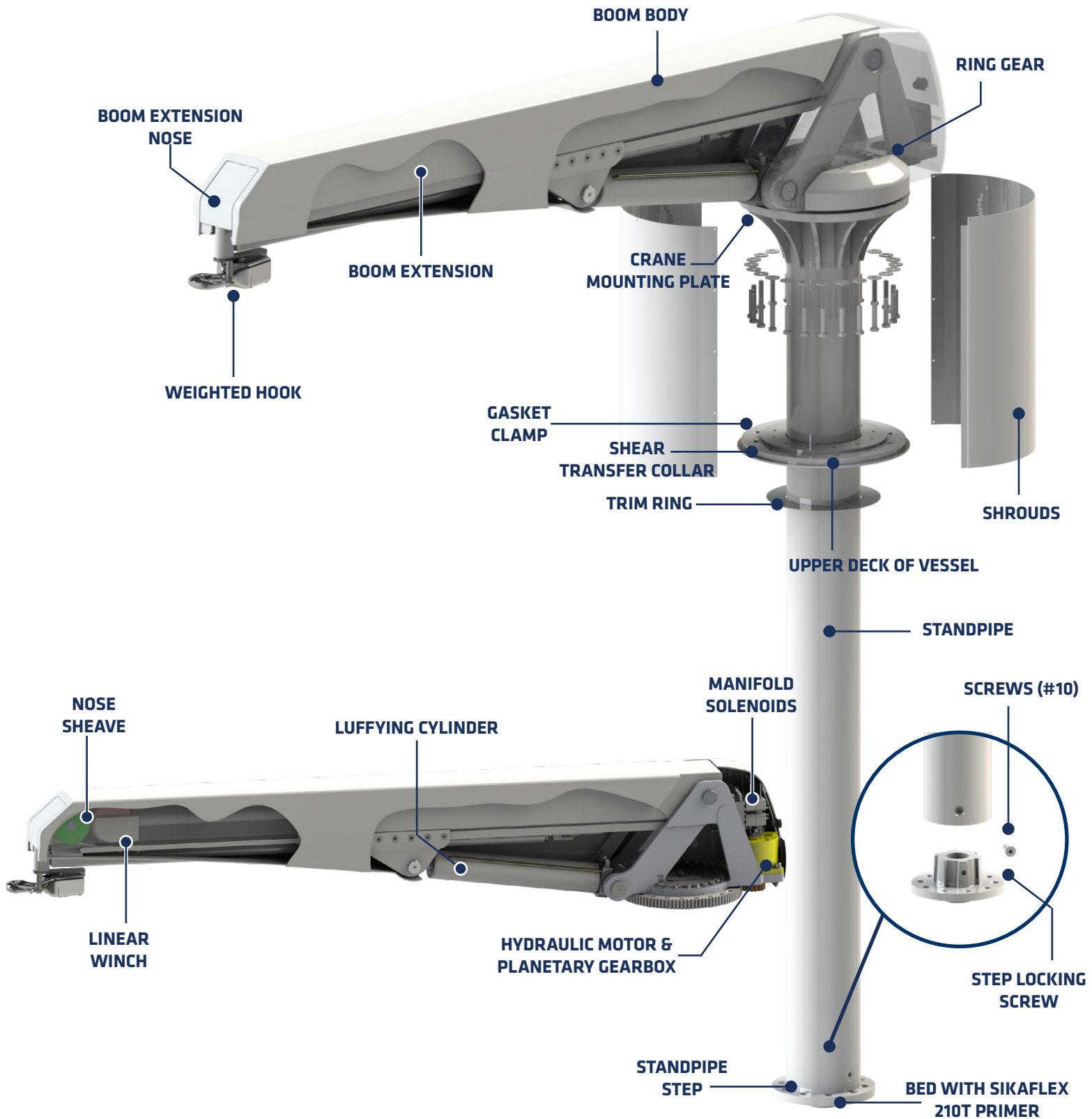



Figure 1a: Standpipe Mounted

BASE VARIATIONS



Figure 1b: Standpipe, Round Base, Square Base

NOTICE TO INSTALLER

Throughout this publication, Warnings and Cautions accompanied by the International Hazard Symbol  are used to alert the manufacturer or installer to special instructions concerning a particular service or operation that may be hazardous if performed incorrectly or carelessly.

OBSERVE THEM CAREFULLY!

These “safety alerts” alone, cannot eliminate the hazards that they signal. Strict compliance to these special instructions when performing the installation and maintenance plus “common sense” operation are major accident prevention measures.



DANGER

Immediate hazards which WILL result in severe personal injury or death.



WARNING

Hazards or unsafe practices which COULD result in severe personal injury or death.



CAUTION

Hazards or unsafe practices which COULD result in minor injury or product or property damage.

NOTICE

Information which is important to proper installation or maintenance, but is not hazard-related.

REQUIRED EQUIPMENT AND TOOLS

This section describes the equipment and tools needed or recommended for the yacht crane installation.

Supplied Equipment List

Your yacht crane comes with the following standard equipment: Crane assembly, complete with:

- bearing assembly installed
- hydraulic and electrical system installed
- composite rope, hook and weight assembly installed
- 360 degree rotary swivel c/w 2 male -6 JIC connections and 3 conductor electric swivel (if required)
- Radio Control
- Owner's Handbook and Installation Manual
- (24) 5/8" x 4" 316 SS FHMS (high strength) c/w nuts, FW & LW

Optional Equipment List

- Customized base assembly (built to your specification)
- OR
- Standpipe assembly containing:
 - 8 5/8" standpipe (adjustable height to suit your requirements).
 - shear transfer collar
 - base socket
 - trim ring
 - Set of shrouds
- Hydraulic power pack, available in 24VDC, 230VAC single phase
- Hydraulic supply manifold (required on load sensing systems)

Recommended Materials (not supplied)

You will need all or most of the following materials for the crane installation:

- (12) 1/2" Flat Head Machine Screw (FHMS) for thru-bolting (sheer transfer collar)
- (10) 5/8" FHMS (standpipe step)
- (6) #10 x 3/4" OHST screws (trim ring)
- Sikaflex 292, Sikaflex 210T primer
- anti-corrosion paste (Tef-Gel)
- marine corrosion control grease
- heat-shrink-type electrical connectors
- 16/3 electrical cable, length as required
- electrical breakers
- deck pad-eye

REQUIRED EQUIPMENT AND TOOLS

Required Tools

You should have the following tools on hand for installation:

- tape measure
- masking tape
- caulking gun
- drill
- portable band saw, or Sawzall power saw
- Phillips screwdrivers
- utility knife
- level
- holesaw
- assorted drill bits
- wire strippers/cutters
- heat shrink tubing and gun
- wet/dry vacuum
- safety goggles and/or face shield

PLANNING THE INSTALLATION

Choosing the Installation method

There are three ways to install the crane:

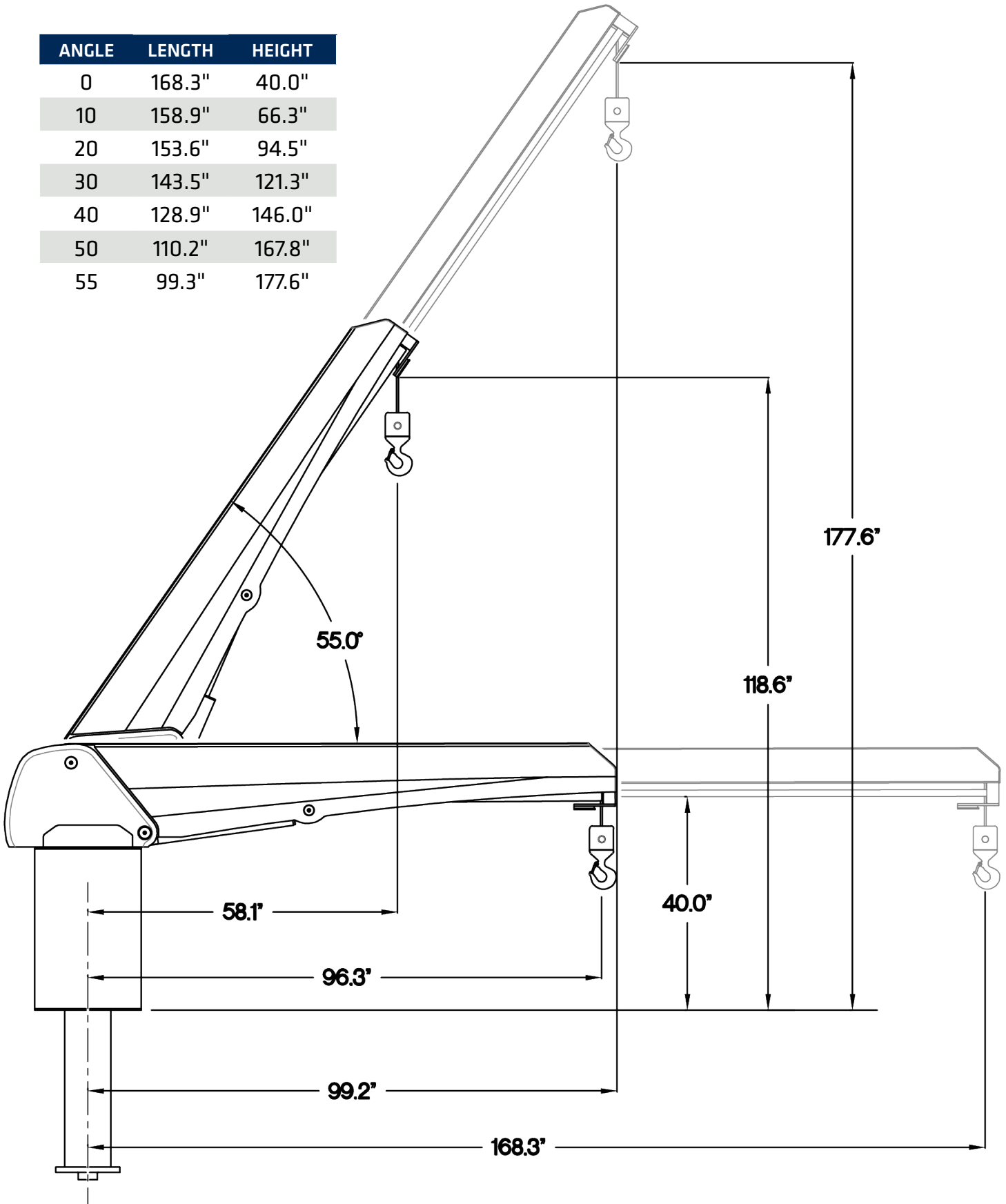
1. **Bolting Directly Onto Deck** – The crane can be bolted directly onto the deck if the yacht structure has been designed and built to accommodate the load. The rotary swivel prevents any hose rotation. A paper template can be supplied if requested.
 2. **Custom Base Assembly** – Steelhead Marine can design and build custom base assemblies to your specific requirements, to be installed by an experienced shipyard. Contact Steelhead for more information.
 3. **Standpipe Assembly** – To install the optional standpipe assembly, see procedure on page 8 (max step to mounting plate height 133 3/4").
 - hatch, railing, and other clearances)
 - deck strength
 - standpipe base location on lower deck
 - accessibility for easy operation and maintenance
2. Determine the balance point of the tender, and mark this balance spot on the deck. The reach requirement of the crane is a horizontal measurement from the optimum crane location to the balance point of the tender.
 3. To ensure the tender does not hit the side of the vessel during a launch and retrieval, allow 9" more than the tender's half beam measurement for clearance (i.e., half the width of the tender).
 4. Check crane hook height vs. reach table at various luffing angles to ensure at least 8" of clearance between the tender and vessel (railings) during operation.
 5. Double-check the reach and height requirements against the specifications of the crane to ensure the crane will meet your installation requirements.

Locating the Crane System

1. Choose the best storage location for your tender considering the following factors:
 - clearance needs to allow for rotation and storage of crane (check walk-around space,

14FT ES 22 REACH

ANGLE	LENGTH	HEIGHT
0	168.3"	40.0"
10	158.9"	66.3"
20	153.6"	94.5"
30	143.5"	121.3"
40	128.9"	146.0"
50	110.2"	167.8"
55	99.3"	177.6"



INSTALLING THE STANDPIPE

INSTALLING THE STANDPIPE

Follow this procedure if you are installing the optional standpipe assembly

NOTICE

There are three parts to the shear transfer collar: a 20" diameter base, a rubber gasket, and an 14 1/4" diameter gasket clamp

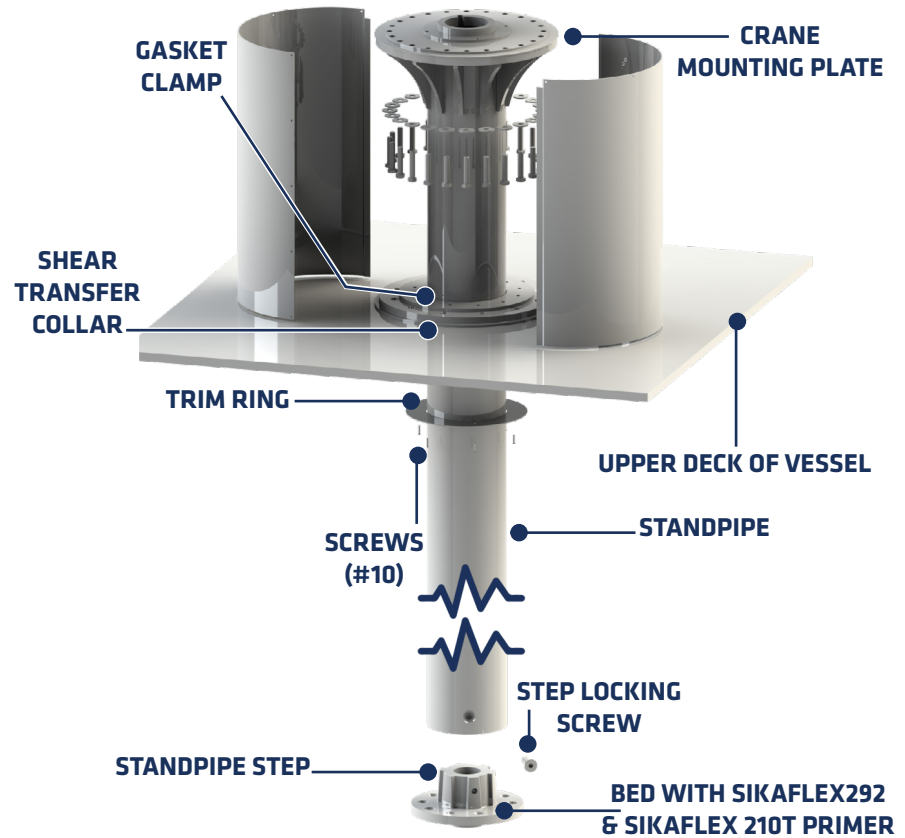


Figure 3: Exploded View of Standpipe

1. Locate the standpipe in the chosen location for the tender and mark its centerline on both upper and lower decks. The standpipe must be installed vertically plumb without contacting the vessel between decks while flexing under load.
2. Drill 1/4" pilot hole in upper deck and re-check centers for clearance. The upper deck must be leveled 90 degrees to standpipe or shroud will have to be trimmed to fit.
3. Cut 9" hole through upper deck.
4. Mount shear transfer collar to upper deck by drilling through the upper deck (twelve 1/2" clearance holes for thru-bolting).
5. Clean deck surface and mount shear transfer collar by bedding with Sikaflex 292 and Sikaflex 210T Primer and installing fasteners through holes on 20" diameter base of collar (using bolts as per Step 4).
6. Seal deck core material and clean off excess sealant.
7. With assistance from below, lower standpipe through collar to lower deck. Mark location of standpipe step on lower deck.
8. On lower deck, drill 3 3/4" hole through center of standpipe step location for standpipe step spigot.
9. Drill ten 2" holes (for small bushings).

NOTICE

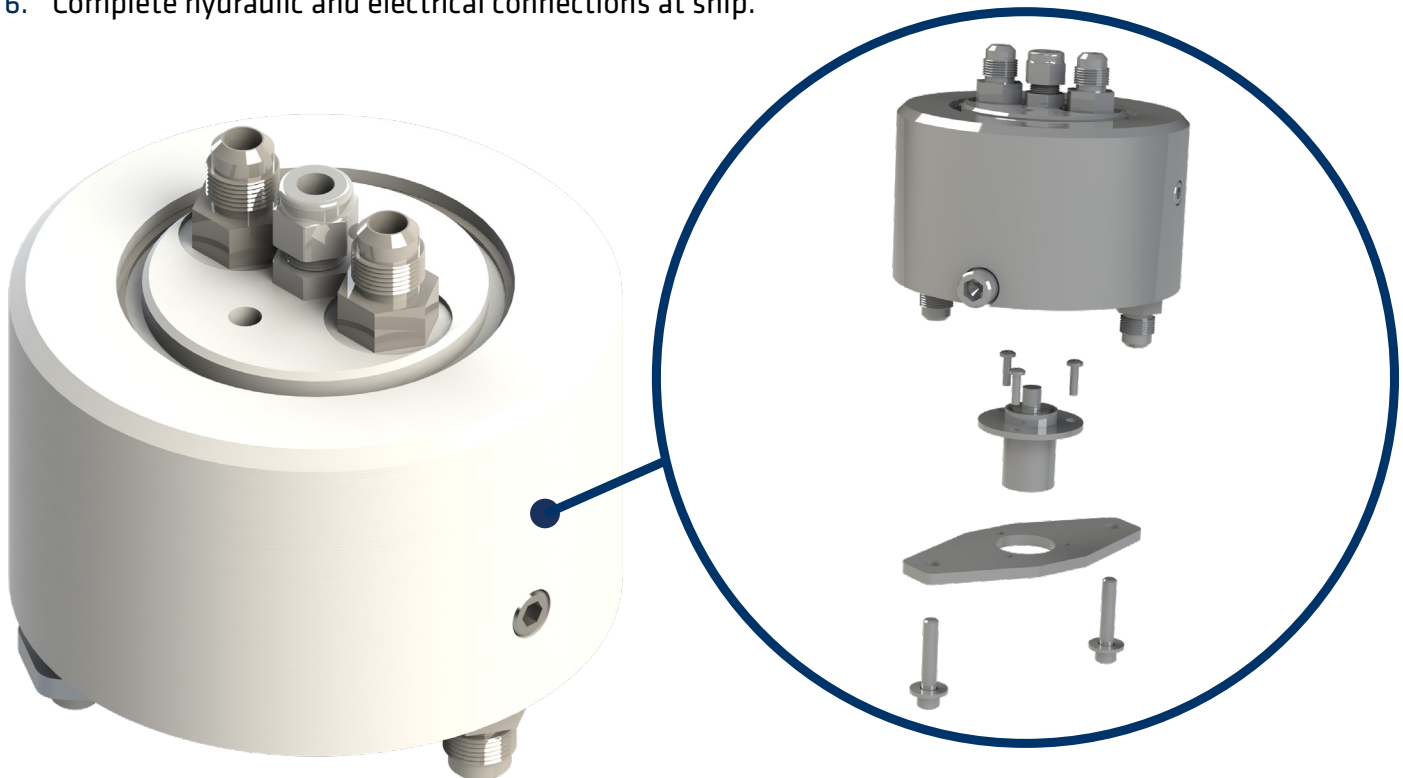
When the standpipe is installed correctly, there will be a 1/4" gap between the shroud and the shear transfer collar. The shroud will be screwed to the underside of the crane mounting plate, but not until the end of the installation. You must take the measurement described in Step 7 when the standpipe is placed over top of the standpipe step on the lower deck. The measurement must be 1/4" longer than the length of the shroud (17 1/4") and the bottom of the standpipe will need to be trimmed accordingly.

10. Seal deck core material as directed by shipyard, chock standpipe step spigot with FRP filler material and bed standpipe step with Sikaflex 292 and Sikaflex 210T Primer.
11. Install step fasteners to secure step onto deck floor.
12. With assistance from below, reinstall standpipe, sliding trim ring over bottom of standpipe before placing over step (the trim ring will attach to ceiling of lower deck). Ensure that the standpipe contacts standpipe step evenly all the way around, with outer lip of step protruding.
13. Drill and tap $\frac{3}{8}$ " bolt through standpipe into step to lock standpipe into position.
14. Secure collar clamp and gasket to shear transfer collar by tightening the twelve $\frac{3}{8}$ " bolts evenly. These bolts compress sealing gasket on collar and lock standpipe into position on upper deck.
15. Mount trim ring to ceiling of lower deck using four screws.

Hydraulic and Electrical Connections

To install the crane's hydraulic and/or electrical connections:

1. Lead two #6 hydraulic lines from ship's hydraulics (or power pack), to top of standpipe mounting plate. Add 12" extra length for connection.
2. Lead 3/16 electrical wire from ship's main breaker and power pack or hydraulic manifold to crane mounting plate. Again, add 12" extra length for connections.
3. Remove access covers from crane assembly base.
4. Lower crane to within 12" of mounting plate (on standpipe, deck, or custom base assembly), then make hydraulic connections by connecting pressure line to P port on hydraulic swivel.
5. Complete electrical connections as per wiring diagram on page 10, and use heat shrink to seal connections from corrosion.
6. Complete hydraulic and electrical connections at ship.



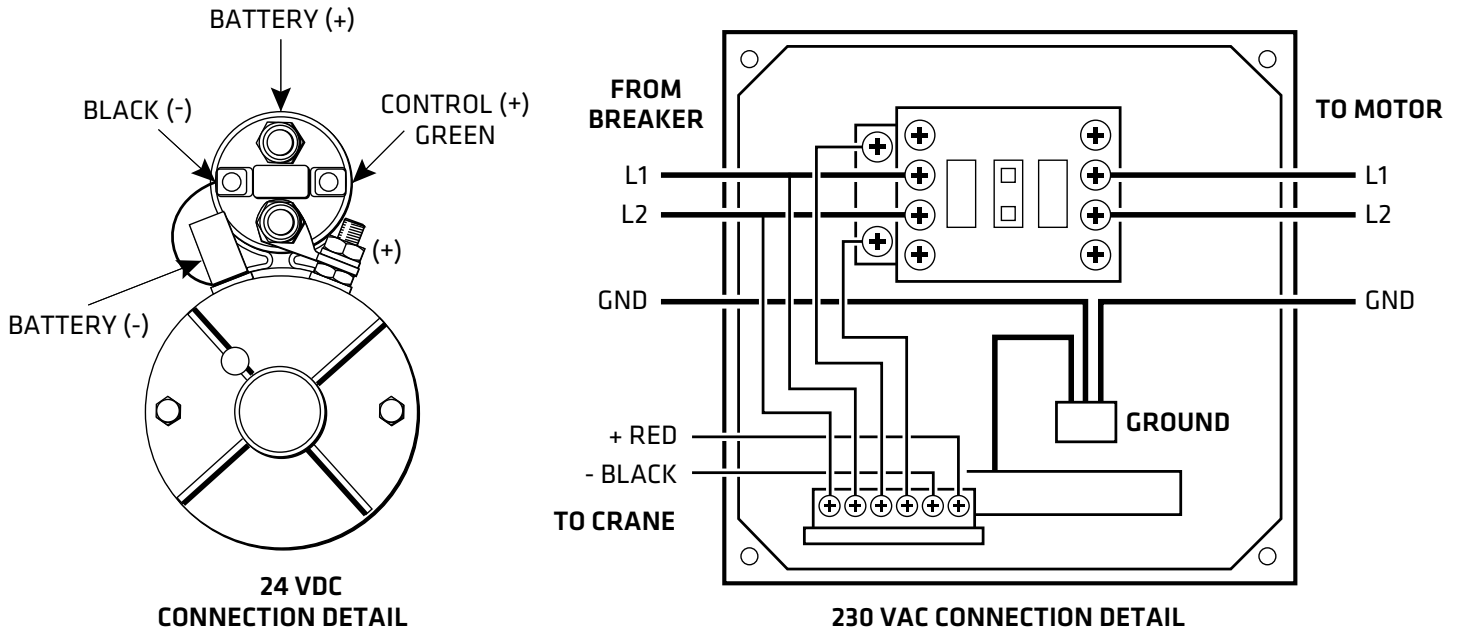


Figure 6: Wiring Connections

Completing and Testing the Installation

To complete and test the installation of the crane:

1. Lower crane onto mounting plate, ensuring that the hydraulic swivel fits correctly into the 4 3/4" diameter hole and retaining notch in center of mounting plate.
2. Install 24 mounting bolts, 5/8" x 3 1/2", and torque to recommended values (see below).
3. Retract both hydraulic cylinders. Fill hydraulic reservoir tank with AW 32 Hydraulic Oil.
4. Test crane as follows:
 - Turn breakers on momentarily.
 - Ensure power unit turns on.
 - Check all wiring.
 - Check hydraulic source and ensure correct pressure from pressure port.
 - Turn on control breaker.
 - Lightly touch each button on the pendant hand control to make sure crane moves appropriately.
5. When systems are confirmed correct, recheck oil level in reservoir and refill to 1" level.
6. Rotate crane 90° and turn power off.
7. Install eight remaining mounting bolts (5/8" x 3 1/2") on crane mounting plate and tighten as previously directed. (Crane always covers eight bolts, so crane must be rotated to expose them.)
8. Reinstall crane access covers.
9. Slide shroud over the crane mounting plate and attach it to the underside of the plate using 8/32" screws. Use Tef-Gel where stainless screws contact painted aluminum surfaces to prevent paint blistering and corrosion.
10. During shipment, air may have collected in hydraulic system. To bleed, operate all boom functions through their full travel capacity 3 or 4 times, using pendant hand control. This will remove any air in the system.
11. Recheck oil level in reservoir to ensure 1" level has been maintained.

Bolt Torquing Recommendations

1. Use thread lubricant (ie. moly disulfide grease) on threads before beginning to torque bolts.
2. Apply snugging torque of 50 lb-ft in a cross or star pattern.
3. Optional: Apply torque of 75 lb-ft in a second pass using same order.
4. Apply final torque of 100 lb-ft using the same order.

OPERATING INSTRUCTIONS

OPERATING INSTRUCTIONS

Misuse of the crane may result in injury or death.

Always follow carefully these safety cautions:

- Never load the crane system beyond its capacity.
- Be sure the area around and under the tender is clear of people and obstacles before lowering, including lower decks and water level.
- Turn radio control on.
- Ensure all passengers leave tender before raising and lowering—this crane is not a personnel lift.
- Position the crane directly over the load when operating—the crane is designed for vertical hoisting only.
- Do not launch or retrieve a tender in rough sea conditions, or while underway.
- Be aware that yachts tend to list when launching a tender. Use caution when rotating a load.
- Do not allow children to operate the crane.
- Keep hands away from all moving parts.
- Turn the crane's power supply off when not in use.
- Detach crane from tender and retract boom to stow.
- Detach pendant control when not in use.



WARNING

REVIEW BEFORE OPERATING.

Operating Procedure

- Turn on hydraulic supply by:
 - activating the ship's hydraulics, OR
 - turning on the ship's main breaker to supply the crane's power pack.
- Remove waterproof plug on crane body and plug in pendant control.
- Disconnect weighted hook from hook hanger and allow it to hang freely.
- Attach the tender's lifting bridle to the weighted hook. Using the pendant control, position the lifting bridle to enable attachment to the tender.
- Raise the lifting bridle just enough to remove any slack from the cables. Check all attachments to the tender.
- Remove the tender's attachments to the deck, and ensure the tender's drain plug is installed.
- Attach the handling lines to the bow and stern of the tender.
- Raise the tender high enough to clear all deck obstructions and railings.
- Rotate the load outboard, controlling the tender position with bow and stern lines.
- Lower the load to the water. Pay out enough cable so that the tender does not load the cable and crane as it rides waves or swells.



WARNING

Hook must be in stored position on hook hanger before operating the crane.


CRANE STORAGE

To properly store the crane after use:

1. Retract boom extension.
2. Luff crane to horizontal position into boom checks.
3. Pay in the rope completely and install hook into hook hanger under the boom nose .

MAINTENANCE

Maintenance Schedule (please refer to Figure 1a)

 WARNING		Monthly	Quarterly	Annually	As Required
<p>Death, injury, or damage may result if the crane's cable is not inspected regularly, and replaced as needed.</p> <p>Counter balances have been factory set for optimal performance; crane safety may be jeopardized by unauthorized adjustments.</p> <p>If the boom is in a 62° position during maintenance, the boom must be supported to prevent injury to personnel.</p>	Inspect main hoist cable. Replace upon first sign of frays, fish hooks, flattening, kinks, corrosion, audible pinging or snapping sounds.	✓			
	Inspect all cables and hydraulic hoses and fittings. Replace at first sign of corrosion or excessive wear.	✓			
	Inspect crane and its hardware components for signs of damage or malfunctioning parts.			✓	
	Touch-up any paint damage to preserve the crane's finish.				✓
	Wash crane with soap and water including top sheave and manifold area.	✓			
	When cleaning the crane, inspect for hydraulic leaks at the power unit and cylinders. Tighten the fittings as required to stop any leaks.	✓			
	Inspect and lubricate the crane rotation bearings.		✓		
	Inspect the sheaves.	✓			
	Service the hydraulic system annually or after 50 hours of use, whichever comes first.			✓	
	Maintain fluid levels at 1" below the top of the reservoir on the crane power unit. Use AW-32 or equivalent non-foaming hydraulic fluid only.				✓
Apply white lithium grease between the rotation gear (ring gear) and pinion gear.			✓		

TROUBLESHOOTING

PROBLEM	PROBABLE CAUSE	SOLUTION
Boom will not extend	Wrong button pressed	See Figure 7 on Page 27
Crane will not luff	No power (control)	Turn control breaker on
Crane will not rotate	No power (ships hydraulic) or No power (powerpack)	Is engine driving the hydraulics running? Turn control breaker or reset if req.
	Breaker (fuse) blown	Check Breaker.
	Pendant Control connection (loose) Battery Connection (loose)	Check all connections (ship side). Call electrician if it persists.
	Low hydraulic oil	Check for leaks and oil level top up if necessary
	Hydraulic control valve (not shifting)	Clean or Replace cartridge valve. Call dealer for instructions
	Control solenoid burnt out	Replace solenoid. Call dealer for instructions
Linear winch does not raise or lower	Wrong button pressed	See Figure 7 on Page 27
	Hook still attached to hook hanger	Disconnect
	Tender not disconnected	Fully extend boom until locking pin engages
	Overload on crane	Release tender tie downs
	Hook travel exceeded	Check tender for equipment and excess water
	Cable jammed inside linear winch	Max travel 20' hook retracts to within 8" of outer sheave Call Dealer for service or instructions
Winch does not hold weight	Hydraulic components need servicing	Call Dealer for service or instructions
Boom settles under load	Hydraulic components need servicing	Call Dealer for service or instructions
Boom rotates when not under power	Hydraulic components need servicing	Call Dealer for service or instructions

Customer Service

For service, contact the dealer from which you purchased the yacht crane. Contact information is on page 30 of this manual.

SPECIFICATIONS

Electrical System

- The control system is available as 24 volt, 3 amps
- Hand held pendant with cable provides 2-way, 4-function control and connects to crane body with waterproof plug and cap. Low voltage output automatically starts hydraulic power pack or ship's hydraulics.

Hydraulic System

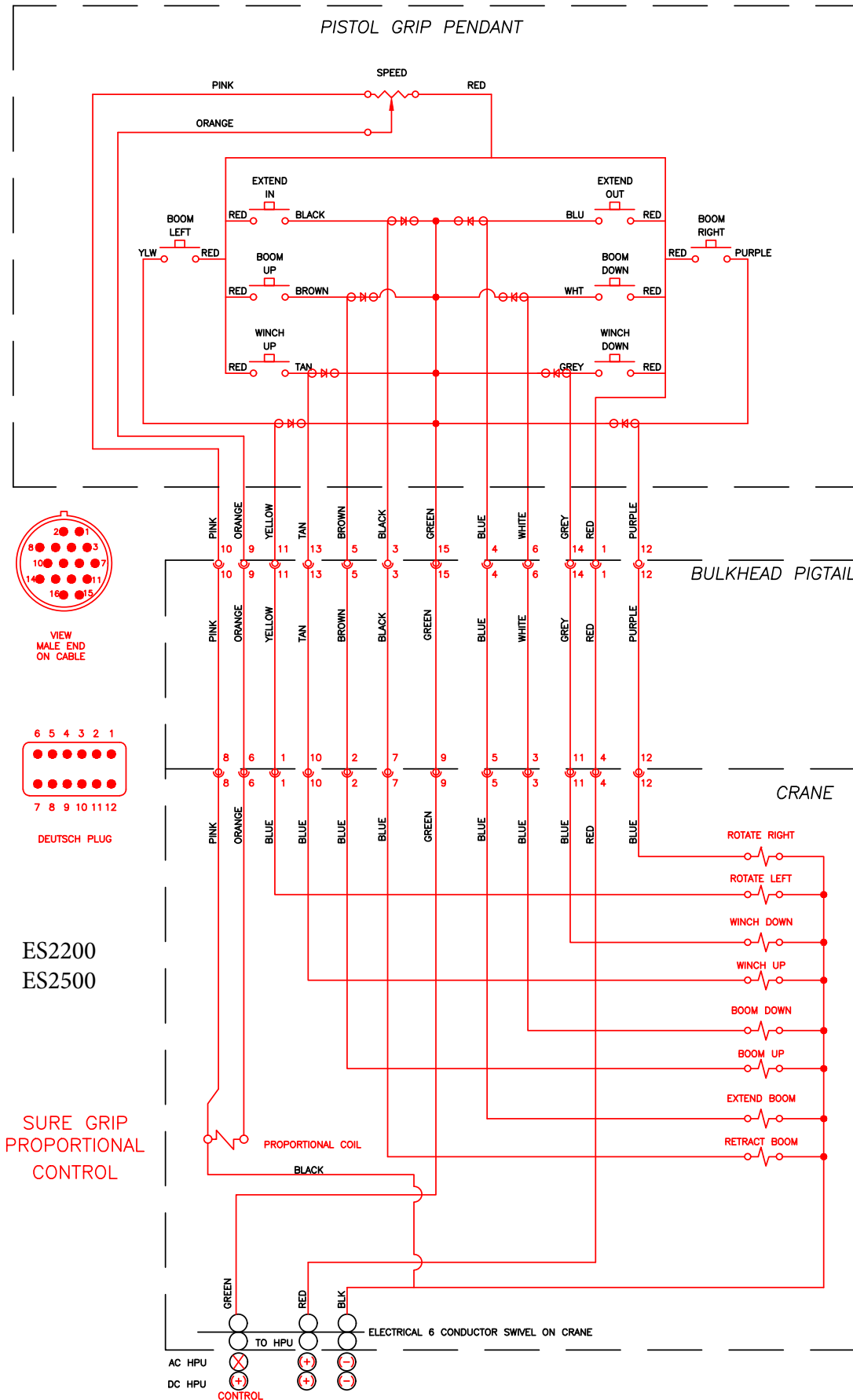
- Operational pressure is 2,500 psi.
- Hydraulic power is supplied by ship's hydraulics or Steelhead Marine power packs, which are available in the following voltages:
- 24 volt DC, High output, 208 amps
- **Slewing** – rotation is powered by a hydraulic motor driving a pinion gear on the main bearing. The motor is counterbalanced to lock when not operational.
- **Luffing** – boom elevation, a hydraulic cylinder with counterbalance valve locks boom at any angle between 0 and 64 degrees.
- **Winch** – 6 to 1 linear winch provides quiet lowering and hoisting.

Equipment Dimensions

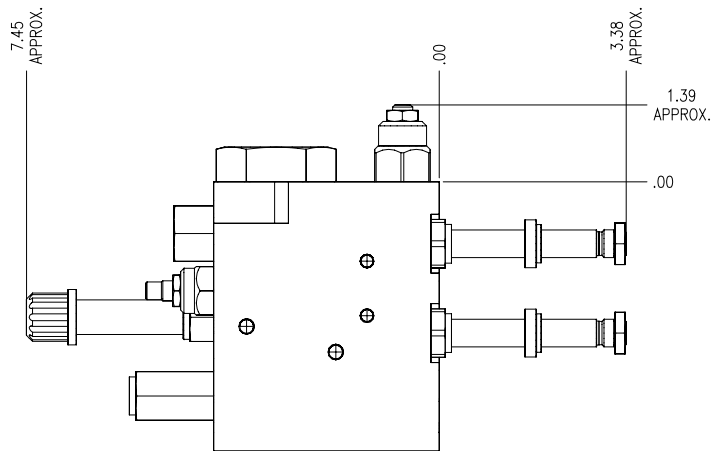
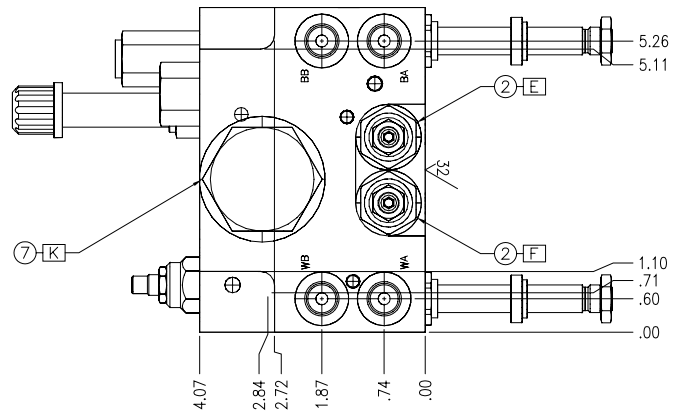
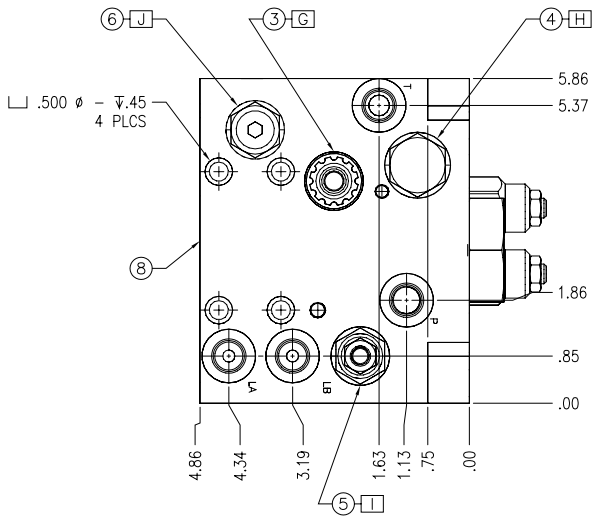
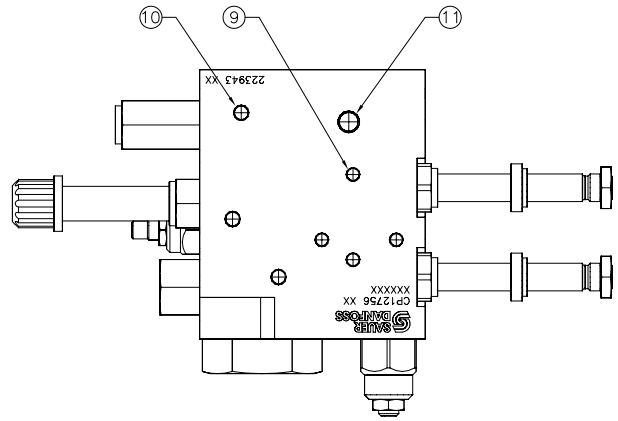
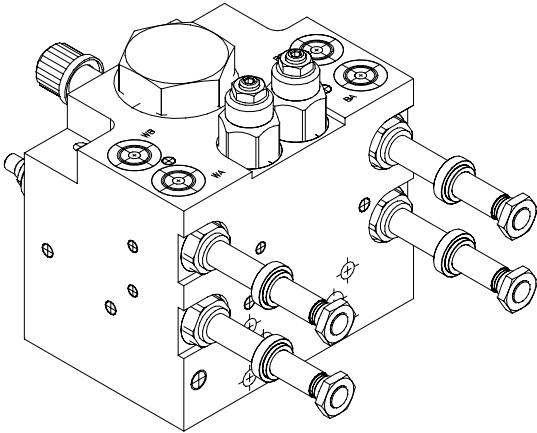
	HEIGHT	WIDTH	LENGTH	WEIGHT
Hydraulic power pack, 24VDC	8 3/8"	9 3/8"	37"	52 lb
Hydraulic power pack, 230VAC	19" (11")	12"	40"	100 lb
Standpipe assembly	132" max. O/A	8 5/8" diameter		200 lb
Shroud and transfer collar	18"	20" diameter		20 lb
Control cable			20'	
Shipping Crate				150 lb

APPENDIX

APPENDIX - WIRING DIAGRAM



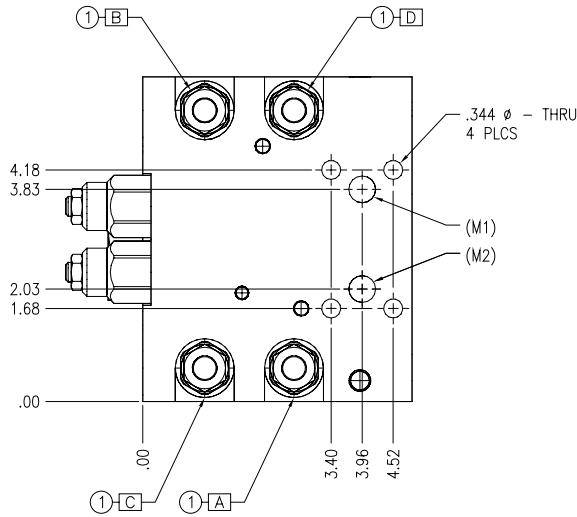
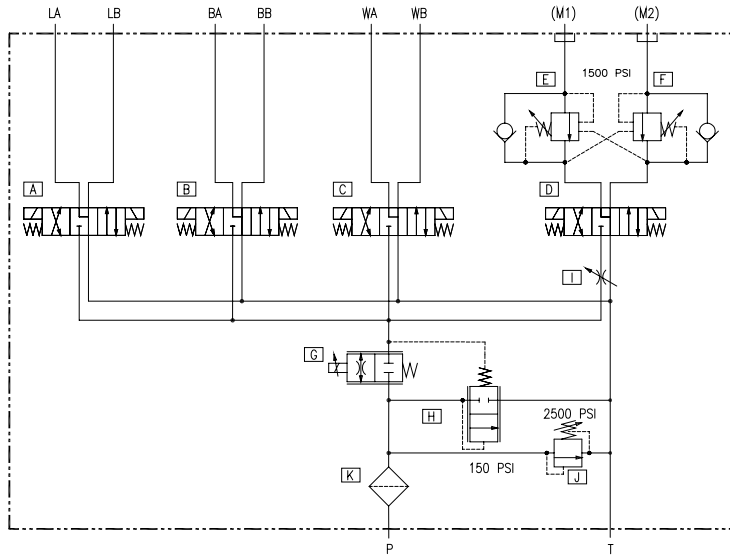
APPENDIX – MANIFOLD



NOTES:

1. ALL PORTS SIZES ARE #6 SAE.
2. STAMP PART NO., REV# & DATE UNDER LOGO.
3. INSTALL EXPANSION PLUGS PER PC26.
4. INSTALL CARTRIDGES PER PC11.
5. TEST PER TEST PROCEDURE CP12756.

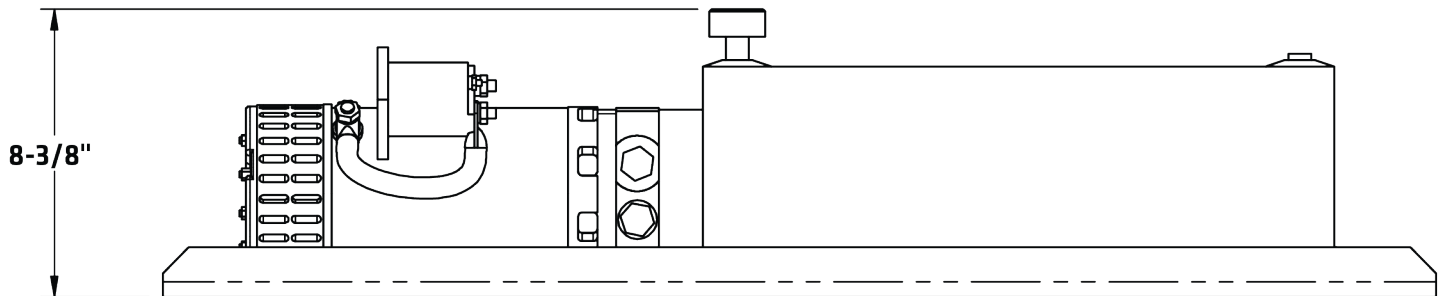
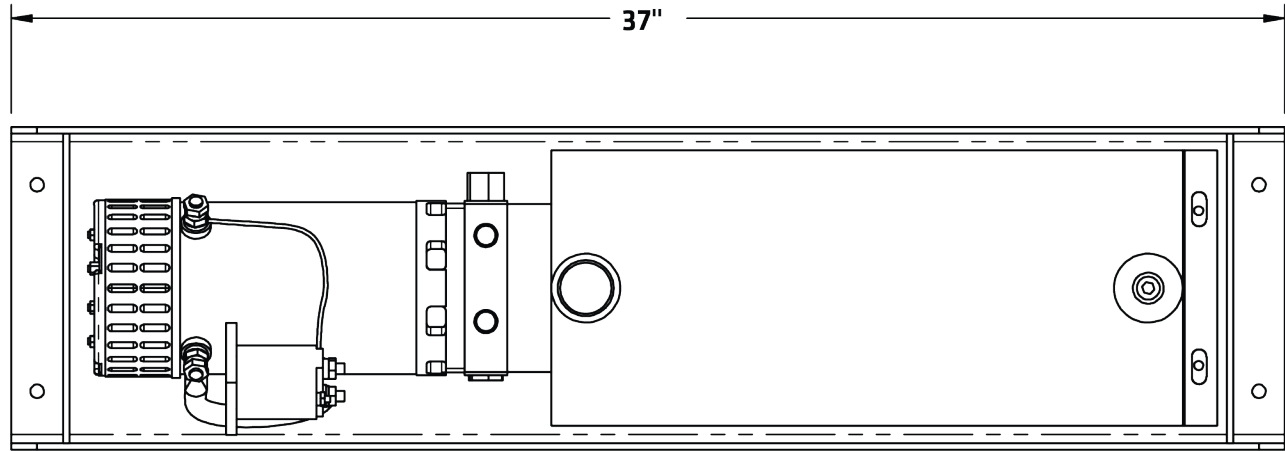
APPENDIX – MANIFOLD



	11	4	322804	10MM STAINLESS STEEL EXP. PLUG
	10	11	321451	.281# STAINLESS STEEL EXP. PLUG
	9	15	321450	.250# STAINLESS STEEL EXP. PLUG
	8	1	223943	BODY
[K]	7	1	CPF20-3-B-0-PN-10	20-3 CAVITY FILTER
[J]	6	1	CP208-1-B-0-A-250	RELIEF VALVE
[I]	5	1	CP618-A05-B-0-E	NEEDLE VALVE
[H]	4	1	CP700-1L-B-0-150	DIFFERENTIAL SENSING VALVE
[G]	3	1	CP518-P1-U-0-4-000-0	PROPORTIONAL VALVE
[E][F]	2	2	CP440-A11-B-0-E-B-150-4.5-015	COUNTER BALANCE VALVE
[A][B][C][D]	1	4	CP538-3P-U-0-5-000-0	SOLENOID VALVE
CARTRIDGE CODE	ITEM	QTY	P/N: 13996	DESCRIPTION

APPENDIX - HPU

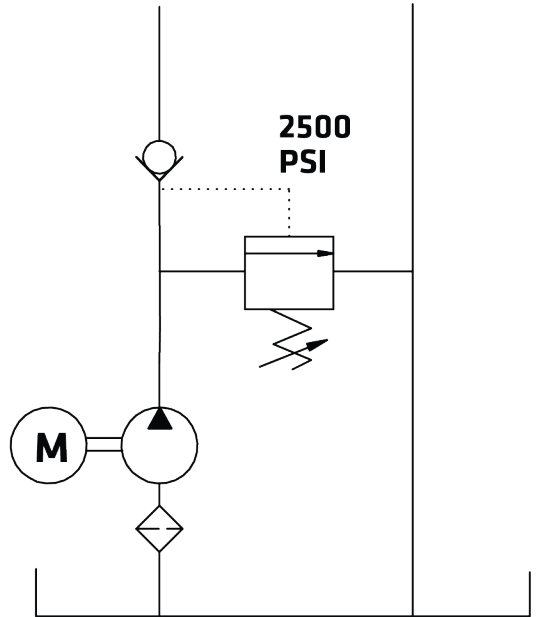
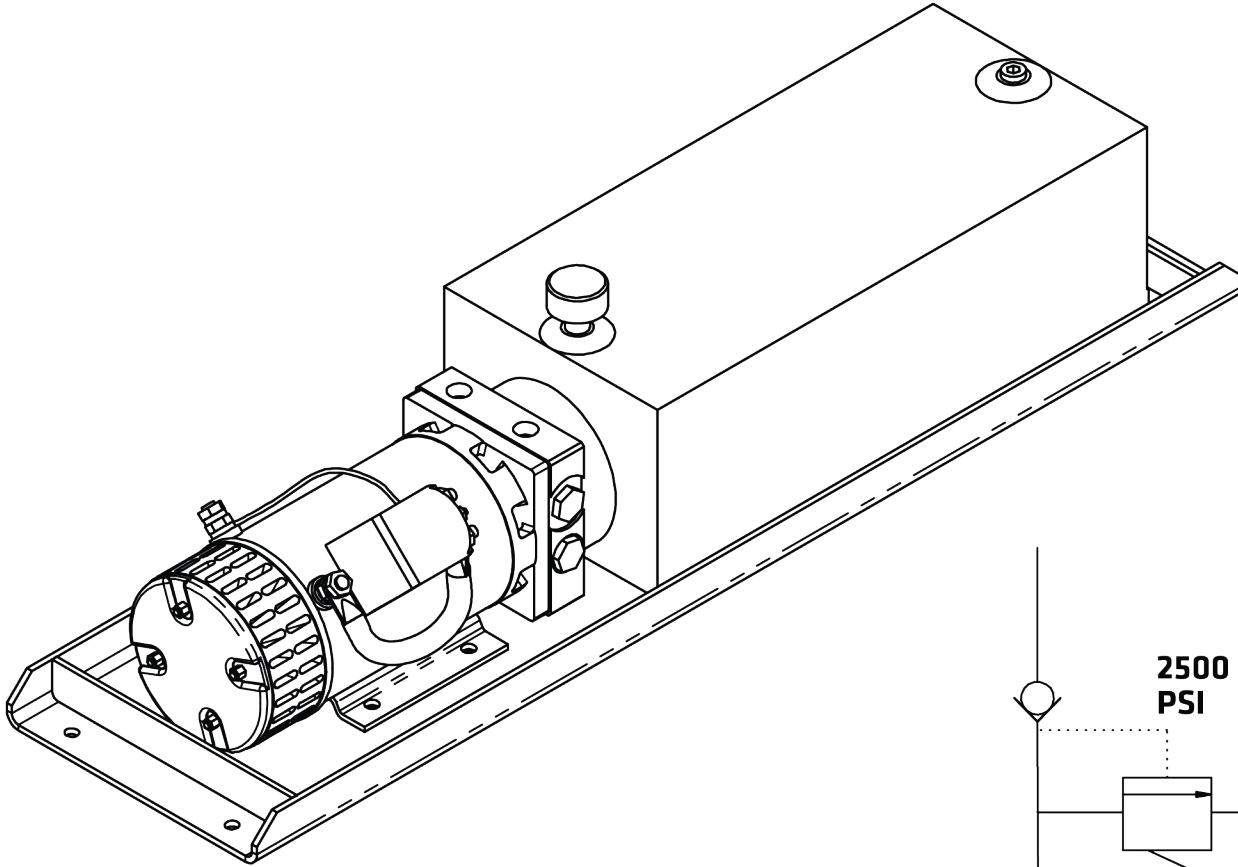
24V DC HIGH OUTPUT HPU
MOUNTED TO DRIP TRAY



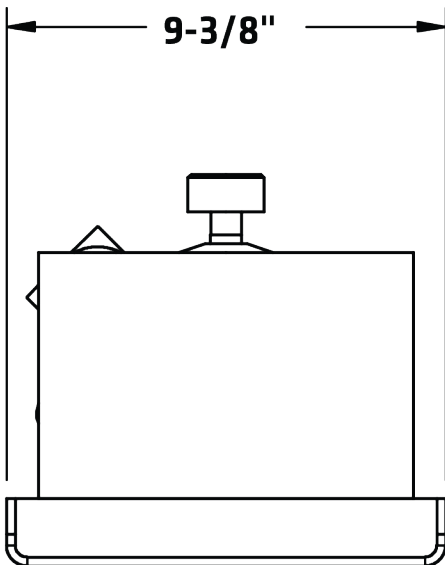
SPECIFICATIONS:


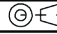
- 24V DC 125A STANDARD DUTY MOTOR
- 160A MAX CURRENT DRAW
- 0.122 CU.IN./REV. PUMP (2.0cc/Rev)
- 2.2 GPM @ 2000PSI
- 2500 PSI PRESSURE RELIEF
- 4 GALLON CAPACITY STEEL RESERVOIR
- HORIZONTAL PLUMBING KIT
- MASS = 55LBS WITHOUT OIL

APPENDIX - HPU

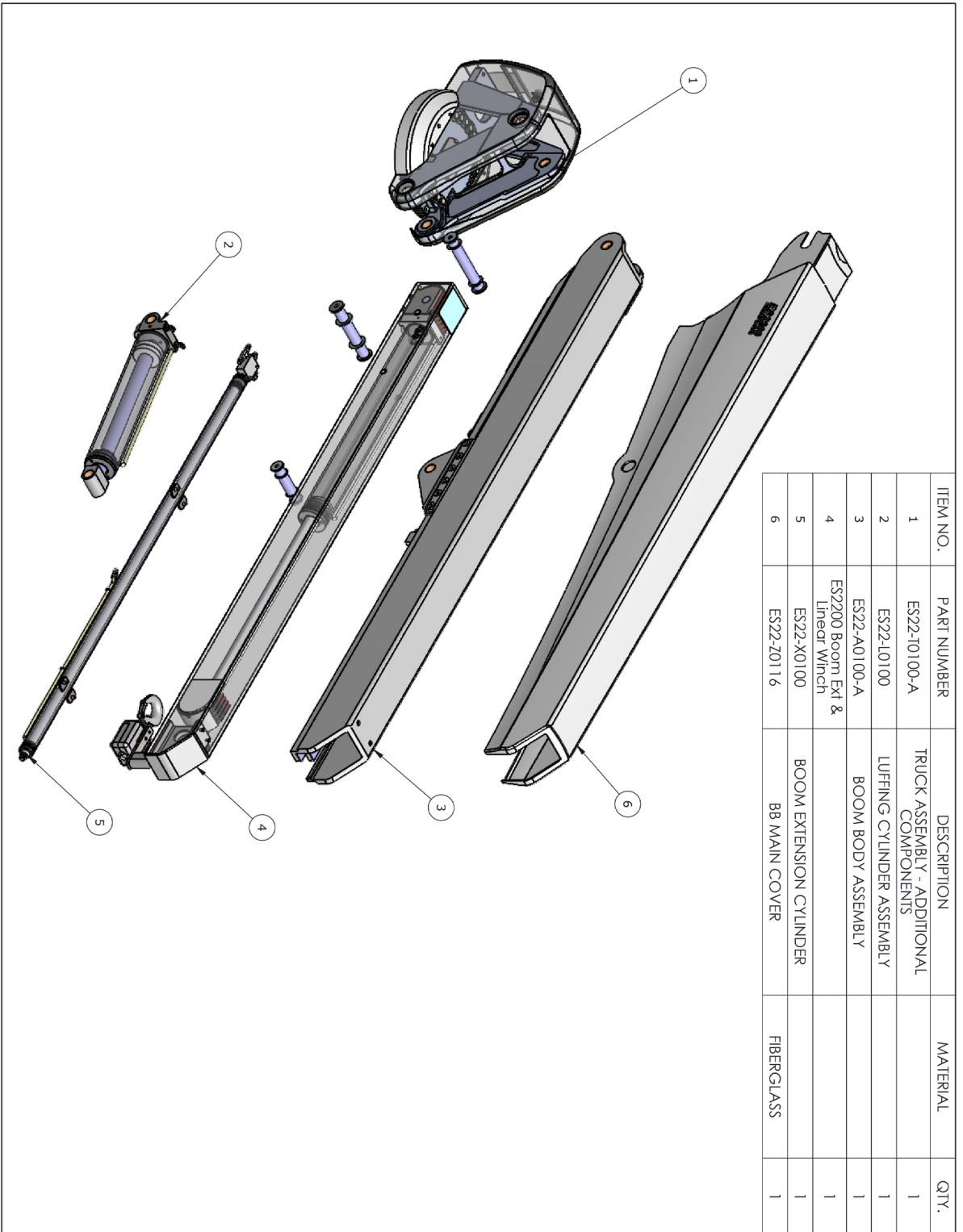


HYDRAULIC SCHEMATIC



<small>THE INFORMATION CONTAINED IN THIS DRAWING CONSTITUTES THE INTELLECTUAL PROPERTY, INCLUDING, BUT NOT LIMITED TO, KNOWLEDGE, TRADE SECRETS, AND PROPRIETARY INFORMATION WHICH IS THE EXCLUSIVE PROPERTY OF STEELHEAD MARINE LTD.. ALL INFORMATION CONTAINED IN THIS DRAWING IS TO BE HELD IN THE STRICTEST CONFIDENCE BY THE RECIPIENT, AND IS NOT TO BE COPIED, DISCLOSED TO, OR TRANSMITTED TO ANY THIRD PARTIES WITHOUT THE EXPRESS WRITTEN AUTHORIZATION OF STEELHEAD MARINE LTD.</small>			
CAD GENERATED DRAWING. DO NOT MANUALLY UPDATE. *** DO NOT SCALE *** UNLESS OTHERWISE SPECIFIED ALL DIMENSIONS ARE IN INCHES. TOLERANCES: FRACTIONS = ±1/16 0, 0.0 = ±0.030 0.00 = ±0.010 0.000 = ±0.005 ANGLES = ±1.0		 STEELHEAD MARINE 2 - 5367 271 Street, Langley, B.C. Canada Tel: 604-826-1668 Fax: 604-826-9992 Web: www.steelheadmarine.net E-mail: sales@advancedmarinetechnologies.com	
DRAWN:	G.R.	24V HIGH OUTPUT HPU MOUNTED TO DRIP TRAY PROJECT: SM/CT2500	
DATE:	03/27/2014		
CHECKED:		DWG. NO.:	SHEET:
APPROVED:		SHAR-U1050	1 OF 1
3rd ANGLE PROJ.		SCALE:	1:8
			REV.:

APPENDIX - EXPLODED VIEW



ITEM NO.	PART NUMBER	DESCRIPTION	MATERIAL	QTY.
1	ES22-10100-A	TRUCK ASSEMBLY - ADDITIONAL COMPONENTS		1
2	ES22-L0100	LUFFING CYLINDER ASSEMBLY		1
3	ES22-A0100-A	BOOM BODY ASSEMBLY		1
4	ES2200 Boom Ext & Lineart Winch	BOOM EXTENSION CYLINDER		1
5	ES22-X0100	BOOM EXTENSION CYLINDER		1
6	ES22-Z0116	BB MAIN COVER	FIBERGLASS	1

REVISIONS			
REV.	DESCRIPTION	BY	DATE

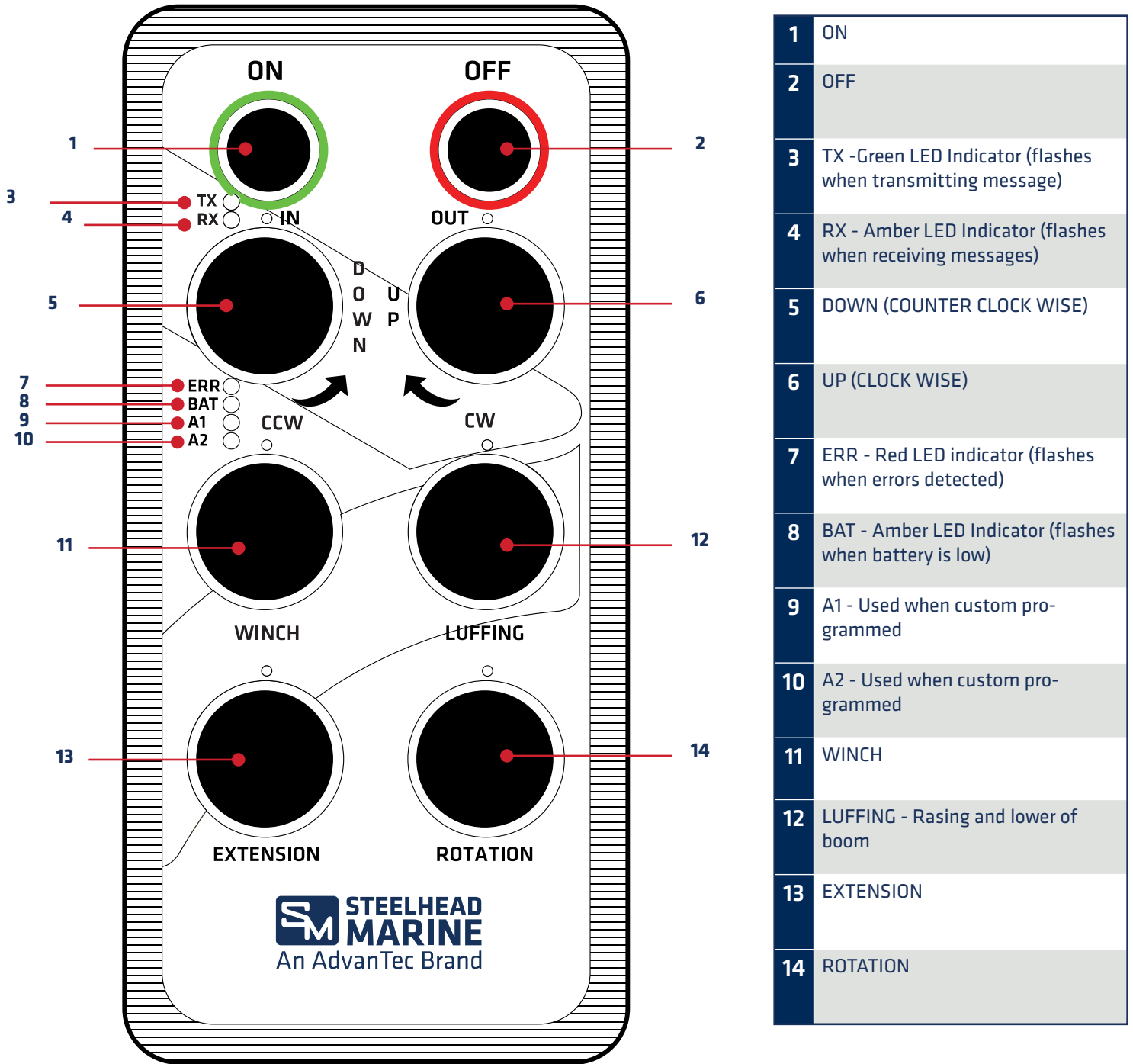
GENERAL NOTES



ES 2200 EXPL

SCALE	1:25	DATE	2022-09-13
FORM NO.	ES2200 ASSEMBLY	SHEET	1
		REV	

SM-1 CONTROLLER



1	ON
2	OFF
3	TX - Green LED Indicator (flashes when transmitting message)
4	RX - Amber LED Indicator (flashes when receiving messages)
5	DOWN (COUNTER CLOCK WISE)
6	UP (CLOCK WISE)
7	ERR - Red LED indicator (flashes when errors detected)
8	BAT - Amber LED Indicator (flashes when battery is low)
9	A1 - Used when custom programmed
10	A2 - Used when custom programmed
11	WINCH
12	LUFFING - Rasing and lower of boom
13	EXTENSION
14	ROTATION

Figure 7: SM-1 Controller

Crane Storage

To properly store the crane after use:

1. Retract boom extension.
2. Luff crane to horizontal position into boom checks.
3. Pay in the rope completely and install hook into hook hanger under the boom nose

HIGH PERFORMANCE YACHT CRANES

Steelhead Marine cranes are found on the finest yachts and superyachts around the world.

Whisper Davits

Whisper-quiet, low lift requirements, compact, sleek, and dual function davits.



E Series

Lightweight aluminum crane with standard two function (luffing & lifting) operation, lifting capacity 1000 to 1750 pounds. Optional upgrades for wireless controller with three or a full four function operation.



ES Series

Lightweight, super efficient, low profile European design with four-function hydraulics.



CT Series

Heavy duty four function hydraulic cranes with live telescoping boom extension and proportional controls.



LDC Series

Lay-down five function hydraulic cranes with live telescoping boom extension and second luffing function. This series is completely custom built to meet individual needs.



SM-1 CONTROLLER

* AVAILABLE WITH THE PURCHASE OF ANY OF OUR ES AND CT SERIES CRANES



PLUG & PLAY

FAST INSTALLATION
LESS THAN 5 MINS

LONGER RANGE

HIGHER FREQUENCY
COVERS OVER 100 FT AWAY

COMPACT DESIGN

FITS THE PALM OF YOUR HAND
CAN USE ONE FINGER TO OPERATE

KEY FEATURES



IP67 RATED



AAA BATTERIES



WIRELESS



MADE IN THE USA

STEELHEAD MARINE'S HIGH PERFORMANCE YACHT CRANE LINE

SERIES	HYDRAULIC FUNCTIONS	OPTIONS	MODEL	CAPACITY		REACH		HOIST		RETRACTED LENGTH		WEIGHT		IDEALLY SUITED FOR VESSELS	
				LBS	KG	FT	M	FT	M	FT	M	LBS	KG	FT	M
WHISPER DAVITS	Hoisting Power Luffing	Pedestal Base Standpipe Mount 12 or 24V DC power	WD600	600	363	8	2.4	17	5.2	NA	NA	215	98	< 50	< 15
			WD800	800	363	8	2.4	17	5.2	NA	NA	215	98	< 50	< 15
			WD1000	1000	454	8	2.4	17	5.2	NA	NA	235	107	< 50	< 15
E SERIES	Hoisting Luffing	Power Rotation Power Extension Pedestal Base Standpipe Mount	E1000	1000	454	10	3.0	16	4.9	6	1.8	384	174	<55	<17
			E1100	1100	500	10	3.0	16	4.9	6	1.8	369	167	<55	< 17
			E1500	1500	680	12	3.7	20	6.1	7	2.1	582	263	55 – 70	17 – 21
			E1750	1750	794	12	3.6	20	6	7	2.1	610	276	> 70	> 21.3
ES SERIES	Hoisting Luffing Rotation Extension	Radio Controlled Pedestal Base Standpipe Mount	ES1000	1000	454	10	3.0	16	4.9	6	1.8	384	174	< 55	< 17
			ES1100	1100	500	10	3.0	16	4.9	6	1.8	384	174	<55	< 17
			ES1500	1500	680	12	3.7	20	6.1	7	2.1	602	273	55 – 70	17 – 21
			ES1750	1750	794	12	3.6	20	6	7	2.1	630	285	> 70	> 21.3
			ES2200	2200	1000	14	4.3	22	6.7	8	2.4	1150	521	> 70	20
			ES2500	2500	1131	14	4.3	22	6.7	8	2.4	1150	521	>70	20
CT SERIES	Hoisting Luffing Rotation Extension	Radio Controlled Fixed Boom 230V AC Power or Ship's Hydraulics Pedestal Base Standpipe Mount Custom Reach Available	CT2000	2000	907	18	5.5	24	7.3	12	3.7	1050	476	> 70	> 21
			CT2500	2500	1134	18	5.5	24	7.3	12	3.7	1150	522	> 70	> 21
			CT3000	3000	1361	16	4.9	24	7.3	11	3.4	1150	522	> 70	> 21
			CT3500	3500	1588	20	6.1	24	7.3	13	4.0	1700	771	>70	> 21
			CT4000	4000	1814	20	6.1	30	9.1	12.5	3.8	2100	953	>70	> 21
			CT5000	5000	2268	20	6.1	30	9.1	12.5	3.8	2400	1089	>70	> 21
			CT6000	6000	2722	20	6.1	30	9.1	12.5	3.8	2600	1179	>70	> 21

REMOTE CONTROLLER SPECS

WD CONTROLLER



8-BUTTON CONTROLLER WITHOUT TRIGGER



8-BUTTON CONTROLLER WITH TRIGGER



MICRO CONTROLLER (KARTECH)



WIRED - 6' LANYARD 4-BUTTON:

- ON/OFF (NON-PROPORTIONAL)
- 2 FUNCTION CONTROLLER:**
- ROPE (WINCH)
 - LUFFING

WIRED - 15' LEAD 8-BUTTON:

- ON/OFF (NON-PROPORTIONAL)
- 4 FUNCTION CONTROLLER:**
- ROPE (WINCH)
 - ROTATION
 - LUFFING
 - EXTENSION

BEST USED AS SECONDARY BACK UP CONTROLLER

WIRED 15' OR 20' LEAD 8-BUTTON:

- PROPORTIONAL
- 4 FUNCTION CONTROLLER:**
- ROPE (WINCH)
 - ROTATION
 - LUFFING
 - EXTENSION

BEST USED AS SECONDARY BACK UP CONTROLLER

WIRELESS IP 67 RATED 8-BUTTON:

- ON/OFF (NON-PROPORTIONAL)
 - CLONEABLE TRANSMITTER
(CAN HAVE MORE THAN ONE CONTROLLER PER RECEIVER)
- 4 FUNCTION CONTROLLER:**
- ROPE (WINCH)
 - ROTATION
 - LUFFING
 - EXTENSION

**WD600, WD800,
WD1000**

**E1000, E1100,
ES1000, ES1100**

**ES1500, CT3500,
ES1750, CT4000,
CT2000, CT5000,
CT2500 CT6000**

**WD 600, WD 800,
WD 1000, ES 1000,
ES1100**

FEATURES

APPLICATION

SERVICE & SUPPORT

At AdvanTec Marine, We Support What We Sell!

We're more than a manufacturer of innovative marine products. We offer a range of technical support services for our products post-purchase. See below for some of our service offerings.

MAINTENANCE & REPAIRS:

- Davits/Cranes
- Doors - Automatic & Manual Doors
- Windows & Glass
- Hatches
- Onsite Diagnostics
- Machine Shop Services

INSPECTIONS & CONSULTING:

- OEM Inspections
- Installation Support & Oversight
- Weather & Watertight Testing
- Product Commissioning & Testing
- *Extended Warranty Qualification
- 24/7 Remote Technical Support

CONTACT INFORMATION

Steelhead Marine Service Representatives

Worldwide / Canada / USA

AdvanTec

43676 Progress Way
Chilliwack BC V2R 03C, Canada

Sales:

Tel: +1-604-626-5023
Email: sales@advantecglobal.com

Service & Technical Inquiries:
support@advantecglobal.com

California

Morton Marine Services

2390 Shelter Island Drive #114
San Diego CA 92106, USA

Shop: 619-222-8435
Mobile: 619-944-0741

Channel Coast Marine

2945 W. 5th St.
Oxnard CA 93030, USA

Phone: 805-985-0220
Fax: 805-985-7707

Basin Marine Inc.

829 Harbor Island Dr # A,
Newport Beach, CA 92660

Phone: +1 949-673-0360
Email (Augie Gonzalez):
augie@basinmarine.com

Florida

Bullhead Marine

Yacht Crane Specialist
Premiere Steelhead Service and Installation
Center

Tel: +1 772-812-8303
Email: bullheadmarine@gmail.com

Escardo Marine

Contact: Hector Escardo
2401-C 28th Ave N
Saint Petersburg, Florida 33713, USA

Tel: +1 727-898-2010
Fax: +1 727-822-3562
Email: hectorA@escardomarine.com

Magna Marine

Contact: Leo du Plessis
185 S.W. 20th Way, S-6
Dania Beach, Florida 33004 USA

Tel: +1 954-927-7756
Email: magnamarine1@aol.com

Navalex International, Inc. – SALES ONLY

Contact: Michael Vasallo
2425 NW 33 Avenue
Miami, Florida 33142 USA

Tel: +1 305-633-1539 Ext. 205
Fax: +1 305-635-8778
Email: michael@navalex.com

Sterling Marine

Sterling Marine Systems
4081 SW 47th Avenue, Suite 10

Fort Lauderdale, Florida 33314 USA

Tel: +1 954-584-3039
Tel: +1 954-584-9898
Email: operations@sterlingmarine.com

Virginia

Deltaville Boatyard

274 Bucks View Lane
Deltaville, VA 23043

Tel: 804-776-8900
Email: service@deltavilleboatyard.com

Washington

NW Explorations

2623 South Harbor Loop
Bellingham WA 98225

Toll Free: +1 800 826-1430
Tel: +1 360 676-1248
Fax: +1 360 676-9059
Email: services@NWExplorations.com

Pacific Yacht Management

Contact: Jeff Sanson
2284 W. Commodore Way, Suite 120
Seattle WA 98199

Email: jeff@pacificyachtmanagement.com
Phone: + 1 206-285-1449
Fax: +1 206-285-1460

S3 Maritime

2360 W Commodore Way
Suite 200
Seattle WA 98199

Tel: +1 206-420-4932
Email: info@s3maritime.com

BC / CANADA

Philbrooks Boatyard Ltd.

2324 Harbour Road
Sydney BC V8L 2P6, Canada

Parts: Reid Handley – parts@philbrooks.com

Tel: +1-250-656-2882
Email: Jamie Hansen (Sales)
jamie.hansen@philbrooks.com
Tel: +1-250-656-1157

AW Yacht Services

Contact: Andy Wiggs
Cell: +1-604-219-2897
Email: awyachtservice@shaw.ca

Tri-Shore Yacht Services Ltd.
Unit 24 – 850 Barnet Highway
Port Moody, BC V3H 1V6, Canada

Email: Devin Hicks
trishoreyachts@gmail.com
Tel: +1-604-939 3392

West Coast Yacht Systems

2284-A Harbour Road
Sidney, BC V8L 2P6

Contact: Mike Leyda
Cell: +1-206-226-8652
Email: mike@westcoastyachtsystems.com

Europe

Lankhorst / Taselaar – SALES ONLY

Contact: Jarno Berkhof
Krommewtering 61A
P.O. Box 502 8200 AM Lelystad
Netherlands

Tel: (+31) 320 274 611
Fax: (+31) 320 230 209
Email Sales: j.berkhof@lankhorst-taselaar.nl

Sailtec GmbH – SALES ONLY

Hasselbinnen 28
D-22869 Schenefeld
Germany

Tel: +49-(0)40-8229940
Fax: +49-(0)40-8304279
Email: info@sailtec.de

Geetech

Le Panorama A-B, 57 rue Grimaldi, 98000
Monaco

Tel: +377 64 39 17 997

Email: info@geetech.mc

Halyard (M&I Limited)

86 Cobham RD
Ferndown IND Estate
Wimborne BH21 7PQ
United Kingdom

Tel: +44-01722-710-922
Email: technical@halyard.eu.com

Motocraft S.A

48 Alimos St 17455, Alimos
Contact: Alex Zeis

Tel: +30 210 988 8288
Email: motocraft@motocraft.gr

Turkey

BTS MARIN

Denizcilik San. Tic. Ltd. Şti.
Aydintepe Mh. Sahil Bulvarı Alize İş Merkezi
Nr:191 – 35
Tuzla- Istanbul / Turkey 34956

Tel/Fax: +90 216 394 92 94
Email: tayfunt@btsmarin.com.tr

Taiwan & China

Asia Marine

8F., No. 695, Mingcheng 3rd Road
Gushan District
Kaohsiung City 80453 Taiwan (R.O.C.)

Tel: +886-7-5503191
Fax: +886-7-5503192
Email: kevin@asiamarine.com.tw

Australia

Marine Cranes Australia Pty Ltd. – SALES ONLY

P.O Box 8036
G.C.M.C
Qld 9726

Tel: 0490702878
Email: info@marinecranesaustralia.com.au

New Zealand

Lusty & Blundell Ltd. – SALES ONLY

38 Tawa Drive Albany
Private Bag Takapuna
Auckland 9 New Zealand

Tel: +64 9 415 8303

Fax: +64 9 415 8304
Email: grantm@lusty-blundell.co.nz

So-Pac Marine – SALES ONLY

PO Box 303-180 North Harbor
North Shore 0751 New Zealand

Tel: +64 (9) 448 5900
Email: mhall@sopac.co.nz

How Can We Help You?

For more details about our cranes and our Distributor Network visit:
www.SteelheadMarine.net

To request a quote or to talk to a product specialist please call:
Tel 604-607-0091 | Toll Free: (North America) 1-800-770-0455

SCAN FOR MORE STEELHEAD MARINE PRODUCTS



ADVANTEC ADVANTAGE



3 YEAR
HASSLE-FREE
WARRANTY

WE ARE PASSIONATE ABOUT DELIVERING

RELIABLE **SOLUTIONS**
SUPERIOR **QUALITY**
WORLD-CLASS **SUPPORT**

Proudly part of the **AdvanTec** family of brands



AdvanTec Manufacturing Canada
43676 Progress Way, Chilliwack,
BC, V2R 0C3, Canada

Phone: 1.800.770.0455
Email: info@advantecglobal.com
www.advantecglobal.com

AdvanTec Manufacturing USA
28336 Hunter Creek Rd., Gold
Beach, OR, 97444, USA