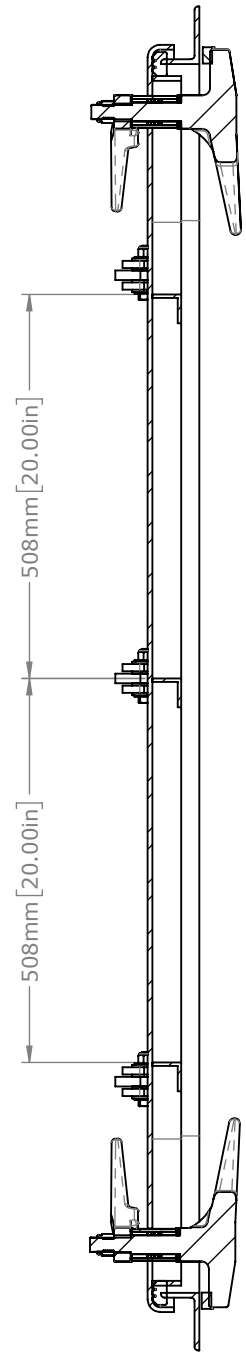
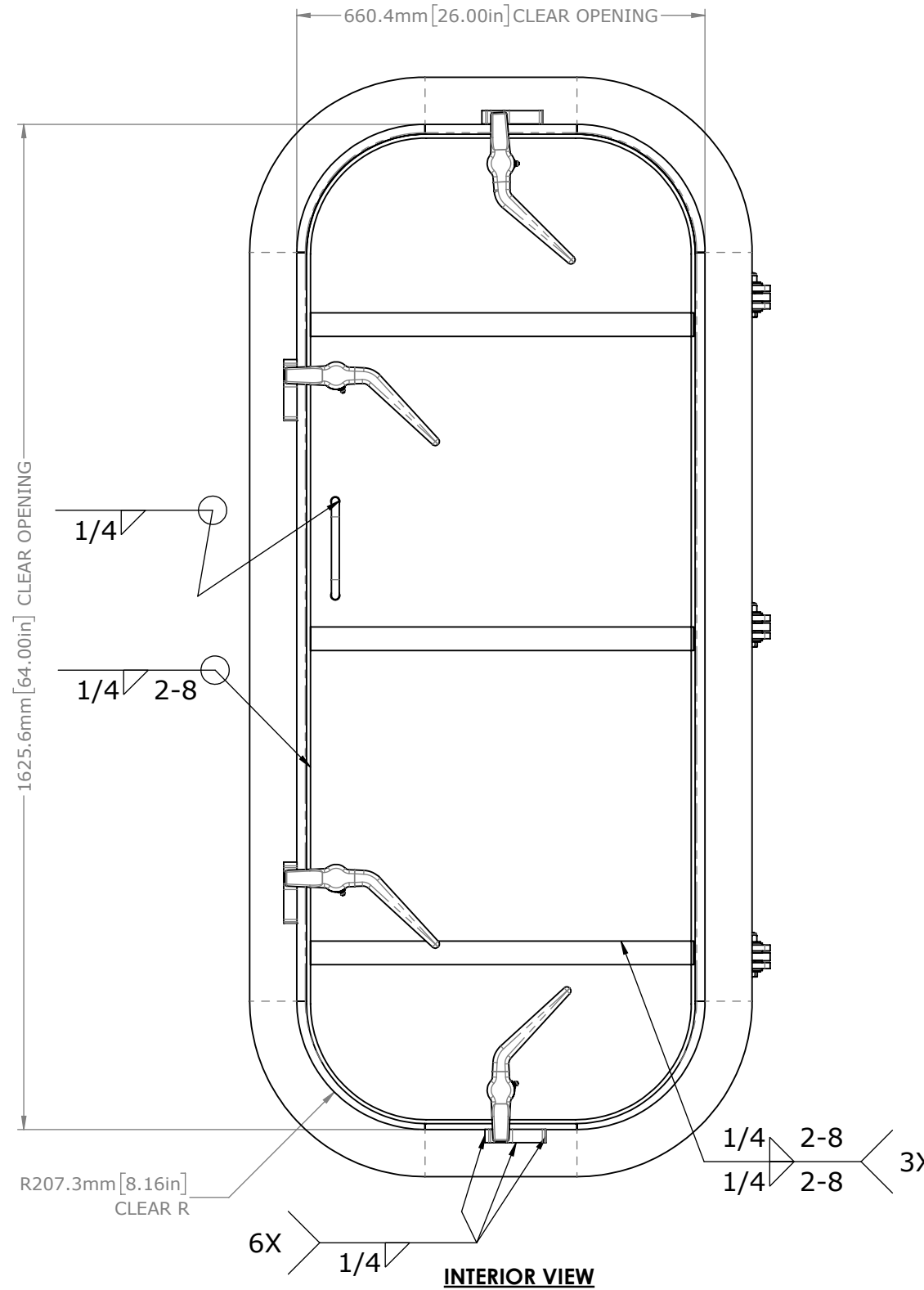


**EXTERIOR VIEW**



**SECTION A-A**



**INTERIOR VIEW**

**REVISIONS**

| REV. | DESCRIPTION        | BY  | DATE    |
|------|--------------------|-----|---------|
| 00   | PRODUCTION RELEASE | ZJC | 2/25/19 |

**GENERAL NOTES**

1. REMOVE ALL BURRS AND BREAK SHARP EDGES AND CORNERS 1.0mm [.04"] MAX.
2. WELD IN INSTALLATION
3. WATERTIGHT CONSTRUCTION TO MEET SEALING STD II
4. APPROX WEIGHT: 272.27kg
5. finish: B - COMMERCIAL QUALITY

WO#

**CUSTOMER APPROVAL**

IMPORTANT! THIS DRAWING SUPERSEDES ALL OTHER DOCUMENTS. By signing this approval you accept and agree that the dimensions and details shown are correct and properly fit your application, regardless of any differences between this drawing and any prior contract specifications. Should you have any questions or see any errors, DO NOT SIGN THIS APPROVAL until the drawing is corrected.

SIGN \_\_\_\_\_ DATE \_\_\_\_\_

UNLESS OTHERWISE SPECIFIED, DIMENSIONS ARE IN MILLIMETERS. TOLERANCES FOR ROUGH AND CLEAR OPENINGS ARE ±3mm (.125"). ALL OTHERS ARE:

| METRIC   | X    | .X   | .XX   | ANGLES |
|----------|------|------|-------|--------|
|          | ±2.5 | ±.8  | ±.25  | ±2°    |
| IMPERIAL | .X   | .XX  | .XXX  | ANGLES |
|          | ±.1  | ±.03 | ±.010 | ±2°    |

BAR CODE \_\_\_\_\_ CAGE CODE 64747



COPYRIGHT 2014/2015 ADVANTEC GLOBAL INNOVATIONS. ALL RIGHTS RESERVED. CONFIDENTIAL PROPERTY OF ADVANTEC GLOBAL INNOVATIONS. UNAUTHORIZED USE, REPRODUCTION OR DISTRIBUTION IS STRICTLY PROHIBITED. COPIES REMAIN THE PROPERTY OF ADVANTEC GLOBAL INNOVATIONS AND MUST BE RETURNED UPON REQUEST.

CLIENT **FME**

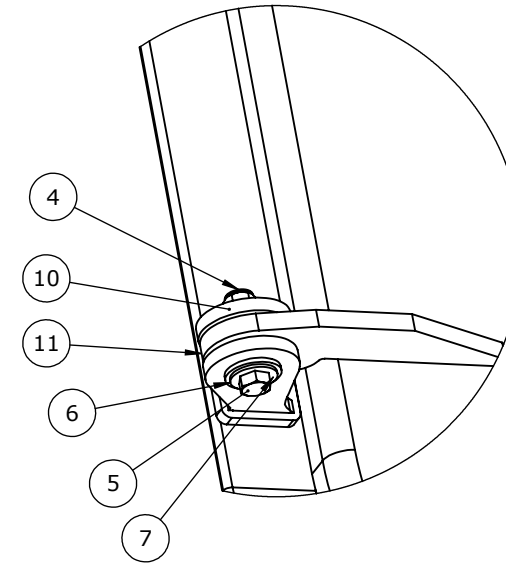
PROJECT TITLE \_\_\_\_\_

DWG TITLE **WATERTIGHT BULKHEAD DOOR** QTY \_\_\_\_\_

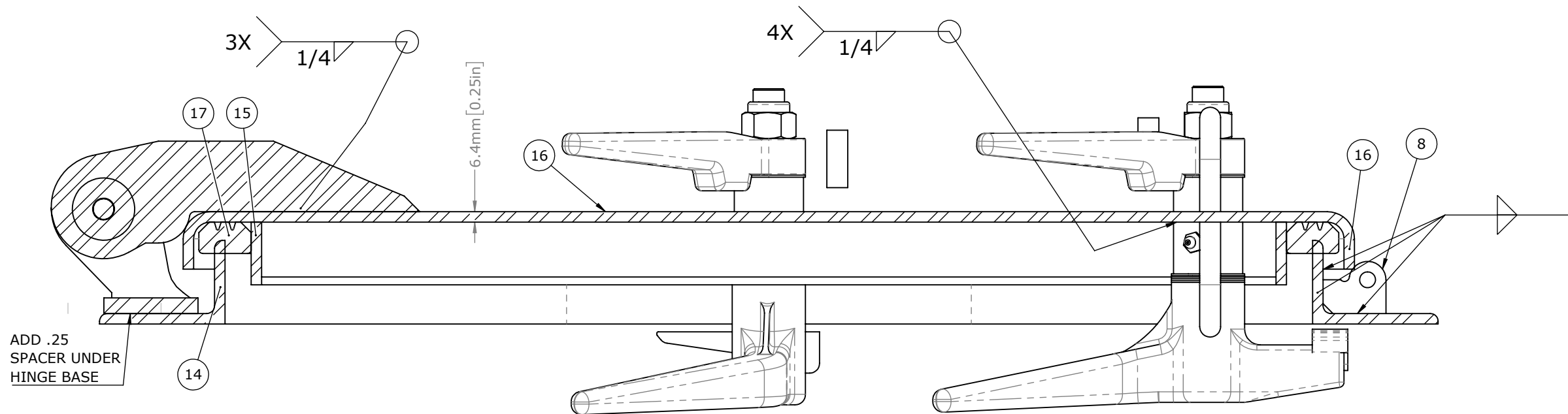
| SCALE | DRAWN | DATE      | CHECKED | DATE      | SIZE |
|-------|-------|-----------|---------|-----------|------|
| 1:10  | ZJC   | 2/25/2019 | RW      | 2/25/2019 | B    |

| S.O. NO | DWG NO     | SHEET  | REV |
|---------|------------|--------|-----|
|         | 1212-2664L | 1 of 2 | 00  |

| ITEM | QTY | PART No.       | DESCRIPTION                            | MATERIAL                                    |
|------|-----|----------------|--|---|
| 1    | 1   | 0223-1002      | DOG ASSY, INDIVIDUAL, RH               | REF S.A. BOM                                |
| 2    | 3   | 0223-1003      | DOG ASSY, INDIVIDUAL,STEEL, LH         | REF S.A. BOM                                |
| 3    | 2   | 0243-2031      | PULL HANDLE                            | BAR, STL A36 .5IN DIA ROUND (0615-9600)     |
| 4    | 3   | 0411-2027      | NUT .50IN-13 SS 316 NYLOCK             | SS 316/316L                                 |
| 5    | 3   | 0411-2029      | SCREW, HH .5-13X2.5IN                  | SS 316/316L                                 |
| 6    | 6   | 0411-2693      | WASHER, FLAT                           | SS 316/316L                                 |
| 7    | 12  | 0413-2114      | WASHER, .521 X 1.49 X .125 NYLON       | Nylon 6/10                                  |
| 8    | 1   | 0422-2800      | PADLOCK HASP                           | PLATE, STL .188IN A36 (0715-2033)           |
| 9    | 1   | 0422-2801      | PADLOCK HASP                           | PLATE, STL .188IN A36 (0715-2033)           |
| 10   | 3   | 0462-2579      | BASE, HINGE                            | PLATE, STL .375IN A36 GRY (0715-2026)       |
| 11   | 3   | 0462-2591      | HINGE,PANEL SIDE,BULKHEAD DOOR,FIXED   | A36   |
| 12   | 4   | 0616-2078      | STOP, DOG STEEL .5 DIA ROUND X 1.375   | STEEL                                       |
| 13   | 3   | 0616-2080      | STIFFNER, ANGLE .25X1.5X1.5X26.44 A36  | ANGLE, STL A36 HR 1.5X1.5X.25IN (0615-9503) |
| 14   | 2   | 0616-2102      | BEND, HALF CMG ANGLE STL 3X2X.25 64 CO | ANGLE, STL A36 HR 3X2X.313IN (0615-9534)    |
| 15   | 2   | 0616-2104      | GASKET RETAINER/STIFFENER              | BAR, STL A36 HR .25X1.5IN (0615-9598)       |
| 16   | 1   | 0716-2070      | SKIN, EXT STL A36 .25 THICK LH 2664 CO | PLATE, STL .25IN ABS A36 (0715-2020)        |
| 17   | 1   | 1212-2664L-203 | GASKET                                 | 25 DURO NEOPRENE (0631-9854)                |



DETAIL J  
SCALE 1 : 5



SECTION B-B  
SCALE 1 : 3

**REVISIONS**

SEE SHEET 1

**GENERAL NOTES**

SEE SHEET 1

WO#

**CUSTOMER APPROVAL**

IMPORTANT! THIS DRAWING SUPERSEDES ALL OTHER DOCUMENTS. By signing this approval you accept and agree that the dimensions and details shown are correct and properly fit your application, regardless of any differences between this drawing and any prior contract specifications. Should you have any questions or see any errors, DO NOT SIGN THIS APPROVAL until the drawing is corrected.

SIGN \_\_\_\_\_ DATE \_\_\_\_\_

UNLESS OTHERWISE SPECIFIED, DIMENSIONS ARE IN MILLIMETERS. TOLERANCES FOR ROUGH AND CLEAR OPENINGS ARE ±3mm (.125"). ALL OTHERS ARE:

|          | X    | .X   | .XX   | ANGLES |
|----------|------|------|-------|--------|
| METRIC   | ±2.5 | ±.8  | ±.25  | ±2°    |
| IMPERIAL | .X   | .XX  | .XXX  | ANGLES |
|          | ±.1  | ±.03 | ±.010 | ±2°    |

BAR CODE \_\_\_\_\_ CAGE CODE 64747



COPYRIGHT 2014/2015 ADVANTEC GLOBAL INNOVATIONS. ALL RIGHTS RESERVED. CONFIDENTIAL PROPERTY OF ADVANTEC GLOBAL INNOVATIONS. UNAUTHORIZED USE, REPRODUCTION OR DISTRIBUTION IS STRICTLY PROHIBITED. COPIES REMAIN THE PROPERTY OF ADVANTEC GLOBAL INNOVATIONS AND MUST BE RETURNED UPON REQUEST.

CLIENT FME

PROJECT TITLE

DWG TITLE WATERTIGHT BULKHEAD DOOR QTY

SCALE 1:10 DRAWN ZJC DATE 2/25/2019 CHECKED RW DATE 2/25/2019 SIZE B

S.O. NO DWG NO 1212-2664L SHEET 2 of 2 REV 00