

- 11. FINISH - COVER: BARE METAL, AS MANUFACTURED.  
FINISH - COAMING: BARE METAL, AS MANUFACTURED.
- 10. FOR SPECIFIC INFORMATION CONTACT SALES.
- 9. COMPLETE ASSEMBLY WEIGHT W/ DECK RING, 37.3LBS/ 16.9K.
- 8. DOGGING PRESSURE FULLY ADJUSTABLE.
- 7. HANDLE POSITION TOPSIDE INDICATES WHETHER DOGGING MECHANISM IS IN OPEN OR CLOSED POSITION.
- 6. ALUMINUM ALLOY MECHANISM SHOWN.
- 5. FLUSH, WATERTIGHT CONSTRUCTION.
- 4. INTEGRAL TOPSIDE "T" HANDLE STANDARD, OTHER TOPSIDE ACTUATION AVAILABLE.
- 3. CAST ALUMINUM ALLOY FLANGE, FLANGE CAN BE DRILLED FOR BOLTED INSTALLATIONS OR WELDED TO ALUMINUM.
- 2. QUICK-ACTING, MECHANISM ENGAGES OR DISENGAGES IN QUARTER-TURN OF CENTER SPINDLE.
- 1. 14.8" x 23.8" CLEAR OPENING, ALL DIMENSIONS SHOWN SUBJECT TO CASTING VARIATION AND ARE REFERENCE ONLY.

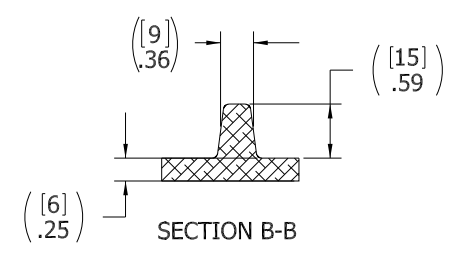
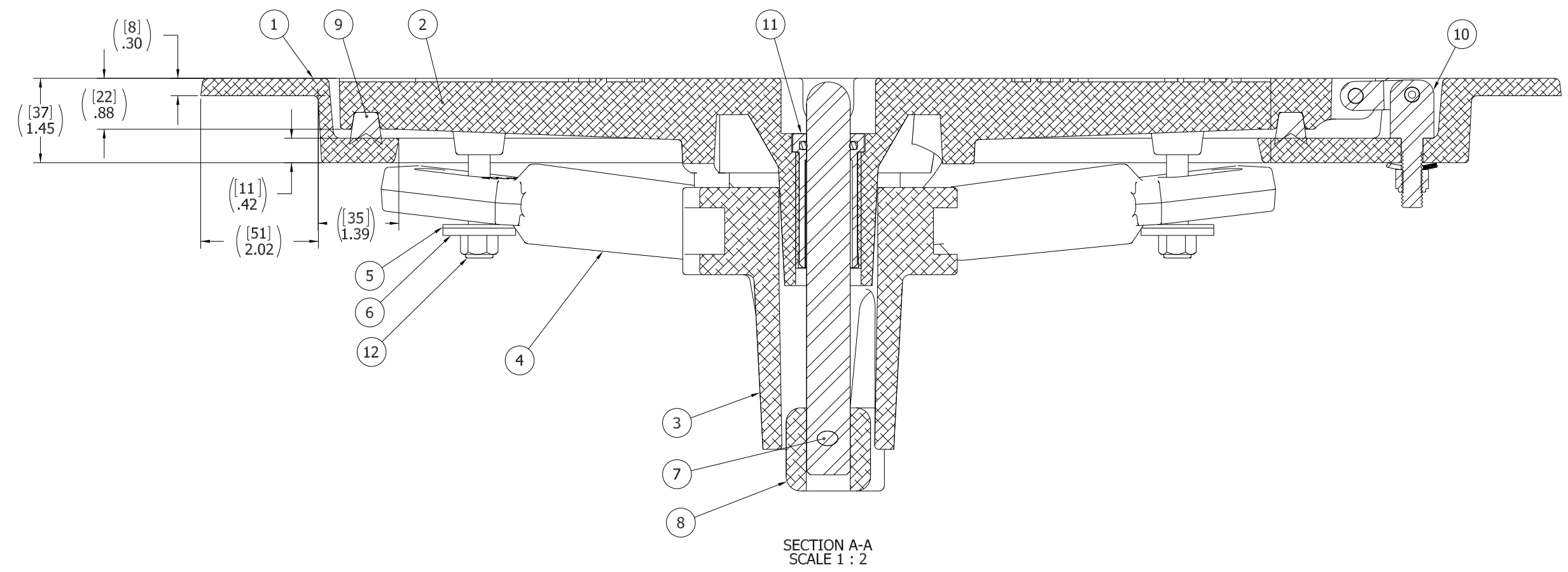
NOTES: UNLESS OTHERWISE SPECIFIED.

SPECIFICATIONS SUBJECT TO CHANGE WITHOUT NOTICE.			<b>FREEMAN MARINE EQUIPMENT, INC.</b> 28336 HUNTER CREEK ROAD GOLD BEACH, OR 97444 U.S.A. PHONE: 541-247-7078 FAX: 541-247-2114 www.freemanmarine.com	
PROJECTION			CLIENT: FREEMAN MARINE EQUIPMENT, INC. TITLE: HATCH: 1524-H, AL COVER, AL RING	
UNLESS OTHERWISE SPECIFIED DIMENSIONS ARE IN INCHES. TOLERANCES FOR ROUGH AND CLEAR OPENING: .125 INCH. ALL OTHERS ARE: .X .XX .XXX ANGLES ±.1 ±.03 ±.010 ±2°			CONTRACT NO.: SCALE: 1:3	
DO NOT SCALE DRAWING			SHEET 1 OF 3	

REV.	DESCRIPTION	DATE	DRAWN
-	INITIAL RELEASE	25JUL05	MKF
A	UPDATE GEN. NOTES & B.O.M.	04NOV11	PPC
B	RE-ATTACH DIMENSIONS; B.O.M. ITEMS TO MATCH VISUAL	23FEB12	RR

8 7 6 5 4 3 2 1

D  
C  
B  
A



ITEM NO.	QTY.	PART NUMBER	DESCRIPTION	MATERIAL
13	1	0021-2005	HANDLE, S/S, ROUND BAR	STAINLESS STEEL, 316
12	4	0411-2032	NUT .375IN-16 SS 316 NYLOCK	SS 316/316L
11	1	0031-2058	BUSHING ASSY, W/O-RING, NO SLEEVE	ACETRON/RUBBER
10	2	0461-2205	HINGE ASSY, DOUBLE-ACTING, CAST HATCH,2	REF S/A - B.O.M.
9	1	9801-2005	GASKET: 1524 (5.58 FT. OF 0631-9801)	NEOPRENE
8	1	0112-2001	ACTUATOR, AL	ALUMINUM, 535
7	1	0411-2004	PIN KNURLED .25 X 2.25IN SS 316	SS 316/316L
6	4	0411-2033	WASHER .406 X 1.25 X .125IN SS 316	SS 316/316L
5	4	0413-2005	WASHER, .406 X 1.250 X .062 NYLON	NYLON
4	4	0211-2004	DOG, LOCKING ARM 1524, AL	ALUMINUM, 535.2-F
3	1	0011-2002	HUB, AL, 4 HOLE	ALUMINUM, 535.2-F
2	1	2473-3001	COVER: 1524-H ALUM, FINISHED CASTING	REF. S/A - B.O.M.
1	1	2473-1002	RING: 1524-H ALUM	ALUMINUM, A356

REV.	DESCRIPTION	DATE	DRAWN
-	INITIAL RELEASE	25JUL05	MKF
A	UPDATE GEN. NOTES & B.O.M.	04NOV11	PPC
B	RE-ATTACH DIMENSIONS; B.O.M. ITEMS TO MATCH VISUAL	23FEB12	RR

SPECIFICATIONS SUBJECT TO CHANGE WITHOUT NOTICE.

PROJECTION

UNLESS OTHERWISE SPECIFIED DIMENSIONS ARE IN INCHES. TOLERANCES FOR ROUGH AND CLEAR OPENINGS: .125 INCH. ALL OTHERS ARE:  
 .X .XX .XXX ANGLES  
 ±.1 ±.03 ±.010 ±2°

DO NOT SCALE DRAWING

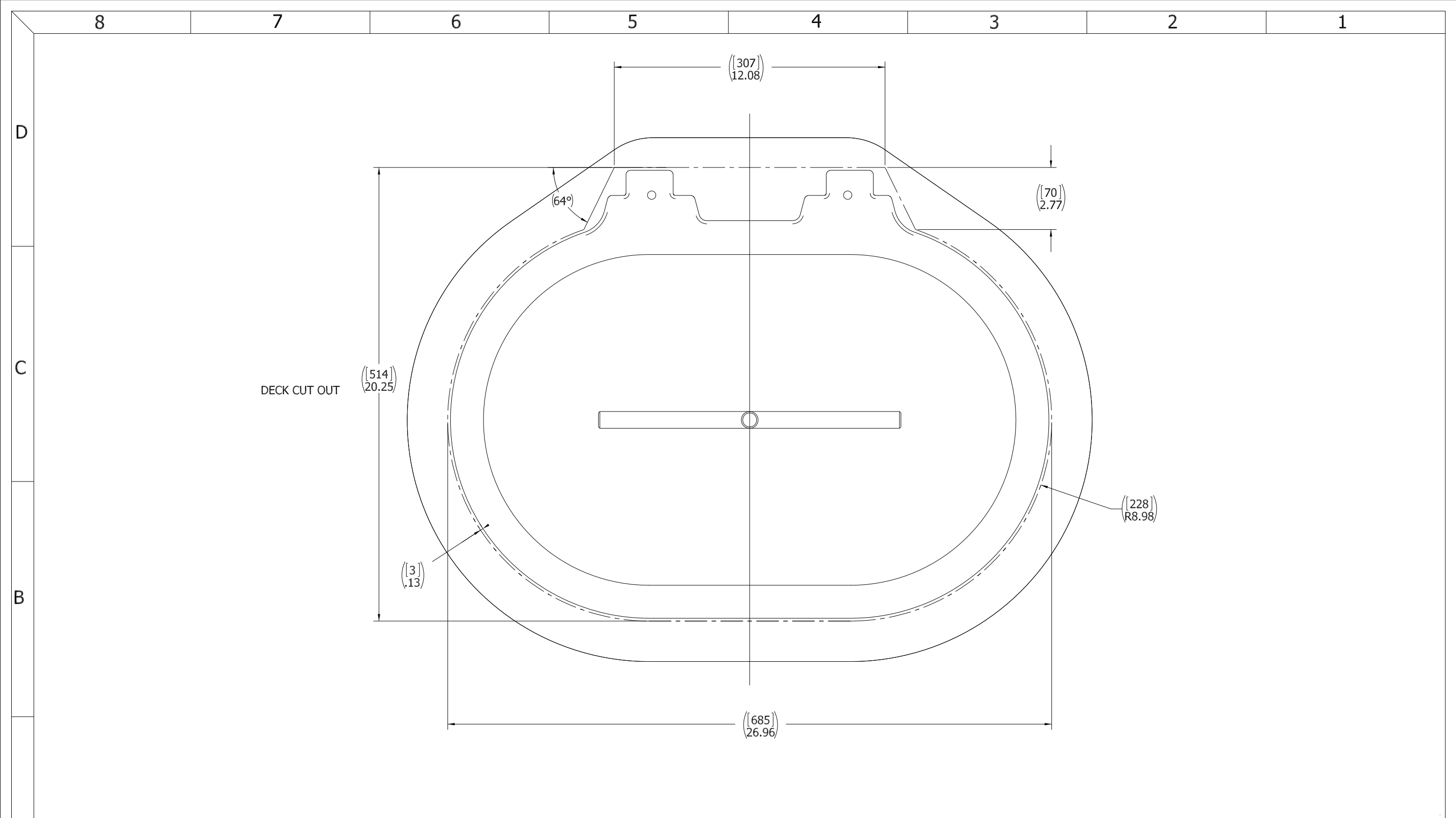
**FREEMAN MARINE EQUIPMENT, INC.**  
 28336 HUNTER CREEK ROAD  
 GOLD BEACH, OR 97444 U.S.A.  
 PHONE: 541-247-7078 FAX: 541-247-2114  
 www.freemanmarine.com

CLIENT: FREEMAN MARINE EQUIPMENT, INC.

TITLE: HATCH: 1524-H, AL COVER, AL RING

SIZE	CAGE CODE	DRAWING NUMBER	REV.
D	64747	2473-0002	B

SCALE: 1:1    CALC. WT.    ACT. WT.    SHEET 2 OF 3



DECK CUT OUT

- 3. FINISH: 125 RMS MAX.
  - 2. BREAK SHARP EDGES AND DEBURR.
  - 1. MATERIAL: REF. S/A - B.O.M.
- NOTES: UNLESS OTHERWISE SPECIFIED.

CUSTOMER APPROVAL

Signature: \_\_\_\_\_

Date: \_\_\_\_\_

IMPORTANT! THIS DRAWING SUPERSEDES ALL OTHER DOCUMENTS. By signing this approval you accept and agree that the dimensions and details shown are correct and properly fit your application, regardless of any differences between this drawing and any contract specifications. Should you see any errors in the drawing, or have any questions, please contact your Freeman Marine sales engineer for clarification.

REV.	DESCRIPTION	DATE	DRAWN
-	INITIAL RELEASE	25JUL05	MKF
A	UPDATE GEN. NOTES & B.O.M.	04NOV11	PPC
B	RE-ATTACH DIMENSIONS; B.O.M. ITEMS TO MATCH VISUAL	23FEB12	RR

SPECIFICATIONS SUBJECT TO CHANGE WITHOUT NOTICE.

PROJECTION

UNLESS OTHERWISE SPECIFIED DIMENSIONS ARE IN INCHES. TOLERANCES FOR ROUGH AND CLEAR OPENING: .125 INCH. ALL OTHERS ARE:

.X	.XX	.XXX	ANGLES
±.1	±.03	±.010	±2°

DO NOT SCALE DRAWING

**FREEMAN MARINE EQUIPMENT, INC.**

CONFIDENTIAL PROPERTY OF FREEMAN MARINE EQUIPMENT, INC. UNLESS OTHERWISE SPECIFIED, ALL DIMENSIONS ARE IN INCHES. TOLERANCES FOR ROUGH AND CLEAR OPENING: .125 INCH. ALL OTHERS ARE: .X .XX .XXX ANGLES ±.1 ±.03 ±.010 ±2° DO NOT SCALE DRAWING

© ALL RIGHTS RESERVED 2012, FREEMAN MARINE EQUIPMENT, INC.

28336 HUNTER CREEK ROAD  
GOLD BEACH, OR 97444 U.S.A.  
PHONE: 541-247-7078 FAX: 541-247-2114  
www.freemanmarine.com

CLIENT: **FREEMAN MARINE EQUIPMENT, INC.**

TITLE: **HATCH: 1524-H, AL COVER, AL RING**

SIZE	CAGE CODE	DRAWING NUMBER	REV.
<b>D</b>	<b>64747</b>	<b>2473-0002</b>	<b>B</b>
SCALE: 1:2	CALC. WT.	ACT. WT.	SHEET 3 OF 3