

REVISIONS

REV#	DESCRIPTION	DATE
------	-------------	------

GENERAL NOTES

1. INSTALLATION: BOLT OR WELD-IN.
2. BUILT TO SPIGOT.
3. WEATHER TIGHT CONSTRUCTION.
4. GLASS SHALL BE 1/4" CLEAR TEMPERED.
5. APPROXIMATE WEIGHT: 6.8 LBS (3.1 KGS.)
6. FINISH: BARE METAL.
7. FOR ADDITIONAL INFORMATION CONTACT YOUR SALES REPRESENTATIVE OR PROJECT MANAGER.

CUSTOMER APPROVAL

IMPORTANT: THIS DRAWING SUPERSEDES ALL OTHER DOCUMENTS BY SUBMITTING APPROVAL FOR ORDER PURPOSES AND THE SUBMITTER AGREES TO HOLD THE SUBMITTER RESPONSIBLE FOR YOUR APPLICATION. SIGNATURES OF ALL PARTICIPANTS TO THIS DRAWING ARE REQUIRED FOR ORDER PURPOSES. SIGNATURES MUST BE APPROVED BY THE DRAWING IS CORRECTED.

SIGN _____ DATE _____

UNLESS OTHERWISE SPECIFIED, DIMENSIONS ARE IN MILLIMETERS. TOLERANCES FOR ROUGH AND CLEAR OPENINGS ARE ±.1MM (.0125"). ALL OTHERS ARE:

	XX	.X	.XX	ANGLES
METRIC	±2.5	±.8	±.25	±2°
IMPERIAL	±.1	±.03	±.010	±2°

BAR CODE: _____ CHECK CODE: _____

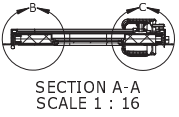
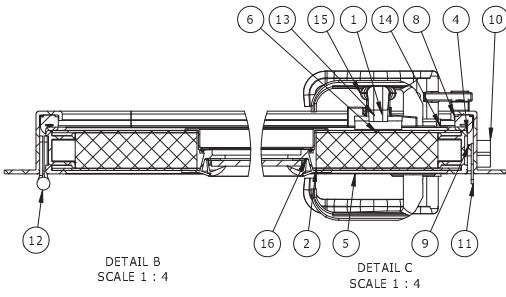
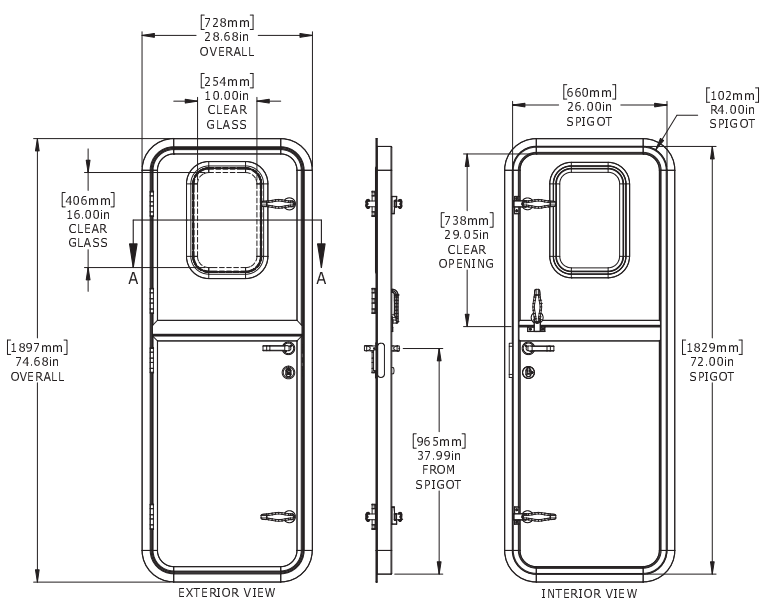


Copyright 2015 Diamond Sea Glaze, Incorporated. All Rights Reserved. In all horizontal use, reproduction or distribution of this drawing without the written consent of Diamond Sea Glaze, Incorporated, is prohibited. All rights reserved. All other rights reserved. All other rights reserved.

PROJECT TITLE: WEATHERTIGHT DUTCH DOOR

MODEL TITLE: MODEL 26" X 72" LH

SCALE	DRAWN	DATE	CHECKED	DATE	SHEET	REV
1:25					6	
					18	



ITEM NO.	PART NUMBER	DESCRIPTION	QTY.
1	D11436	MAIN FRAME	1
2	D11354	TOP SKIN	2
3	D11354	BOTTOM SKIN	2
4	D11435	UPPER PANEL EDGE	1
5	D11435	LOWER PANEL EDGE	1
6	D11481	1-1/2" POLYSTYRENE-TOP	1
7	D11481	1-1/2" POLYSTYRENE-BOTTOM	1
8	D10847	GASKET	1
9	D11234	TRIOVING 5312	1
10	D12015	DEADBOLT RECESS	1
11	D10293	500 STRIKER PLATE	1
12	D10480	4 X 4 SLOTTED HINGE	4
13	D11129	DOG WEDGE	3
14	D11252	DOG, HANDLE, NYLON, SET, 250	2
15	D11270	Nylon 250 Dutch Blind Dog Set - LH	1
16	D5 Window	WINDOW	1