

REV.	DESCRIPTION	BY	DATE

**GENERAL NOTES**

1. INSTALLATION: BOLT OR WELD-IN BUILD TO SPIGOT.
2. GLASS SHALL BE 1/4" CLEAR TEMPERED.
3. WEATHERTIGHT DOOR CONSTRUCTION.
4. APPROX WEIGHT: 45.132kg (99.5 LBS.)
5. FINISH: BARE METAL
6. FOR ADDITIONAL INFORMATION CONTACT THE PROJECT REPRESENTATIVE OR PROJECT MANAGER.

**CUSTOMER APPROVAL**

BY SIGNING THIS DRAWING YOU ACCEPT AND AGREE THAT THE DIMENSIONS AND TOLERANCES SPECIFIED ARE THE BASIS FOR FABRICATION AND CONSTRUCTION. YOUR SIGNATURE AND SEAL RELEASES ADVANTEC FROM LIABILITY FOR ANY DEFECTS OR DISCREPANCIES BETWEEN THIS DRAWING AND THE FABRICATED PRODUCT. IF YOU HAVE ANY QUESTIONS OR SEE ANY ERRORS, DO NOT SIGN THIS DRAWING UNTIL THE DRAWING IS CORRECTED.

UNLESS OTHERWISE SPECIFIED, DIMENSIONS ARE IN MILLIMETERS. TOLERANCES FOR ROUGH AND CLEAR OPENINGS ARE ±.30mm (.012"). ALL OTHERS ARE:

METRIC	ANGLES
X	.XX
X	.25
X	.30
X	.XX
X	.XXX
X	.2°
X	.25°
X	.30°

IMPERIAL

IMPERIAL	ANGLES
±.1	±.010
±.1	±.010
±.1	±.010
±.1	±.010
±.1	±.010
±.1	±.010

BAR CODE



COPYRIGHT 2015 ADVANTEC GLOBAL INNOVATIONS. ALL RIGHTS RESERVED. THIS DRAWING IS THE PROPERTY OF ADVANTEC GLOBAL INNOVATIONS. NO PART OF THIS DRAWING OR THE INFORMATION CONTAINED HEREIN IS TO BE REPRODUCED OR TRANSMITTED IN ANY FORM OR BY ANY MEANS, ELECTRONIC OR MECHANICAL, INCLUDING PHOTOCOPYING, RECORDING, OR BY ANY INFORMATION STORAGE AND RETRIEVAL SYSTEM, WITHOUT THE WRITTEN PERMISSION OF ADVANTEC GLOBAL INNOVATIONS. ANY VIOLATION OF THESE TERMS SHALL BE SUBJECT TO LEGAL ACTION.

PROJECT TITLE

**WEATHERTIGHT HINGED DOOR**

QTY	DESCRIPTION
1	MODEL 36" X 66" LH

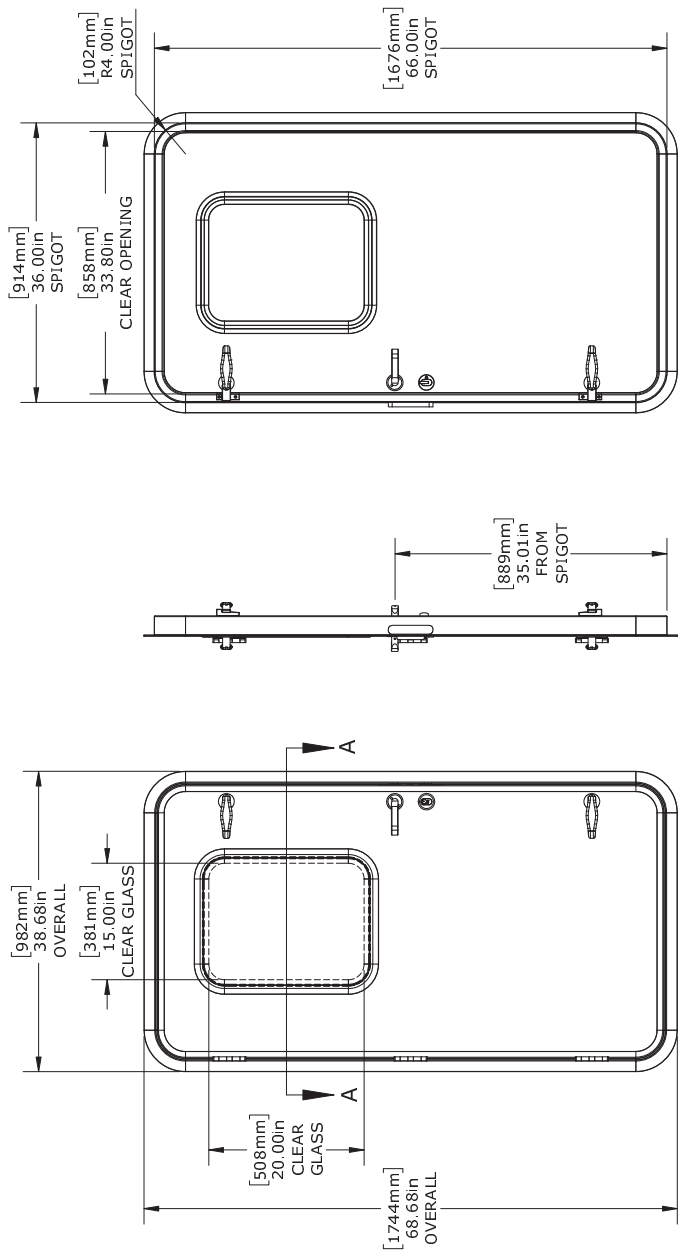
SCALE: DRAWING DATE CHECKED DATE

1:24 W/DW 12/19/16

SIZE: A

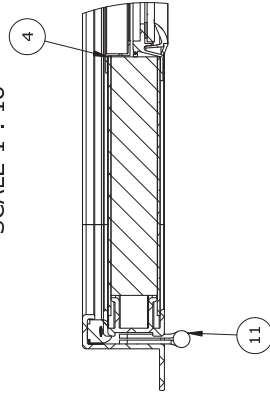
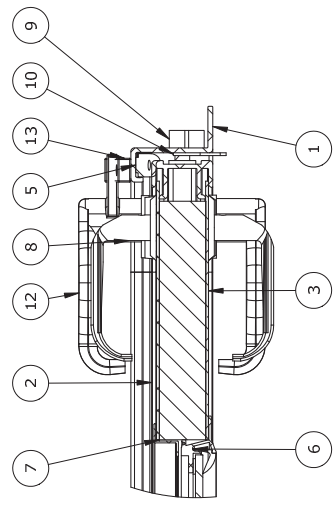
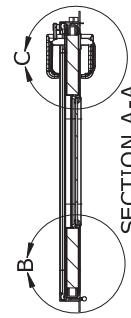
SHEET NO. 11

TOTAL SHEETS 27



EXTERIOR VIEW

INTERIOR VIEW



ITEM NO.	PART NUMBER	DESCRIPTION	QTY.
1	D11436	MAIN FRAME	1
2	D11435	PANEL EDGE	1
3	D11354	EXTERIOR SKIN	1
4	D11354	INTERIOR SKIN	1
5	D10847	GASKET	1
6	D5 WINDOW	WINDOW	1
7	D11481	1-1/2" POLYSTYRENE	1
8	D11234	TRIOVING 5312	1
9	D12015	DEADBOLT RECESS	1
10	D10293	500 STRIKER PLATE	1
11	D10480	4 X 4 SLOTTED HINGE	3
12	D11252	DOG, HANDLE, NYLON, SET, 250	2
13	D11129	DOG WEDGE	2