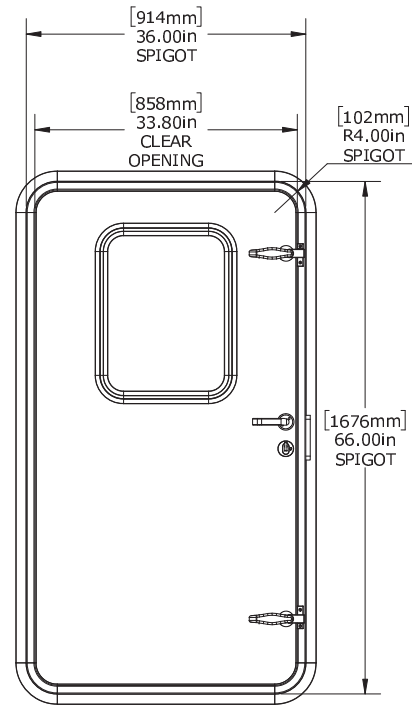
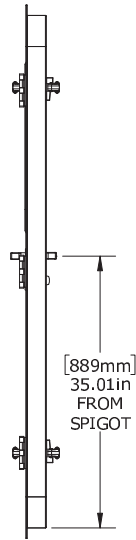
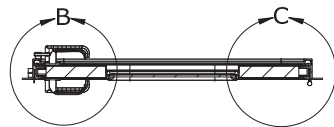


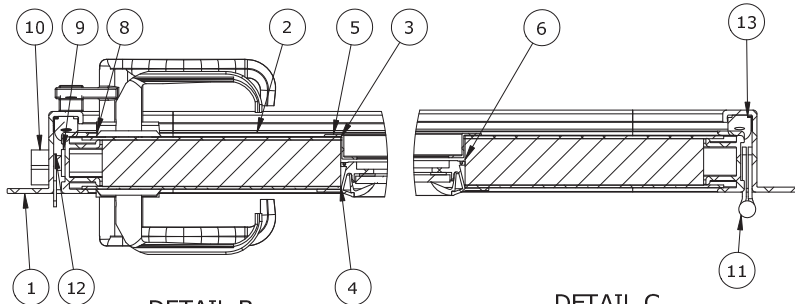
EXTERIOR VIEW



INTERIOR VIEW



SECTION A-A
SCALE 1 : 16



DETAIL B
SCALE 1 : 4

DETAIL C
SCALE 1 : 4

REVISIONS

REV.	DESCRIPTION	BY	DATE

GENERAL NOTES

1. INSTALLATION: BOLT OR WELD-IN
2. BUILD TO SPIGOT.
3. GLASS SHALL BE 1/4" CLEAR TEMPERED.
4. WEATHERTIGHT DOOR CONSTRUCTION.
5. APPROX WEIGHT: 45.132kg (99.5 LBS.)
6. FINISH: BARE METAL
7. FOR ADDITIONAL INFORMATION CONTACT YOUR SALES REPRESENTATIVE OR PROJECT MANAGER.

CUSTOMER APPROVAL

IMPORTANT: THIS DRAWING SUPERSEDES ALL OTHER DOCUMENTS. BY SIGNING THIS APPROVAL YOU ACCEPT AND AGREE THAT THE DIMENSIONS AND DETAILS SHOWN ARE CORRECT AND PROPERLY FIT YOUR APPLICATION, REGARDLESS OF ANY DIFFERENCES BETWEEN THIS DRAWING AND ANY PRIOR CONTRACT SPECIFICATIONS. SHOULD YOU HAVE ANY QUESTIONS OR SEE ANY ERRORS, DO NOT SIGN THIS APPROVAL UNTIL THE DRAWING IS CORRECTED.

UNLESS OTHERWISE SPECIFIED, DIMENSIONS ARE IN MILLIMETERS. TOLERANCES FOR ROUGH AND CLEAR OPENINGS ARE ±3mm (.125"). ALL OTHERS ARE:

METRIC	X	.X	.XX	ANGLES
	±2.5	±.8	±.25	±2°
IMPERIAL	.X	.XX	.XXX	ANGLES
	±.1	±.03	±.010	±2°

BAR CODE: _____ CAGE CODE: _____

ITEM NO.	PART NUMBER	DESCRIPTION	QTY.
1	D11436	MAIN FRAME	1
2	D11435	PANEL EDGE	1
3	D11354	INTERIOR SKIN	1
4	D11354	EXTERIOR SKIN	1
5	D5 WINDOW	WINDOW	1
6	D11481	1-1/2" POLYSTYRENE	1
7	D11129	DOG WEDGE	2
8	D11252	DOG, HANDLE, NYLON, SET, 250	2
9	D11237	LOCKSET	1
10	D12015	DEADBOLT RECESS	1
11	D10480	4 X 4 SLOTTED HINGE	3
12	D10293	500 STRIKER PLATE	1
13	D10847	GASKET	1



COPYRIGHT 2015 ADVANTEC GLOBAL INNOVATIONS. ALL RIGHTS RESERVED. CONFIDENTIAL PROPERTY OF ADVANTEC GLOBAL INNOVATIONS. UNAUTHORIZED USE, REPRODUCTION OR DISTRIBUTION IS STRICTLY PROHIBITED. COPIES REMAIN THE PROPERTY OF ADVANTEC GLOBAL INNOVATIONS AND MUST BE RETURNED UPON REQUEST.

CLIENT: _____

PROJECT TITLE: WEATHERTIGHT HINGED DOOR

DWG TITLE: MODEL 36" X 66" RH QTY: 1

SCALE	DRAWN	DATE	CHECKED	DATE	SIZE
1:24	WDR	12/19/16			B

S.O. NO.	DWG NO.	SHEET	REV
	250-STOCK DOOR	25 of 27	-