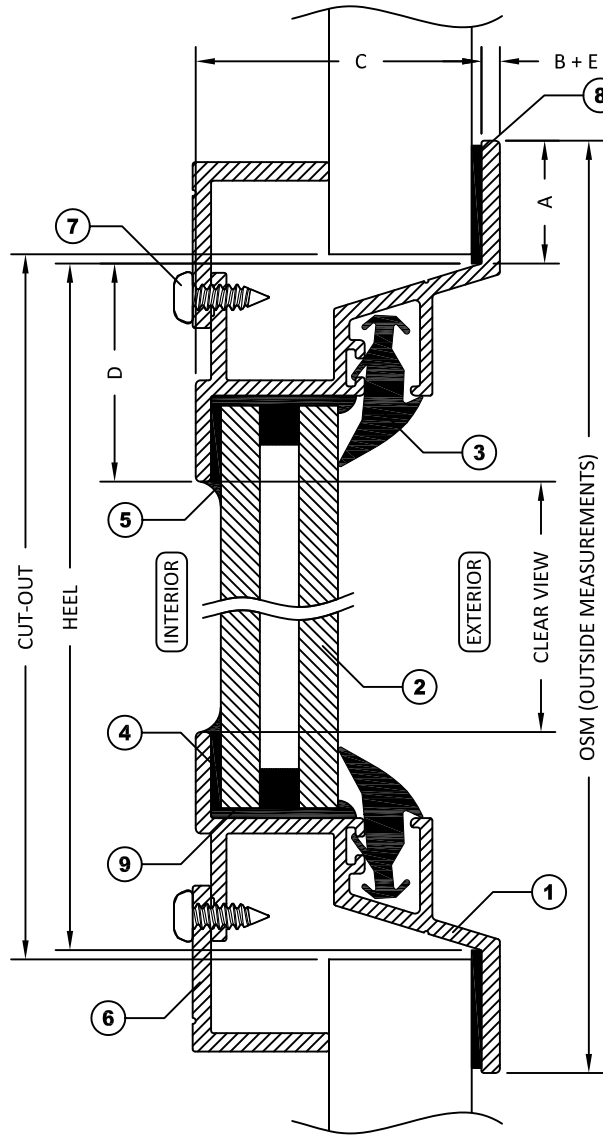


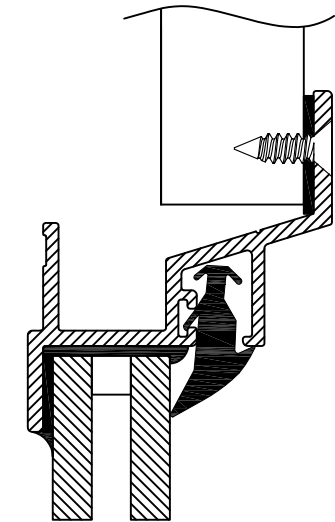
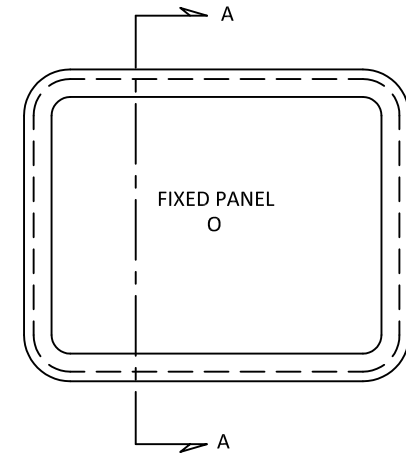
ITEMS			
ID	DESCRIPTION	MATERIAL	PART NUMBER
1	MOUNTING FRAME	6063 ALUMINUM	MT - EX21501
2	GLAZING	GLASS 16mm (5/8") TO 22mm (7/8")	
3	FULCRUM GLAZING	SANTOPRENE	AD - VY2572A
4	BUTYL TAPE		ADTA1/8X3/8B
5	SEALANT	SILICONE	
6	TRIM RING	6063 ALUMINUM	
7	TRIM SCREWS	S/S	
8	BEDDING COMPOUND	CUSTOMER TO SUPPLY	
9	BACKFILL	URETHANE	

STANDARD DIMENSIONS

ID	DESCRIPTION	DIMENSION
A	FLANGE COVERAGE	20mm (13/16")
B	EXTERIOR PROTRUSION	3mm (1/8")
C	INTERIOR PROTRUSION	47mm (1 7/8")
D	SPIGOT TO CLEAR VIEW	36mm (1 7/16")
E	FLANGE THICKNESS	3mm (1/8")



SECTION A-A WITH CLAMP IN INSTALLATION



OPTIONAL BOLT-ON INSTALLATION

NOTES:

- GENERAL HEEL TOLERANCE +0/-1/4" OVERALL
- AVAILABLE WITH 3"(76mm) RADIUS OR MITERED CORNERS
- STANDARD MOUNTING HOLES ARE 3/16" WITH #10 COUNTERSUNK ON 6" NOMINAL CENTERS

DRAWING NUMBER

400F

DIAMOND SEA GLAZE MANUFACTURING LTD.
26995 GLOUCESTER WAY, LANGLEY B.C.
CANADA V4W 3Y3
TOLL FREE: 1-800-770-0455
PHONE: 604-607-0091
FAX: 604-607-0092

SCALE

NTS

BY

LD



**Diamond
Sea Glaze**

ITEM NAME

400F

REVISION

1

ITEM DESCRIPTION

FIXED WINDOW

ALL DRAWINGS AND ANY ASSOCIATED INFORMATION HEREON CONTAIN PROPRIETARY AND/OR CONFIDENTIAL INFORMATION, AND SHALL NOT BE REPRODUCED, DISCLOSED OR SUBMITTED TO ANY THIRD PARTY WITHOUT PRIOR CONSENT FROM DIAMOND SEA GLAZE MANUFACTURING LTD.