

## **BLIND DOG REPAIR & REPLACEMENT PROCEDURES (APPLICATION: ALL BLIND DOG SETS, EXCEPTION DUTCH BLIND DOGS)**

### 1. TOOLS

- Rubber Hammer
- Hammer
- Punch
- Robertson (#2) Screw Driver
- 3/16" Alan Keys (some Blind Dogs)
- Silicone (black for nylon dog handles)
- Loctite 243
- Utility Knife

### 2. HANDLE REMOVAL

In order to remove and replace or repair your door blind dog handle set, follow these steps, using the drawings for your respective dog set available online at [www.theamtstore.com](http://www.theamtstore.com). Two examples of the D250 nylon and aluminum blind dog sets are shown in Figure 1 and 2.

- a. Inside Handle Removal – Use a 3/16" Alan key to remove the screw at the end of the handle.
- b. Inside 1-hole Washer -
- c. Inner Handle - The inner dog handle can now be removed from the dog bushing along with the inside 1-hole washer. Assembly will consist of the handle, 1-hole washer that can be pulled out. The aluminum blind dog shaft can be pulled out from the exterior/outside of the door.
- d. 2-Hole Washer - The 2-hole dog washer that is attached to the inside sheet can be left in place.
- e. Outside Washer (Solid) - Check if the outside solid washer is intact and not damaged. If it is, replace it with a new washer (see parts listing in Section 5). If the outer solid washer is attached to the door with urethane, DO NOT remove it. The seal is sufficient.
- f. New Blind Dog - Disassemble the new blind dog assembly. Refer to the diagrams in Section 4 if necessary or download the appropriate diagram for the blind dog set from [www.theamtstore.com](http://www.theamtstore.com) in order to determine the order of assembly.

### 3. BLIND DOG ASSEMBLY

- a. Shaft - Insert the new shaft with solid washer (might still be attached to the door) from the exterior/outside of the door.

- b. 2-Hole Washer – Ensure that the interior 2-hole washer is in good order and the screws are snug to the door.
- c. 1-Hole Washer – Slide the new 1-hole washer with solid side facing you onto the blind dog shaft against the 2-hole washer. The
- d. Blind Dog Handle - The new blind dog can now slide onto (or screwed on) the blind dog shaft, ensuring that the pin goes through both the 1-hole and 2-hole washers. Check that the blind dog turns 45° when installed in the 2-hole washer.
- e. Secure Handle – Add Loctite 243 to the cap head screw, then screw the outside handle on the blind dog shaft until it sits snug against the outer dog rosette (outside solid washer).

#### 4. MAINTENANCE AND REPLACEMENT PARTS

Nylon dogs do not have replacements parts since it is easier and more cost effective to replace the entire nylon dog set. Although, some parts are available since they are common between aluminum and nylon dogs.

Parts and handles are available for all aluminum dog sets.

Check the compatibility listings as well as all the dog handle parts at [www.theamtstore.com](http://www.theamtstore.com).

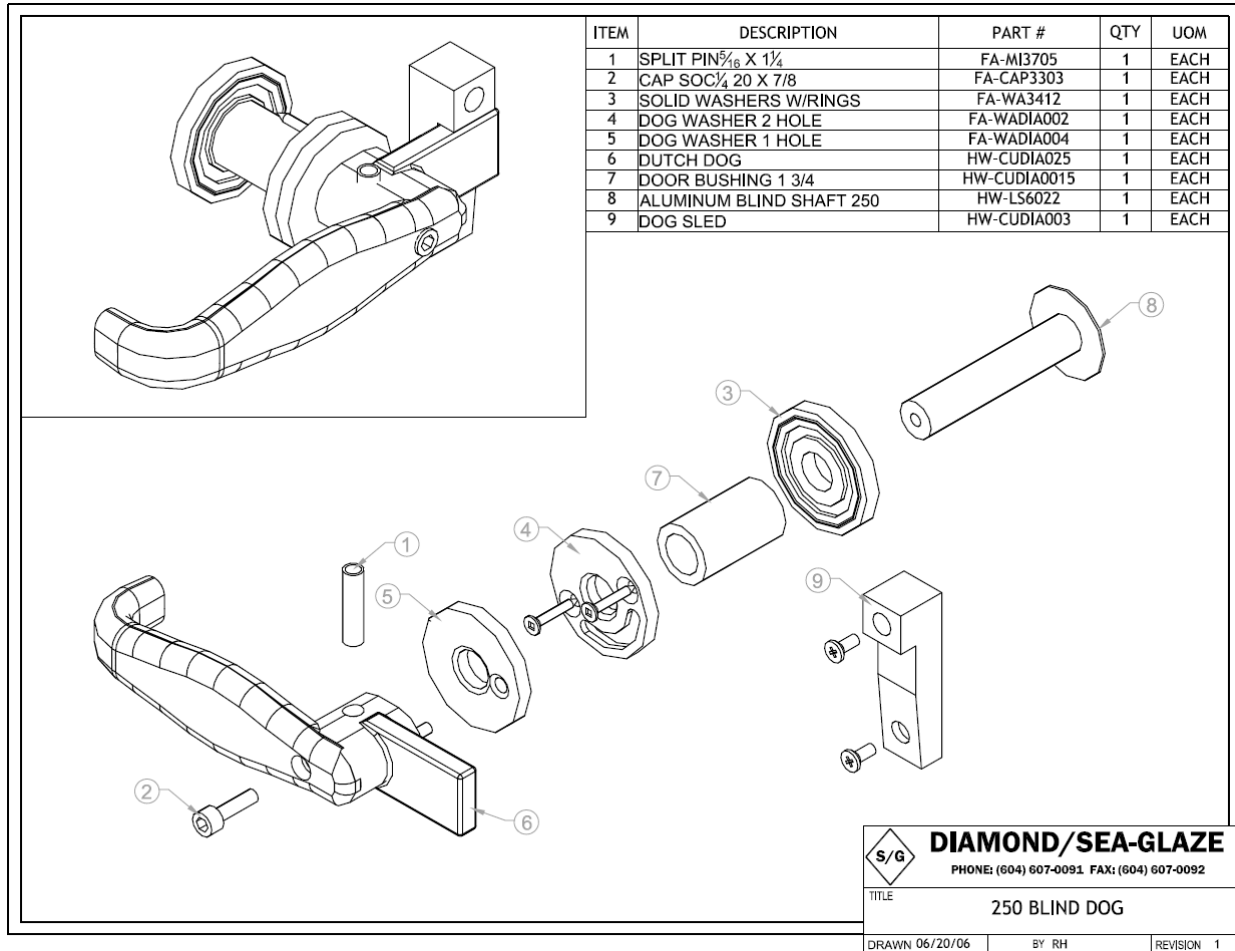


Figure 1: D250 Nylon Dog

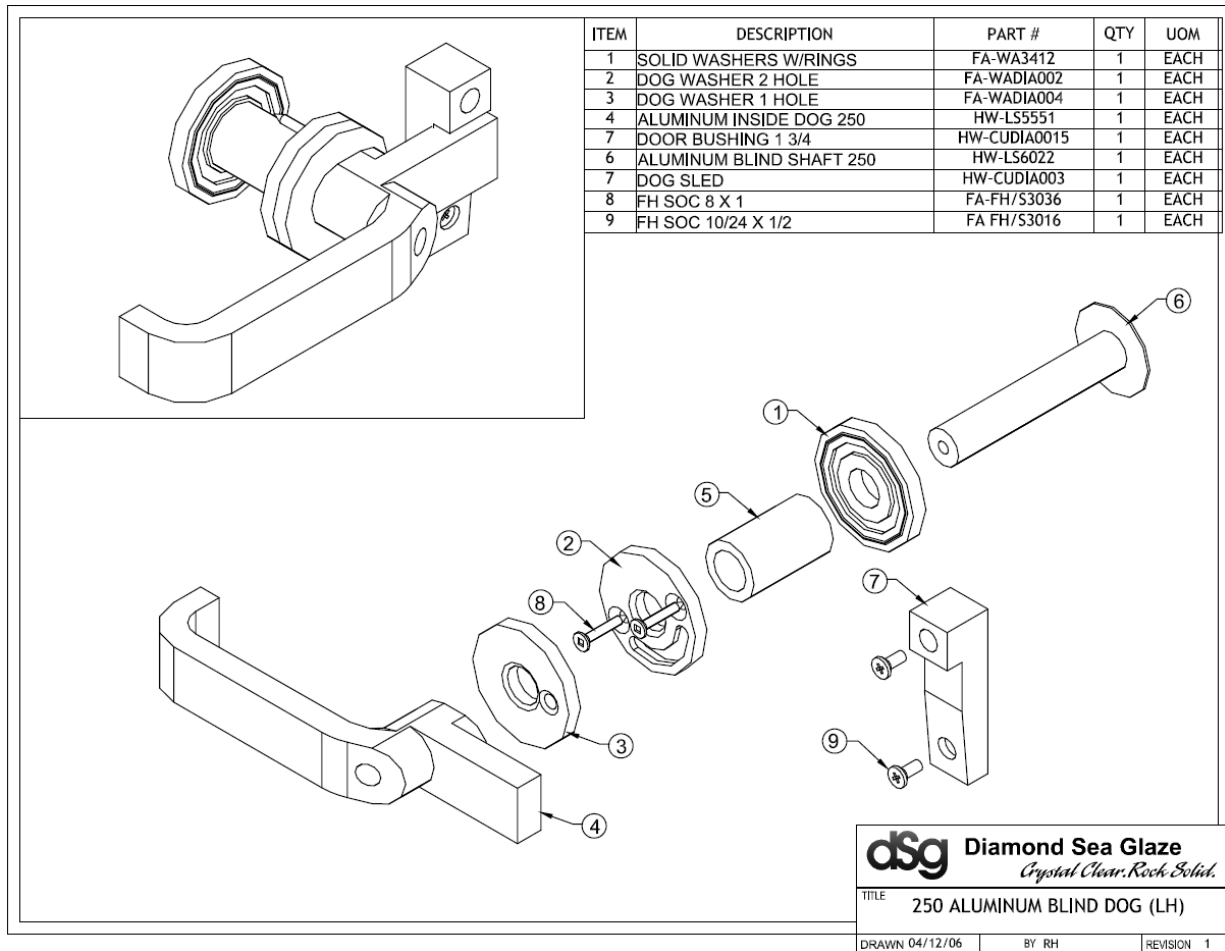


Figure 2: D250 Aluminum Blind Dog

## 5. MAINTENANCE AND REPLACEMENT PARTS

Nylon dogs do not have replacements parts since it is easier and more cost effective to replace the entire nylon dog set. Although, some parts are available since they are common between aluminum and nylon dogs.

Parts and handles are available for all aluminum dog sets.

Check the compatibility listings as well as all the dog handle parts at [www.theamtstore.com](http://www.theamtstore.com).



## 6. PARTS LIST

### D150 Series: Standard Blind Dog Handle Set

| Description                           | Part Number | Notes / Checked |
|---------------------------------------|-------------|-----------------|
| Blind Dog Set, Nylon, Black (Default) | HW-LS5585   |                 |

### D250 Series: Standard Blind Dog Handle Set

| Description                           | Part Number | Notes / Checked                               |
|---------------------------------------|-------------|---|
| Blind Dog Set, Nylon, Black (Default) | HW-LS5584   |   |
| Blind Dog Set, Buffed Aluminum        | HW-LS5608   |   |
| Blind Dog Set, Milled Aluminum        | HW-LS5590   |   |
| Blind Dog Set, Polished Aluminum      | HW-LS5619   | <i>Custom finish option, see color chart.</i> |

### Interior Handle Replacement

There is a vast array of interior blind dog handles, please check online to determine your handle requirements.

| Description   | Part Number | Notes / Checked |
|---|-------------|-----------------|
| Check at <a href="http://www.theamtstore.com">www.theamtstore.com</a> |             |                 |

### Miscellaneous Parts

| Description                                    | Part Number | Notes / Checked |
|--|-------------|-----------------|
| Dog Sled Kit, All Dogs & Blind Dogs            | HW-CUDIA003 |                 |
| Washer, Nylon, 1 Hole, Black                   | FA-WADIA004 |                 |
| Washer, Nylon, 2 Hole, c/w 2 @ 8x1 FH-S, Black | FA-WADIA002 |                 |
| Washer, Solid Nylon, With 2 Rings ("O"), Black | FA-WA3412   |                 |