

D15 HANDLE LOCK REPLACEMENT (SLIDING WINDOWS)

1. TOOLS

- Rubber Hammer
- Screw Driver
- Silicone Adhesive (or Urethane Adhesive)
- Utility Knife
- Window Cleaner

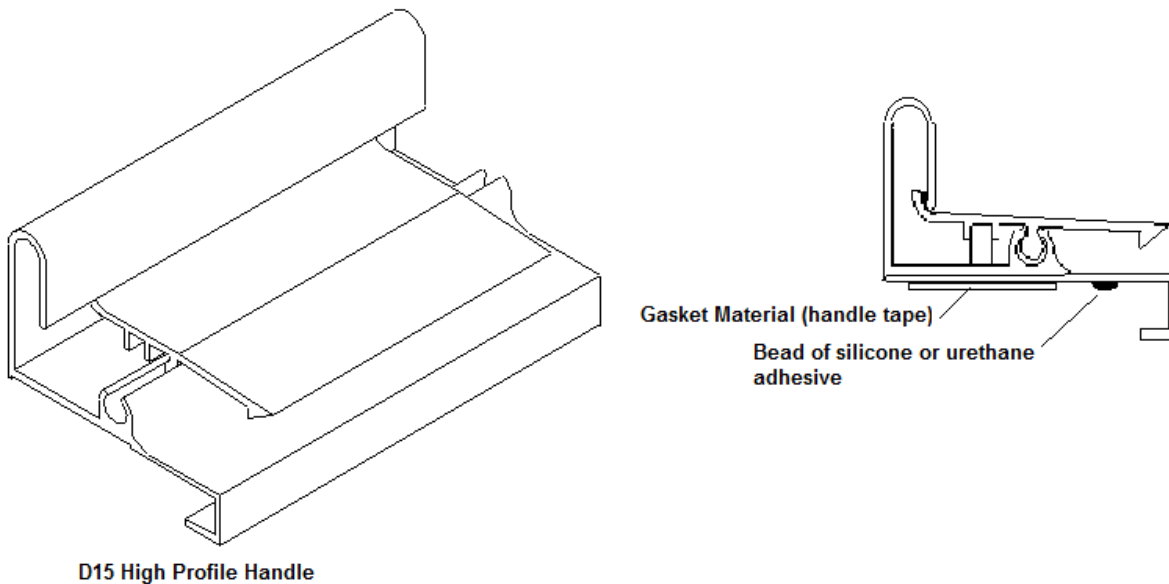
2. HANDLE REMOVAL

- a. Note where the old handle is located on the window by taking a felt pen and tracing an outline around the old handle.
- b. Remove old D15 handle without scratching your window.
- c. Clean the window with particular attention to the area where the new handle will be installed. Do not use any cleaning agents that will leave a residue. Some agents may interfere with the adhesion.

3. HANDLE INSTALLATION STEPS

- a. Clean any old residue off the window.
- b. Peel red backing off of the tape, attached to the D15 handle.
- c. Put a bead of silicone or urethane adhesive on the new handle (as per the diagram). The bead must run the length of the D15 handle beside the handle tape.
- d. Place the new handle in the desired location.
- e. Press handle firmly to make sure that the gasket has adhered to the glass. And that the silicone or urethane adhesive has dispersed evenly.
- f. Let the set-up dry for 24 hours without touching the new handle or window.

4. INSTALLATION DIAGRAM



5. MAINTENANCE AND REPLACEMENT PARTS

The D15 handle is a single part replacement. There are no additional parts available for maintenance or repair.

All parts are available online at www.theamtstore.com.

6. PARTS LIST

D15 Handles

Description	Part Number	Notes / Checked
3-1/4" D15 Handles		
Handle, D15, Black Out, 3-1/4", Anodized	HW-LS5576	
Handle, D15, Black Out, 3-1/4", Painted	HW-LS5577	
Handle, D15, High Profile, 3-1/4", Anodized	HW-LS5566	
Handle, D15, High Profile, 3-1/4", Painted	HW-LS5567	
Handle, D15, Low Profile, 3-1/4", Anodized	HW-LS5563	
Handle, D15, Low Profile, 3-1/4", Painted	HW-LS5564	
20" D15 Handles		
Handle, D15, High Profile, 20" HD, Anodized ()	HW-LS5574	
Handle, D15, High Profile, 20" HD, Painted	HW-LS5575	