



ALUMINUM DOG HANDLE SELECTION GUIDE

1. INTRODUCTION

This dog handle set selection guide is specific to **Aluminum** dog handle sets. The guide will help you determine the exact dog handle kit to replace your existing dog handle set. Each component of the dog handle set has specific measurements and design characteristics that differentiate each part and entire dog sets. For example, bushings, shafts and handles are key differentiators throughout the entire Diamond Sea Glaze door dog handle series since each of the doors will have a different thickness, configurations (Standard, French and Dutch Doors) as well as handle requirements.

Although this part listing might be a little overwhelming, there are some basic steps to ensure that will help you understand which handle set is currently installed. In addition, the listing will help you upgrade your current handle option or find replacement parts for your existing handle sets.

Even though Chrome is an option on the AMT Store, it is not recommended for salt water environments because of durability issues. Diamond Sea Glaze recommends Stainless Steel, Buffed Aluminum or custom painted as alternate options.

2. STEPS

These steps are provided to help you determine the exact handle set that is installed. You may not actually have to measure each item in order to determine the exact handle set installed.

STEP	TASK	DESCRIPTION
1	Handle Material (Aluminum)	Guide is for Aluminum handles only. If you have nylon or stainless steel handles, see their respective guides.
2	Assembly	Take apart the handle assembly. Keep the items in order so you can put the handle back together. Refer to Resources if you need an instruction guide.
3	Handle Depth	Measure the depth of the handle or total height off the door. The D250 has the largest interior handle.
4	Bushing Size	Measure the black nylon bushing length, every bushing is the same diameter.
5	Shaft Length #1	Measures the length of the shaft with one end inserted inside the handle and note the appearance (for example, full threads, large slot, no threads at one end).
6	Shaft Length #2	With the entire shaft removed from both handles, measure the length of the shaft and note its appearance (for example, full threads, large slot, no threads at one end).

3. CHECK LIST

Start with this check list. After you have completed the list, refer to the remaining documents in order to deduce your dog handle set requirements.

Imperial

Door Type	Handle Material	Bushing Length (")	Shaft Length #2 (")	Inside Handle Depth (")	Outside Handle Depth (")	Number of Washers
<input type="checkbox"/> Dutch	<input type="checkbox"/> Nylon	<input type="checkbox"/> 1-7/16 (1.44)	<input type="checkbox"/> 4.17	<input type="checkbox"/> 1-3/4 (1.75)	<input type="checkbox"/> 1-5/8 (1.625)	<input type="checkbox"/> 0
<input type="checkbox"/> French	<input type="checkbox"/> Aluminum	<input type="checkbox"/> 1-5/8 (1.63)	<input type="checkbox"/> 4.6	<input type="checkbox"/> 2-5/16 (2.32)		<input type="checkbox"/> 1
<input type="checkbox"/> Standard	<input type="checkbox"/> Stainless	<input type="checkbox"/> 1-3/4 (1.75)	<input type="checkbox"/> 4.74			<input type="checkbox"/> 2
<input type="checkbox"/> Other		<input type="checkbox"/> 1-15/16 (1.94)				<input type="checkbox"/> 3



Metric

Door Type	Handle Material	Bushing Length (mm)	Shaft Length #2 (mm)	Inside Handle Depth (mm)	Outside Handle Depth (mm)	Number of Washers
<input type="checkbox"/> Dutch	<input type="checkbox"/> Nylon	<input type="checkbox"/> 36.5	<input type="checkbox"/> 105.9	<input type="checkbox"/> 44.4	<input type="checkbox"/> 41.3	<input type="checkbox"/> 0
<input type="checkbox"/> French	<input type="checkbox"/> Aluminum	<input type="checkbox"/> 41.3	<input type="checkbox"/> 117	<input type="checkbox"/> 58.7		<input type="checkbox"/> 1
<input type="checkbox"/> Standard	<input type="checkbox"/> Stainless	<input type="checkbox"/> 44.4	<input type="checkbox"/> 120.4			<input type="checkbox"/> 2
<input type="checkbox"/> Other		<input type="checkbox"/> 49.2	<input type="checkbox"/> 105.9			<input type="checkbox"/> 3

4. ALUMINUM DOG HANDLES

While Nylon handles are the standard and default installation option on all Diamond Sea Glaze doors, milled and painted Aluminum handles are the next most common handle set finish. A good starting point is to review the D250 Dog configurations since the D250 door is the most common door.

Aluminum handles come in a variety of finishes and colors, this make no difference on the exact handle set that is installed. Aluminum finishes include buffed, chrome, milled, polished and painted. Painted finishes can be almost any color, but typical colors are a variation on brown, black or white. See the online Color Resource Guide for more information on color selection.

The D250 and D575 Aluminum handle sets are exactly the same.

A. Handle Bushings (Aluminum Handles):

Bushing Length (")	Bushing Length (mm)	Material	Door Series	Part Number	
1-7/16 (1.44)	36.5	Derlin	D150	HW-CU5025	
1-3/4 (1.75)	44.4	Derlin	D200	HW-CUDIA015	<i>Old Style:</i> Bushing is separate from the washer.
1-15/16 (1.94)	49	Derlin	D200	HW-CU5036	<i>New Style:</i> Bushing and solid washer is combined into one unit.
1-3/4 (1.75)	44.4	Derlin	D250	HW-CUDIA015	
1-3/4 (1.75)	44.4	Derlin	D575	HW-CUDIA015	Same as D250.
1-3/4 (1.75)	44.4	Derlin	D575 F/AP	HW-CUDIA015	F/AP = French Active Panel.

B. Shafts (Aluminum Handles):

Shaft Length (")	Shaft Length (mm)	Material	Door Series	Part Number	Comment
4.17	106	SS316	D150	HW-LS5544	Entire shaft is threaded, threads into inside handle with two split pins holes.
		SS316	D200	HW-LS6032	<i>Old Style:</i>
4.60	117	SS316	D200	HW-LS6031	<i>New Style:</i> Same as D250.
4.60	117	SS316	D250	HW-LS6031	Full thread with long slot at one end.
4.60	117	SS316	D575	HW-LS6031	Same as D250.
4.60	117	SS316	D575 F/AP	HW-LS6031	F/AP = French Active Panel.

C. Handles (Inside Aluminum Handles):

These measurements can be done with the handle attached to the door. Do not worry about the precision of these measurements because there is enough variance to know which handle set. In addition, the information combined with the bushing and shaft will easily help you verify the handle set.

Title: Aluminum Dog Handle Set Selection Guide
Group: Resources
File Name: Dog_Aluminum_Selection_Guide_Resource.pdf
Manufacturer: Diamond Sea Glaze
Revision: 2.0
Date: April 25, 2012



Handle Depth (")	Handle Depth (mm)	Material	Door Series	Part Number (Milled Aluminum)	Comment
1-3/5 (1.75)	44.4	Milled Aluminum	D150	HW-LS5525	Not threaded.
		Milled Aluminum	D200	HW-LS5942	<i>Old Style:</i> Threaded.
2-5/8 (2.625)	66.7	Milled Aluminum	D200	HW-LS6036	<i>New Style:</i> Not threaded, new Watertight design.
2-5/8 (2.625)	66.7	Milled Aluminum	D250	HW-LS6036	Not threaded.
2-5/8 (2.625)	66.7	Milled Aluminum	D575	HW-LS6036	Not threaded.
1-1/2 (1.5)	38.1	Milled Aluminum	D575 F/AP		F/AP = French Active Panel. Not threaded. Smallest depth handle.

D. Handles (Outside Aluminum Handles):

All aluminum handle sets use the exact same outside dog handles, except the new style D200 handle sets.

Handle Depth (")	Handle Depth (mm)	Material	Door Series	Part Number (Milled Aluminum)	Comment
2-5/8 (2.625)	66.7	Milled Aluminum	D150	HW-LS5593	Threaded.
2-5/8 (2.625)	66.7	Milled Aluminum	D200	HW-LS5593	<i>Old Style:</i> Threaded
2-1/4 (2.25)	57.1	Milled Aluminum	D200		<i>New Style:</i> Not threaded, new Watertight design.
2-5/8 (2.625)	66.7	Milled Aluminum	D250	HW-LS5593	Threaded.
2-5/8 (2.625)	66.7	Milled Aluminum	D575	HW-LS5593	Same as D250, threaded.
2-5/8 (2.625)	66.7	Milled Aluminum	D575 F/AP	HW-LS5593	F/AP = French Active Panel

5. HANDLES SETS (MOST COMMON)

Handles

D150 Standard Dog Aluminum – Milled
(HW-LS5530)



D200 Standard Dog Aluminum – Milled
(HW-LS5588)



D250 Standard Dog Aluminum – Milled
(HW-LS5606)



D575 Standard Dog Aluminum – Milled
(HW-LS5596)



D575 French Active Panel Dog Aluminum – Milled
(HW-LS5606)



Bushings

<p>Door Dog Handle Bushings (1-7/16, 1-5/8, 1-3/4)</p> 	<p>D200 Dog/Blind Dog Handle Bushing (Used in Nylon & Aluminum D200 handle sets)</p> 
--	---

Shafts

<p>Shaft – D150 Nylon Dogs (HW-LS5544)</p> 	<p>Shaft - D250 Nylon Dogs (HW-LS6019)</p> 	<p>Shaft - D250 Aluminum Dogs (HW-LS6031)</p> 
--	---	---

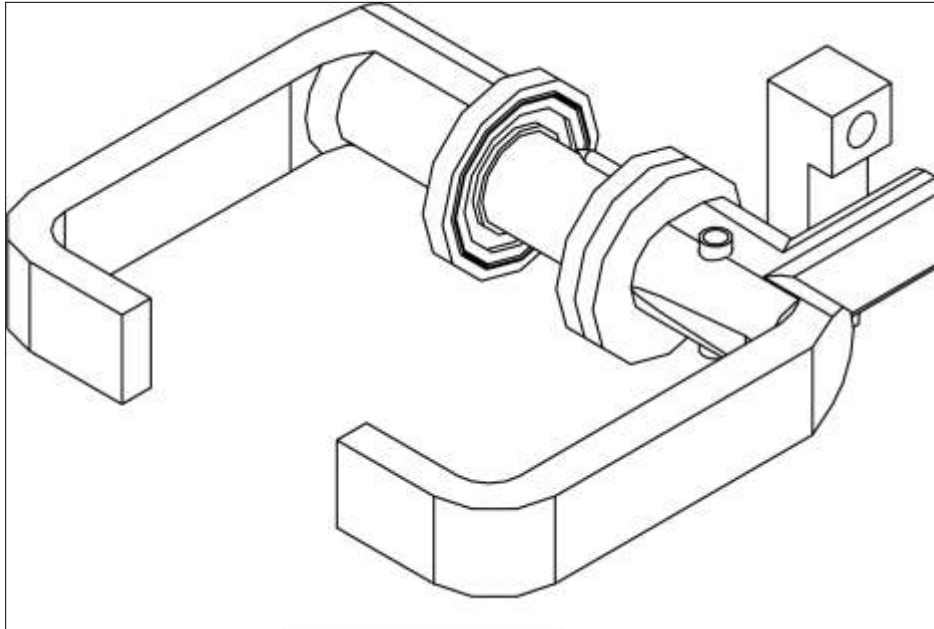
Washers

<p>Dog Washer – Solid (FA-WA3412)</p> 	<p>Dog Washer – 1-Hole (FA-WA3420)</p> 	<p>Dog Washer – 2-Hole (FA-WADIA002)</p> 
---	--	--

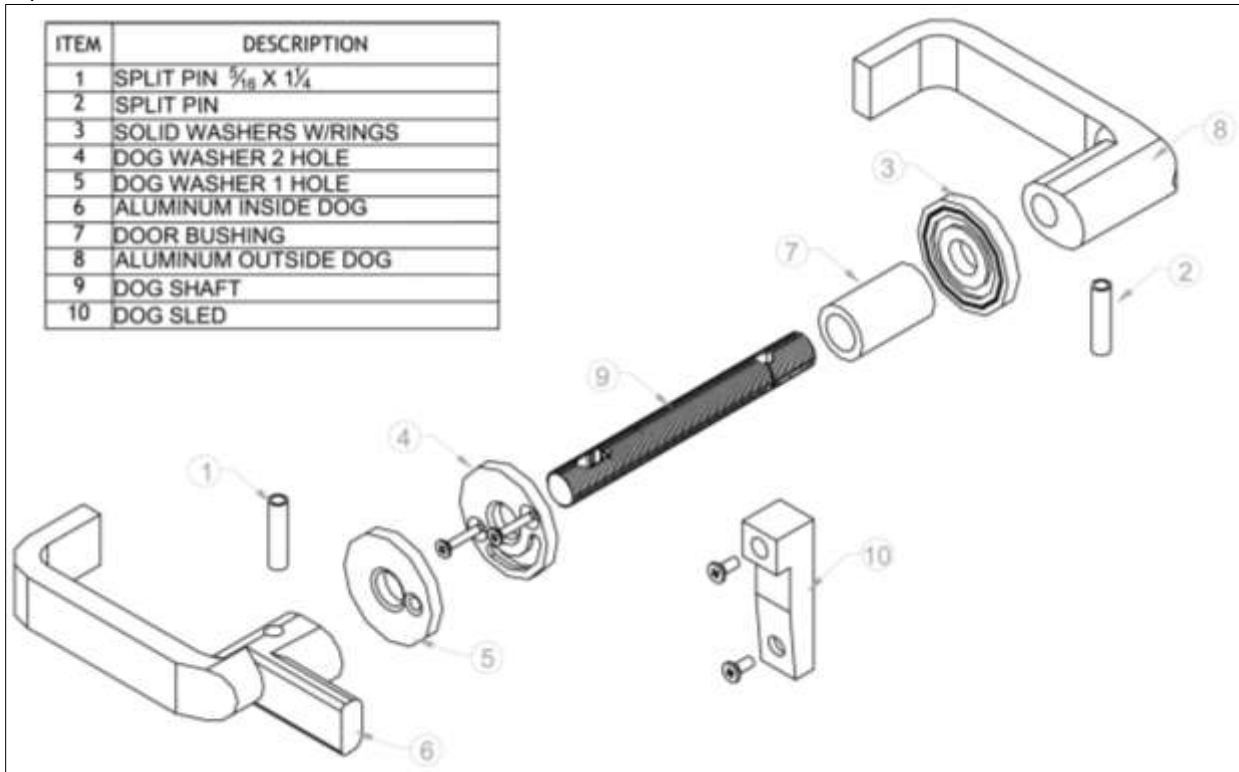
6. ASSEMBLY (D250 EXAMPLE)

This example of the D250 Aluminum Dog assembly and parts drawing should help with the review of the parts requirements.

Assembled:

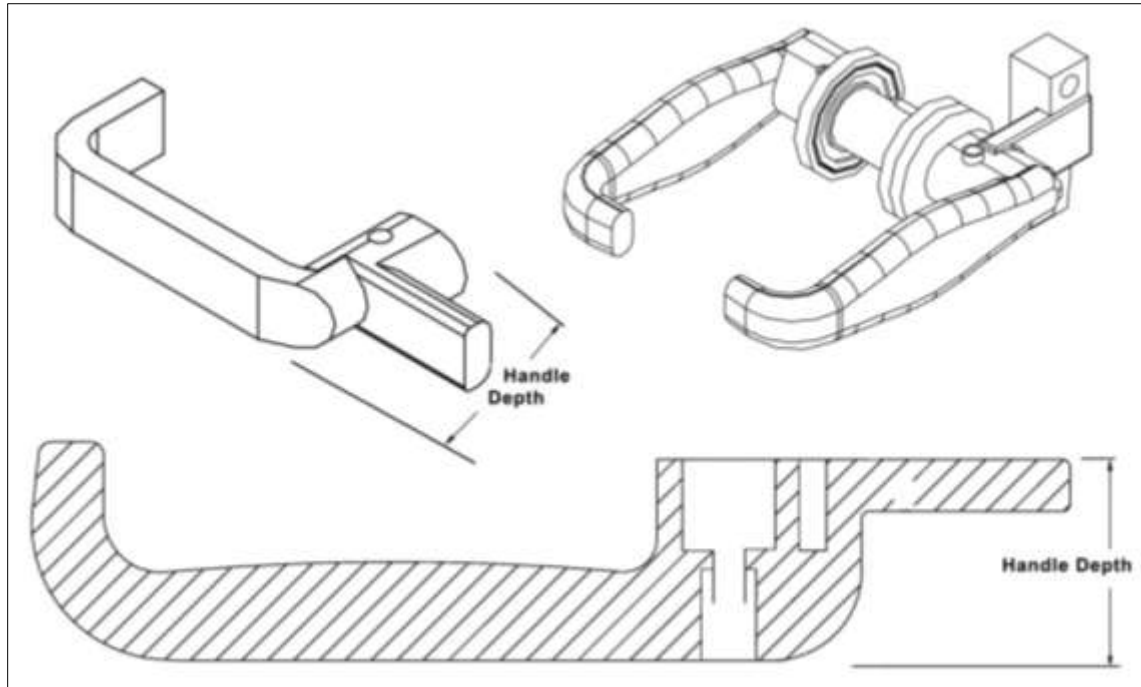


Exploded View:



7. HANDLE DEPTH

Likely the most common question is “what is handle depth” and “how do I measure it”. The following example defines the handle depth.



8. PARTS LISTING

D150 Series: Standard Dog Handle Parts and Sets

Description	Part Number	Notes / Checked
Dog Set, Nylon 6/6, Black, D150 Series	HW-LS5523	Default and Standard
Dog Set, Buffed Aluminum, D150 Series	HW-LS5598	
Dog Set, Milled Aluminum, D150 Series	HW-LS5530	
Dog Set, Polished Aluminum, D150 Series	HW-LS5602	
Dog Set, Painted Aluminum, D150 Series	HW-LS5600	<i>Custom finish option, see color chart.</i>

D250 Series: Standard Dog Handle Parts and Sets

Description	Part Number	Notes / Checked
Dog Set, Nylon 6/6, Black, D250/D575 Series	HW-LS5524	Default and Standard
Dog Set, Buffed Aluminum, D250 Series	HW-LS5528	
Dog Set, Milled Aluminum, D250 Series	HW-LS5606	
Dog Set, Polished Aluminum, D250 Series	HW-LS5618	
Dog Set, Painted Aluminum, D250 Series	HW-LS5612	<i>Custom finish option, see color chart.</i>

D575 Series: Standard Dog Handle Parts and Sets

Description	Part Number	Notes / Checked
Dog Set, Nylon 6/6, Black, D575 Series	HW-LS5524	<i>Note: Same as D250.</i>
Dog Set, Buffed Aluminum, D575 Series	HW-LS5638	
Dog Set, Milled Aluminum, D575 Series	HW-LS5596	
Dog Set, Polished Aluminum, D575 Series	HW-LS5640	
Dog Set, Painted Aluminum, D575 Series	HW-LS5639	<i>Custom finish option, see color chart.</i>

Title: Aluminum Dog Handle Set Selection Guide
Group: Resources
File Name: Dog_Aluminum_Selection_Guide_Resource.pdf
Manufacturer: Diamond Sea Glaze
Revision: 2.0
Date: April 25, 2012



Miscellaneous Parts

Description	Part Number	Notes / Checked
Split Pin, 1/8" x 1, 18.8 SS (Old Style)	FA-MI3706	Discontinued.
Split Pin, 5/16" x 1", 18.8 SS	FA-MI3751	Attaches Exterior Handle to Shaft
Split Pin, 5/16" x 1-1/4", 18.8 SS	FA-MI3705	Attaches Exterior Handle to Shaft
Dog Sled Kit	HW-CUDIA003	All Dogs & Blind Dogs
Washer, Nylon, 1 Hole, Black	FA-WADIA004	
Washer, Nylon, 2 Hole	FA-WADIA002	
Washer, Solid Nylon, With 2 Rings ("O"), Black	FA-WA3412	

Exterior Handle Replacement

Description	Part Number	Notes / Checked
Dog Handle Only, Exterior, Nylon 6/6, Black	HW-CUDIA024	<i>Fits all D150, D200, D250, D575 doors.</i>
Dog Handle Only, Exterior, Buffed Aluminum	HW-LS5552	
Dog Handle Only, Exterior, Milled Aluminum	HW-LS5943	
Dog Handle Only, Exterior, Polished Aluminum	HW-LS6044	
Dog Handle Only, Exterior, Painted Aluminum	Custom Request	<i>Custom finish option, see color chart.</i>

Interior Handle Replacement

There is a vast array of interior handles, please check online to determine your handle requirements.

Description	Part Number	Notes / Checked
Check at www.theamtstore.com		

9. QUESTIONS

Email	sales@theamtstore.com
Telephone	604-607-0091
Toll Free North America	1-800-770-0455
Online	www.theamtstore.com