



NYLON DOG HANDLE SELECTION GUIDE

1. INTRODUCTION

This dog handle set selection guide is specific to **Nylon** dog handle sets. The guide will help you determine the exact dog handle kit to replace your existing dog handle set. Each component of the dog handle set has specific measurements and design characteristics that differentiate each part and entire dog sets. For example, bushings, shafts and handles are key differentiators throughout the entire Diamond Sea Glaze door dog handle series since each of the doors will have a different thickness, configurations (Standard, French and Dutch Doors) as well as handle requirements.

Although this part listing might be a little overwhelming, there are some basic steps to ensure that will help you understand which handle set is currently installed. In addition, the listing will help you upgrade your current handle option or find replacement parts for your existing handle sets.

Even though Chrome is an option on the AMT Store, it is not recommended for salt water environments because of durability issues. Diamond Sea Glaze recommends Stainless Steel, Buffed Aluminum or custom painted as alternate options.

2. STEPS

These steps are provided to help you determine the exact handle set that is installed. You may not actually have to measure each item in order to determine the exact handle set installed.

STEP	TASK	DESCRIPTION
1	Handle Material (Nylon)	Guide is for Nylon handles only. If you have a stainless steel or aluminum (milled, painted, polished, buffed or chrome), see the Aluminum guide.
2	Assembly	Take apart the handle assembly. Keep the items in order so you can put the handle back together. Refer to Resources if you need an instruction guide.
3	Handle Depth	Measure the depth of the handle or total height off the door. The D250 is the largest handle and most common handle set.
4	Bushing Size	Measure the black nylon bushing length, every bushing is the same diameter.
5	Shaft Length #1	Measures the length of the shaft with one end inserted inside the handle and note the appearance (for example, full threads, large slot, no threads at one end).
6	Shaft Length #2	With the entire shaft removed from both handles, measure the length of the shaft and note its appearance (for example, full threads, large slot, no threads at one end).

3. CHECK LIST

Start with this check list. After you have completed the list, refer to the remaining documents in order to deduce your dog handle set requirements.

Imperial

Door Type	Handle Material	Bushing Length (")	Shaft Length #2 (")	Inside Handle Depth (")	Outside Handle Depth (")	Number of Washers
<input type="checkbox"/> Dutch	<input type="checkbox"/> Nylon	<input type="checkbox"/> 1-7/16 (1.44)	<input type="checkbox"/> 4.17	<input type="checkbox"/> 1-3/4 (1.75)	<input type="checkbox"/> 1-5/8 (1.625)	<input type="checkbox"/> 0
<input type="checkbox"/> French	<input type="checkbox"/> Aluminum	<input type="checkbox"/> 1-5/8 (1.63)	<input type="checkbox"/> 4.6	<input type="checkbox"/> 2-5/16 (2.32)		<input type="checkbox"/> 1
<input type="checkbox"/> Standard	<input type="checkbox"/> Stainless	<input type="checkbox"/> 1-3/4 (1.75)	<input type="checkbox"/> 4.74			<input type="checkbox"/> 2
<input type="checkbox"/> Other		<input type="checkbox"/> 1-15/16 (1.94)				<input type="checkbox"/> 3



Metric

Door Type	Handle Material	Bushing Length (mm)	Shaft Length #2 (mm)	Inside Handle Depth (mm)	Outside Handle Depth (mm)	Number of Washers
<input type="checkbox"/> Dutch	<input type="checkbox"/> Nylon	<input type="checkbox"/> 36.5	<input type="checkbox"/> 105.9	<input type="checkbox"/> 44.4	<input type="checkbox"/> 41.3	<input type="checkbox"/> 0
<input type="checkbox"/> French	<input type="checkbox"/> Aluminum	<input type="checkbox"/> 41.3	<input type="checkbox"/> 117	<input type="checkbox"/> 58.7		<input type="checkbox"/> 1
<input type="checkbox"/> Standard	<input type="checkbox"/> Stainless	<input type="checkbox"/> 44.4	<input type="checkbox"/> 120.4			<input type="checkbox"/> 2
<input type="checkbox"/> Other		<input type="checkbox"/> 49.2	<input type="checkbox"/> 105.9			<input type="checkbox"/> 3

4. NYLON DOG HANDLE SETS

Nylon handles are the standard and default installation option on all Diamond Sea Glaze doors including the D150, D200, D250 and D575 doors as well as the French & Dutch door styles. If the handle is custom painted, aluminum (milled, buffed, polished or chrome) or stainless steel, see their respective selection guides.

The D250 door is the most common door; therefore, the D250 dog handle set is the most common configuration.

A. Bushings (Nylon Handles)

Derlin (a black nylon material) bushings are located in between both handles.

Bushing Length (")	Bushing Length (mm)	Bushing Material	Door Series	Part Number	Comment
1-7/16 (1.44)	36.5	Derlin	D150 D150 F/AP	HW-CU5025	F/AP = French Active Panel
1-3/4 (1.75)	44.4	Derlin	D200	HW-CUDIA015	<i>Old Style:</i> Replaced by Watertight assembly with single bushing/washer.
1-15/16 (1.94)	49.2	Derlin	D200	HW-CU5036	<i>New Style:</i> Bushing and solid washer as one piece.
1-5/8 (1.63)	41.3	Derlin	D250	HW-CUDIA016	Most common bushing and handle set.
1-3/4 (1.75)	44.4	Derlin	D575	HW-CUDIA015	<i>Note:</i> In some cases, the 1-7/8" is in the kit??? Confirm.

B. Shafts (Nylon Handles)

Made of stainless steel, the shaft is typically threaded at one end and inserted and pinned at the other end.

Full Shaft (Both handles removed)

Shaft Length (")	Shaft Length (mm)	Shaft Material	Door Series	Part Number	Comment
4.17	105.9	SS316	D150	HW-LS5544 (alt. HW-LS6019)	Two shafts have been used, (1) Shaft fully threaded and (2) Partially threaded at one end (same as D250)
		SS316	D200	HW-LS6032	<i>Old Style:</i> Original D200 shaft.
		Aluminum	D200		<i>New Style:</i> Non-threaded shaft for D200 Watertight handles.
4.74	120.4	SS316	D250	HW-LS6019	Partially threaded at one end.
4.60	117	SS316	D575	HW-LS6031	Old name often referred to as the "Jet Turn Shaft" with the long slot at one end.



Partial Shaft (Still installed on the inside dog)

Shaft Length (")	Shaft Length (mm)	Shaft Material	Door Series	Part Number	Comment
3-1/8 (3.125)	79.4	SS316	D150	HW-LS5544	
		SS316	D200		<i>Old Style:</i> Shaft has no threads.
2-13/16 (2.82)	71.6	Aluminum	D200	HW-LS6032	<i>New Style:</i> Shaft has no threads.
3-1/8 (3.125)	79.4	SS316	D250	HW-LS6019	Threaded portion revealed, single drilled hole in shaft.
		SS316	D575	HW-LS6031	

C. Handles - Inside (Nylon Handles)

This measurement can be done while the handle is installed. Do not worry about the precision of this measurement because there is enough variance to know which handle set is installed with the addition of a bushing and/or shaft measurement.

Handle Depth (")	Handle Depth (mm)	Material	Door Series	Part Number	Comment
1-3/4 (1.75)	44.4	Nylon	D150	HW-CUDIA008	D150 non-threaded Dog handle.
1-3/4 (1.75)	44.4	Nylon	D200	HW-CUDIA008	Old style: D150 threaded Dog handle, with individuals bushings and washers.
1-3/4 (1.75)	44.4	Nylon	D200		<i>New Style:</i> Blind Dog handle, handle slides on, Allan key secures it. Very short handle pin.
2-5/16 (2.32)	58.7	Nylon	D250	HW-LSDIA023	Handle is not threaded, shaft slides into the handle and split pin added.
2-5/16 (2.32)	58.7	Nylon	D575	HW-CUDIA025	D150 threaded handle.

D. Handles - Outside (Nylon Handles)

All nylon handle sets use the exact same outside dog handles.

Handle Depth (")	Handle Depth (mm)	Material	Door Series	Part Number	Comment
1-5/8 (1.625)	41.3	Nylon	D150	HW-CUDIA024	Threaded and split pin added.
1-5/8 (1.625)	41.3	Nylon	D200	HW-CUDIA024	Threaded and split pin added for <i>Old</i> and <i>New Style</i> .
1-5/8 (1.625)	41.3	Nylon	D250	HW-CUDIA024	Threaded and split pin added.
1-5/8 (1.625)	41.3	Nylon	D575	HW-CUDIA024	Threaded and split pin added.

5. HANDLES SETS (MOST COMMON)

Handles

D150 Standard Dog Nylon
(HW-LS5523)



D200 Standard Dog Nylon
(HW-LS5580)



D250 Standard Dog Nylon
(HW-LS5524)



Bushings

Door Dog Handle Bushings
(1-7/16, 1-5/8, 1-3/4)



D200 Dog/Blind Dog Handle Bushing
(Used in Nylon & Aluminum D200 handle sets)



Shafts

<p>Shaft – D150 Nylon Dogs (HW-LS5544)</p> 	<p>Shaft - D250 Nylon Dogs (HW-LS6019)</p> 	<p>Shaft - D250 Aluminum Dogs (HW-LS6031)</p> 
--	---	---

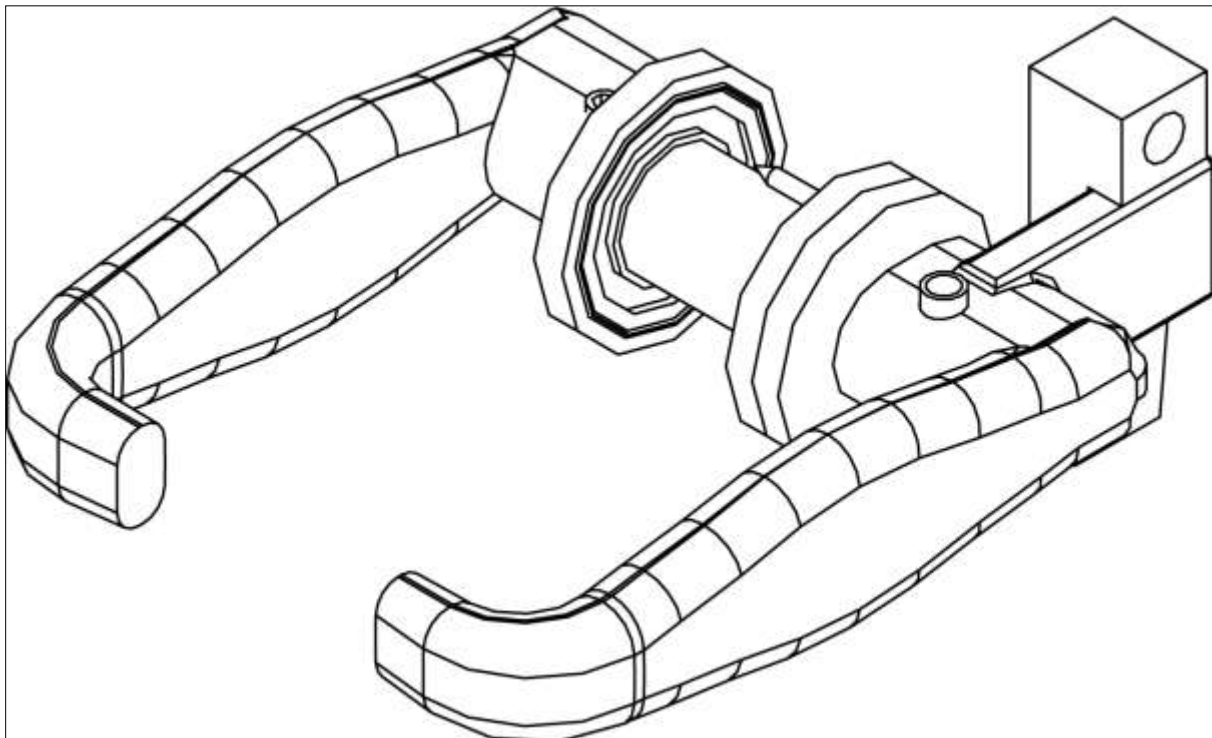
Washers

<p>Dog Washer – Solid (FA-WA3412)</p> 	<p>Dog Washer – 1-Hole (FA-WA3420)</p> 	<p>Dog Washer – 2-Hole (FA-WADIA002)</p> 
---	--	--

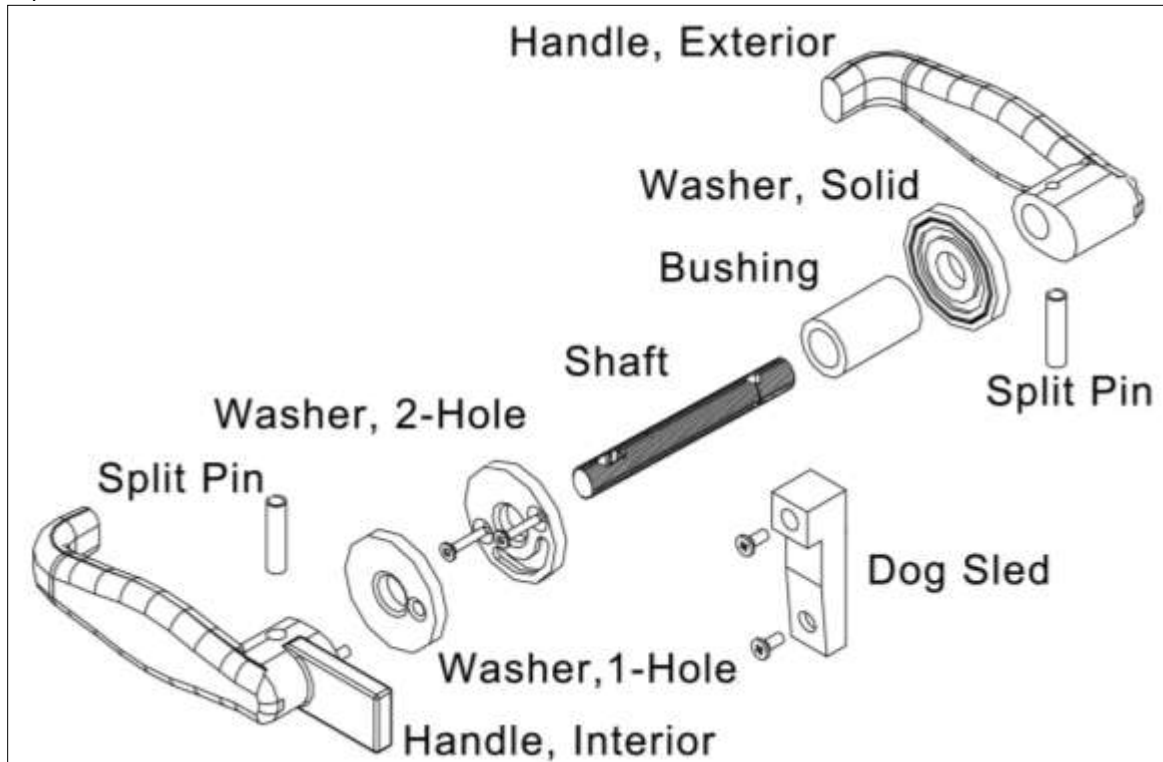
6. ASSEMBLY (D250 EXAMPLE)

This example of the D250 Nylon Dog assembly and parts drawing should help with the review of the parts requirements.

Assembled:

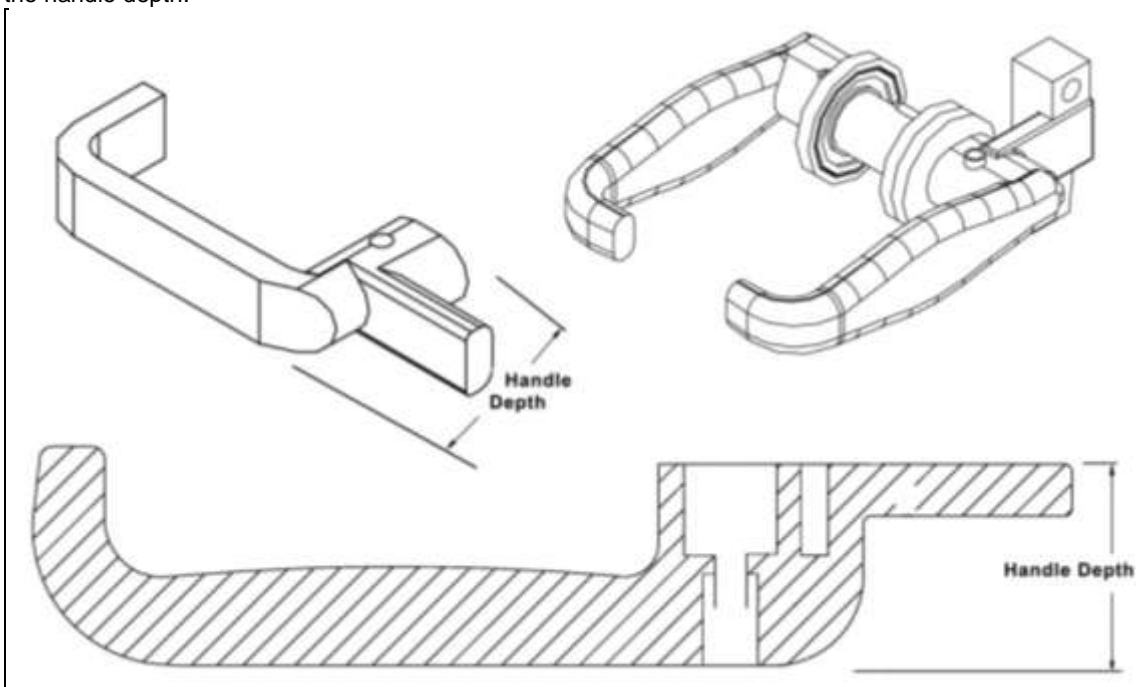


Exploded View:



7. HANDLE DEPTH

Likely the most common question is “what is handle depth” and “how do I measure it”. The following example defines the handle depth.





8. PARTS LISTING

If you are replacing Nylon dog set(s), this is a great time to consider an upgrade to an aluminum or stainless steel handle. Check online at www.theamtstore.com to review your options.

D150 Series: Standard Dog Handle Parts and Sets

Description	Part Number	Notes / Checked
Dog Set, Nylon 6/6, Black, D150 Series	HW-LS5523	Default and Standard
Dog Set, Buffed Aluminum, D150 Series	HW-LS5598	
Dog Set, Milled Aluminum, D150 Series	HW-LS5530	
Dog Set, Polished Aluminum, D150 Series	HW-LS5602	
Dog Set, Painted Aluminum, D150 Series	HW-LS5600	<i>Custom finish option, see color chart.</i>

D250 Series: Standard Dog Handle Parts and Sets

Description	Part Number	Notes / Checked
Dog Set, Nylon 6/6, Black, D250/D575 Series	HW-LS5524	Default and Standard
Dog Set, Buffed Aluminum, D250 Series	HW-LS5528	
Dog Set, Milled Aluminum, D250 Series	HW-LS5606	
Dog Set, Polished Aluminum, D250 Series	HW-LS5618	
Dog Set, Painted Aluminum, D250 Series	HW-LS5612	<i>Custom finish option, see color chart.</i>

D575 Series: Standard Dog Handle Parts and Sets

Description	Part Number	Notes / Checked
Dog Set, Nylon 6/6, Black, D575 Series	HW-LS5524	<i>Note: Same as D250.</i>
Dog Set, Buffed Aluminum, D575 Series	HW-LS5638	
Dog Set, Milled Aluminum, D575 Series	HW-LS5596	
Dog Set, Polished Aluminum, D575 Series	HW-LS5640	
Dog Set, Painted Aluminum, D575 Series	HW-LS5639	<i>Custom finish option, see color chart.</i>

Miscellaneous Parts

Description	Part Number	Notes / Checked
Split Pin, 1/8" x 1, 18.8 SS (Old Style)	FA-MI3706	Discontinued.
Split Pin, 5/16" x 1", 18.8 SS	FA-MI3751	Attaches Exterior Handle to Shaft
Split Pin, 5/16" x 1-1/4", 18.8 SS	FA-MI3705	Attaches Exterior Handle to Shaft
Dog Sled Kit	HW-CUDIA003	All Dogs & Blind Dogs
Washer, Nylon, 1 Hole, Black	FA-WADIA004	
Washer, Nylon, 2 Hole	FA-WADIA002	
Washer, Solid Nylon, With 2 Rings ("O"), Black	FA-WA3412	

Exterior Handle Replacement

Description	Part Number	Notes / Checked
Dog Handle Only, Exterior, Nylon 6/6, Black	HW-CUDIA024	<i>Fits all D150, D200, D250, D575 doors.</i>
Dog Handle Only, Exterior, Buffed Aluminum	HW-LS5552	
Dog Handle Only, Exterior, Milled Aluminum	HW-LS5943	
Dog Handle Only, Exterior, Polished Aluminum	HW-LS6044	
Dog Handle Only, Exterior, Painted Aluminum	Custom Request	<i>Custom finish option, see color chart.</i>

Interior Handle Replacement

There is a vast array of interior handles, please check online to determine your handle requirements.

Description	Part Number	Notes / Checked
Check at www.theamtstore.com		

Title: Nylon Dog Handle Set Selection Guide
Group: Resources
File Name: Dog_Nylon_Selection_Guide_Resource.pdf
Manufacturer: Diamond Sea Glaze
Revision: 2.0
Date: April 25, 2012



9. QUESTIONS

Email	sales@theamtstore.com
Telephone	604-607-0091
Toll Free North America	1-800-770-0455
Online	www.theamtstore.com