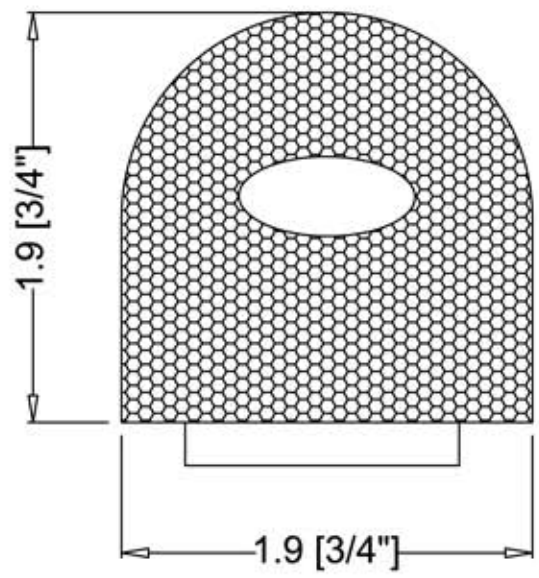


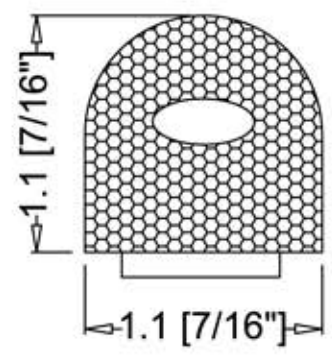
REVISION #	DATE	CHANGES MADE
------------	------	--------------

AD-GA7800



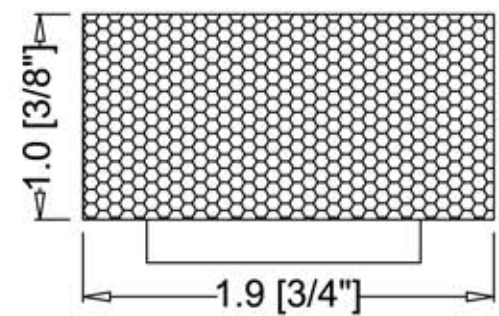
250 GASKET

AD-GA7812



150 GASKET

AD-GA7807



250 FLAT BAR GASKET

NOTES:

DRAWING NUMBER		SHEET NUMBER	
DRGSKT		1	
SCALE	BY	DATE	
NTS	RH	03/02/10	

DIAMOND/SEAGLAZE MANUFACTURING LTD.  
 26995 GLOUCESTER WAY, LANGLEY B.C.  
 CANADA V4W-3Y3  
 TOLL FREE: 1-800-770-0455  
 PHONE: 604-607-0091  
 FAX: 604-607-0092

**dSg** Diamond Sea Glaze  
*Crystal Clear. Rock Solid.*

ALL DRAWINGS AND ANY ASSOCIATED INFORMATION HEREON CONTAIN PROPRIETARY AND/OR CONFIDENTIAL INFORMATION, AND SHALL NOT BE REPRODUCED, DISCLOSED OR SUBMITTED TO ANY THIRD PARTY WITHOUT PRIOR CONSENT FROM DIAMOND SEA-GLAZE MANUFACTURING LTD.

CUSTOMER	GASKETS
ITEM DESCRIPTION	DOOR GASKETS