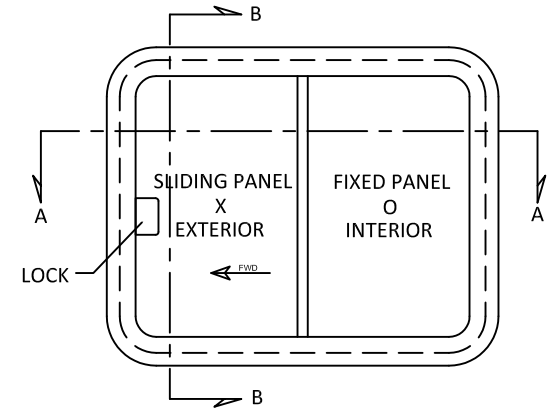
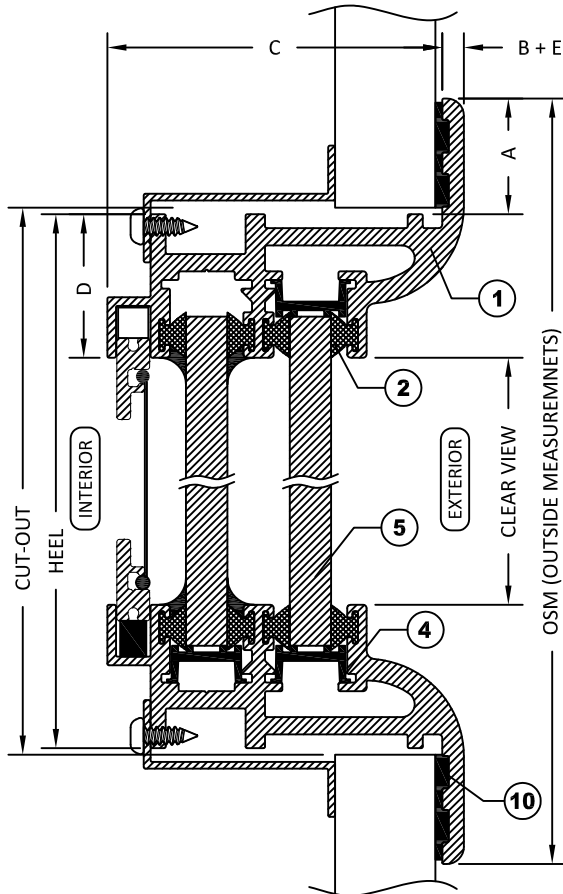


OPTIONAL BOLT-ON INSTALLATION

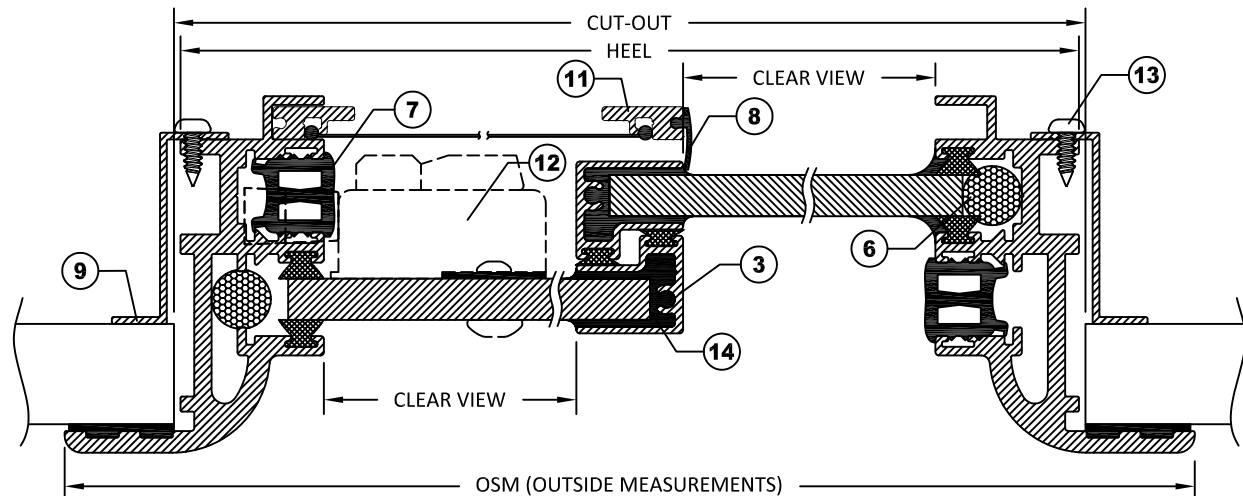
ITEMS			
ID	DESCRIPTION	MATERIAL	PART NUMBER
1	MOUNTING FRAME	6063 ALUMINUM	MT-EX22368
2	T-BAR WEATHER STRIP W/FIN	HAIR	AD-WS187_8335D5
3	T-BAR	6063 ALUMINUM	MT-EX23632
4	TRACK	RIDGID PVC	AD-VY1802
5	GLAZING	GLASS 13mm (1/2")	
6	BACKER ROD	FOAM	AD-BR5/8
7	PLUG/STOP	FLEXIBLE PVC	AD-VY2170B
8	T-BAR FLAP	FLEXIBLE PVC	AD-VY1801
9	TRIM RING	6063 ALUMINUM	
10	BEDDING COMPOUND	CUSTOMER SUPPLY	
11	SCREEN (OPTIONAL)	6063 ALUMINUM	
12	LOCK	NYLON	HW-LS5546
13	TRIM SCREWS		
14	SEALANT	SILICONE	



STANDARD DIMENSIONS		
ID	DESCRIPTION	DIMENSION
A	FLANGE COVERAGE	27mm (1 1/16")
B	EXTERIOR PROTRUSION	5mm (3/16")
C	INTERIOR PROTRUSION	76mm (3")
D	SPIGOT TO CLEAR VIEW	33mm (1 5/16")
E	FLANGE THICKNESS	5mm (3/16")



SECTION B-B WITH CLAMP IN INSTALLATION



SECTION A-A WITH CLAMP IN INSTALLATION

NOTES:

- GENERAL HEEL TOLERANCE +0/-1/4" OVERALL
- AVAILABLE WITH 4"(102MM) RADIUS OR MITERED CORNERS
- STANDARD MOUNTING HOLES ARE 3/16" WITH #10 COUNTERSUNK ON 6" NOMINAL CENTERS

DRAWING NUMBER

150S

DIAMOND SEA GLAZE MANUFACTURING LTD.
26995 GLOUCESTER WAY, LANGLEY B.C.
CANADA V4W 3Y3
TOLL FREE: 1-800-770-0455
PHONE: 604-607-0091
FAX: 604-607-0092

SCALE

NTS

BY

LD



ITEM NAME

150S

REVISION

1

ITEM DESCRIPTION

SLIDING OPENING WINDOW

ALL DRAWINGS AND ANY ASSOCIATED INFORMATION HEREON CONTAIN PROPRIETARY AND/OR CONFIDENTIAL INFORMATION, AND SHALL NOT BE REPRODUCED, DISCLOSED OR SUBMITTED TO ANY THIRD PARTY WITHOUT PRIOR CONSENT FROM DIAMOND SEA GLAZE MANUFACTURING LTD.