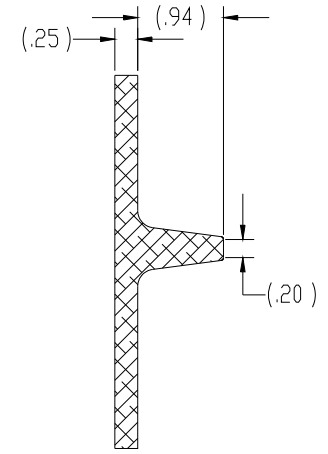


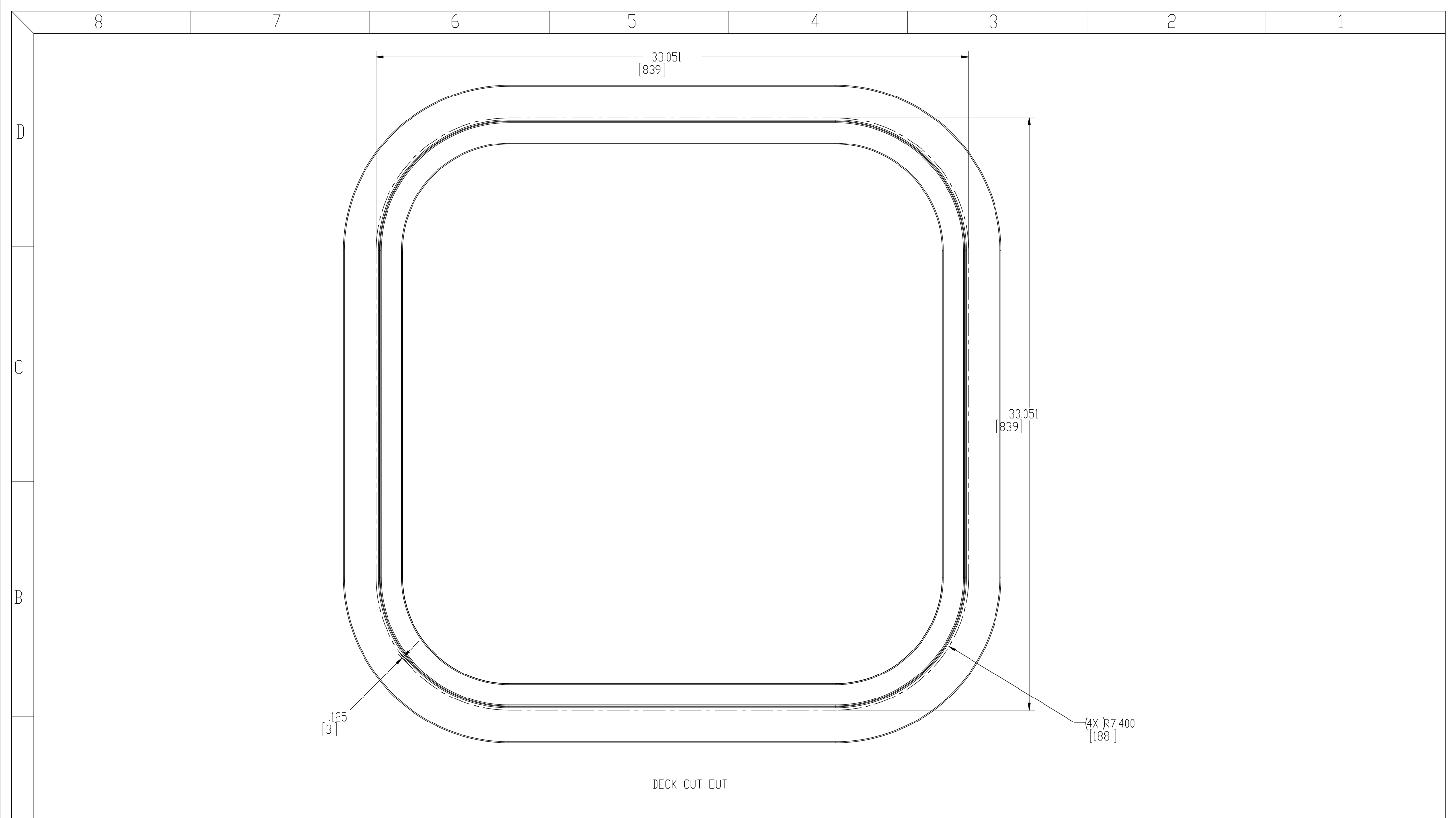
ITEM NO.	QTY.	PART NUMBER	DESCRIPTION	MATERIAL
12	1	0031-2058	BUSHING ASSY, W/ O-RING, NO SLEEVE	ACETRON/RUBBER
11	1	0212-2017	ACTUATOR, 316LD S/S	STAINLESS STEEL, 316L
10	1	0021-2005	HANDLE, S/S, ROUND BAR	STAINLESS STEEL, 316
9	1	0411-2004	PIN, KNURLED, 1/4 X 2-1/4, 316 S/S	STAINLESS STEEL, 316L
8	4	0411-2032	LOCKNUT, NYLON INSERT, 3/8-16, 316 S/S	STAINLESS STEEL, 316
7	4	0411-2033	WASHER, .406 X 1.25 X .125, 316 S/S	STAINLESS STEEL, 316
6	4	0413-2005	WASHER, .406 X 1.250 X .062 NYLON	NYLON
5	4	0212-2013	DOG, LOCKING ARM 3030, 316L S/S	STAINLESS STEEL, 316L
4	1	0212-2015	HUB, 4 HOLE, 316L S/S	CAST STAINLESS STEEL
3	1	9813-2005	GASKET: 3030ALR (9.46 FT. OF 0631-9813)	NEOPRENE, 25 DURD
2	1	2426-3001	COVER: 3030AL ALUM, FINISHED CASTING	ALUMINUM, 356.2-F
1	1	2426-1002	RING: 3030K ALUM	ALUMINUM, 356.2-F



SECTION B-B  
SCALE 1 : 1

SPECIFICATIONS SUBJECT TO CHANGE WITHOUT NOTICE.		<b>FREEMAN MARINE EQUIPMENT, INC.</b> 28336 HUNTER CREEK ROAD GOLD BEACH, OR 97444 U.S.A. PHONE: 541-247-7078 FAX: 541-247-2114 www.freemarmarine.com	
PROJECTION		CLIENT: FREEMAN MARINE	
UNLESS OTHERWISE SPECIFIED DIMENSIONS ARE IN INCHES. TOLERANCES FOR ROUGH AND CLEAR OPENING ± .125 INCH. ALL OTHERS ARE:		TITLE: 30" X 30" SQUARE "K" STYLE ALUMINUM CAST HATCH, ALUMINUM DECK RING W/ INTEGRAL TOPSIDE HANDLE	
X XX XXX ANGLES ±.1 ±.03 ±.010 ±2°		DRAWN: G MACEACHERN DATE: 02MAY07 CHECKED: D YDES DATE: 19JUL11 ENGR: DATE: DESIGN ACTIVITY: DATE: CONTRACT NO:	
DO NOT SCALE DRAWING		SIZE: D CAGE CODE: 64747 DRAWING NUMBER: 2426-0006 SCALE: 1:1.5 CALC. WT. ACT. WT.	
REV. DESCRIPTION DATE DRAWN		REV. A SHEET 2 OF 3	

-	INITIAL RELEASE	02MAY07	GJM
A	UPDATE GEN NOTES & BDM	19JUL11	PPC
REV.	DESCRIPTION	DATE	DRAWN



DECK CUT OUT

- 3. FINISH: 125 RMS MAX.
  - 2. BREAK SHARP EDGES AND DEBURR.
  - 1. MATERIAL: REF. S/A - B.O.M.
- NOTES: UNLESS OTHERWISE SPECIFIED.

CUSTOMER APPROVAL

Signature: \_\_\_\_\_  
 Date: \_\_\_\_\_

IMPORTANT! THIS DRAWING SUPERSEDES ALL OTHER DOCUMENTS. By signing this approval you accept and agree that the dimensions and details shown are correct and properly fit your application, regardless of any differences between this drawing and any contract specifications. Should you see any errors in the drawing, or have any questions, please contact your Freeman Marine sales engineer for clarification.

REV.	DESCRIPTION	DATE	DRAWN
-	INITIAL RELEASE	02MAY07	GJM
A	UPDATE GEN NOTES & B.O.M.	19JUL11	PPC

SPECIFICATIONS SUBJECT TO CHANGE WITHOUT NOTICE.

PROJECTION

UNLESS OTHERWISE SPECIFIED DIMENSIONS ARE IN INCHES. TOLERANCES FOR ROUGH AND CLEAR OPENING ± .125 INCH. ALL OTHERS ARE:  
 .X .XX .XXX ANGLES  
 ±.1 ±.03 ±.010 ±2°

DO NOT SCALE DRAWING

<b>FREEMAN</b> MARINE EQUIPMENT, INC. <small>CONFIDENTIAL PROPERTY OF FREEMAN MARINE EQUIPMENT, INC. REPRODUCTION OR DISTRIBUTION OF ANY PARTS OF THIS DRAWING WITHOUT THE WRITTEN PERMISSION OF FREEMAN MARINE EQUIPMENT, INC. IS STRICTLY PROHIBITED. © ALL RIGHTS RESERVED 2012, FREEMAN MARINE EQUIPMENT, INC.</small>		28336 HUNTER CREEK ROAD GOLD BEACH, OR 97444 U.S.A. PHONE: 541-247-7078 FAX: 541-247-2114 WWW.FREEMANMARINE.COM	
		CLIENT: <b>FREEMAN MARINE</b>	
TITLE: <b>30" X 30" SQUARE "K" STYLE ALUMINUM CAST HATCH, ALUMINUM DECK RING</b>		SIZE: <b>D</b>	CAGE CODE: <b>64747</b>
DRAWN: <b>G MACEACHERN</b> DATE: <b>02MAY07</b> CHECKED: <b>D YDES</b> DATE: <b>19JUL11</b> ENGR: _____ DATE: _____ DESIGN ACTIVITY: _____ DATE: _____ CONTRACT NO: _____		DRAWING NUMBER: <b>2426-0006</b>	REV: <b>A</b>
SCALE: 1:25		CALC. WT.	ACT. WT.
		SHEET 3 OF 3	