

10. FOR SPECIFIC INFORMATION CONTACT SALES.
9. COMPLETE ASSEMBLY WEIGHT W/ DECK RING, 55.7LBS/ 25.2K.
8. DOGGING PRESSURE FULLY ADJUSTABLE.
7. HANDLE POSITION TOPSIDE INDICATES WHETHER DOGGING MECHANISM IS IN OPEN OR CLOSED POSITION.
6. ALUMINUM ALLOY MECHANISM SHOWN.
5. FLUSH, WATERTIGHT CONSTRUCTION.
4. INTEGRAL TOPSIDE "T" HANDLE STANDARD, OTHER TOPSIDE ACTUATION AVAILABLE.
3. MILD STEEL FLANGE, FLANGE CAN WELDED.
2. QUICK-ACTING, MECHANISM ENGAGES OR DISENGAGES IN QUARTER-TURN OF CENTER SPINDLE.
1. 19.1" x 26.1" CLEAR OPENING, ALL DIMENSIONS SHOWN SUBJECT TO CASTING VARIATION AND ARE REFERENCE ONLY.

NOTES: UNLESS OTHERWISE SPECIFIED.

SPECIFICATIONS SUBJECT TO CHANGE WITHOUT NOTICE.				FREEMAN MARINE EQUIPMENT, INC.		28336 HUNTER CREEK ROAD GOLD BEACH, OR 97444 U.S.A. PHONE: 541-247-7078 FAX: 541-247-2114 www.freemanmarine.com	
UNLESS OTHERWISE SPECIFIED DIMENSIONS ARE IN INCHES, TOLERANCES FOR ROUGH AND CLEAR OPENING ± .125 INCH. ALL OTHERS ARE: .X .XX .XXX ANGLES ±.1 ±.03 ±.010 ±2°		CONFIDENTIAL PROPERTY OF FREEMAN MARINE EQUIPMENT INC. UNAUTHORIZED USE, COPYING OR DISTRIBUTION IS STRICTLY PROHIBITED. POSSESSOR OF THIS DOCUMENT AGREES TO THE FOREGOING AND SHALL RETURN THIS DOCUMENT UPON REQUEST. © ALL RIGHTS RESERVED 2004		CLIENT: FREEMAN MARINE EQUIPMENT		TITLE: 19" X 26" OVAL "K" STYLE ALUMINUM CAST HATCH, MILD STEEL DECK RING	
DRAWN: P. CANCELLIERI DATE: 08MAR11 CHECKED: DATE: ENGR: DATE: DESIGN ACTIVITY: DATE:		UNLESS OTHERWISE SPECIFIED DIMENSIONS ARE IN INCHES, TOLERANCES FOR ROUGH AND CLEAR OPENING ± .125 INCH. ALL OTHERS ARE: .X .XX .XXX ANGLES ±.1 ±.03 ±.010 ±2°		SIZE: D CAGE CODE: 64747 DRAWING NUMBER: 2435-0003 REV. A		CONTRACT NO.:	
- INITIAL RELEASE 08MAR11 PPC A UPDATE GEN. NOTES & B.O.M. 17AUG11 PPC		DO NOT SCALE DRAWING		SCALE: 1:3 CALC. WT. ACT. WT.		SHEET 1 OF 3	

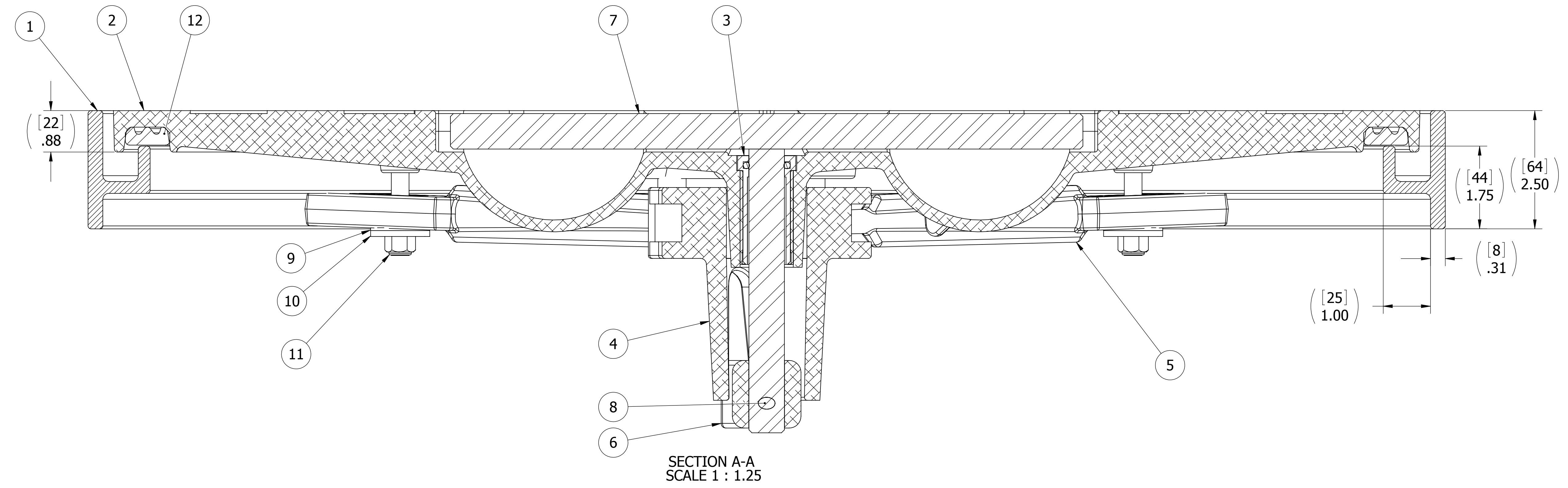
8 7 6 5 4 3 2 1

D

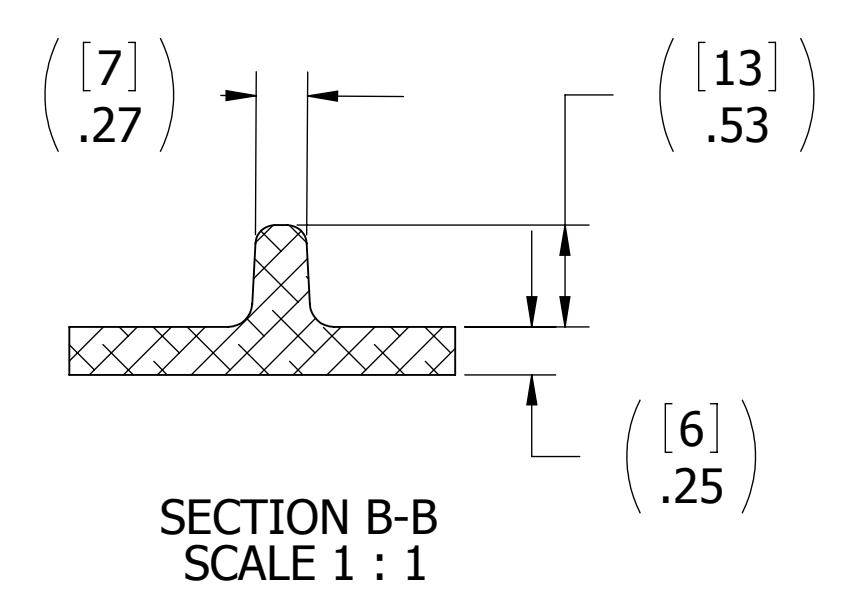
C

B

A



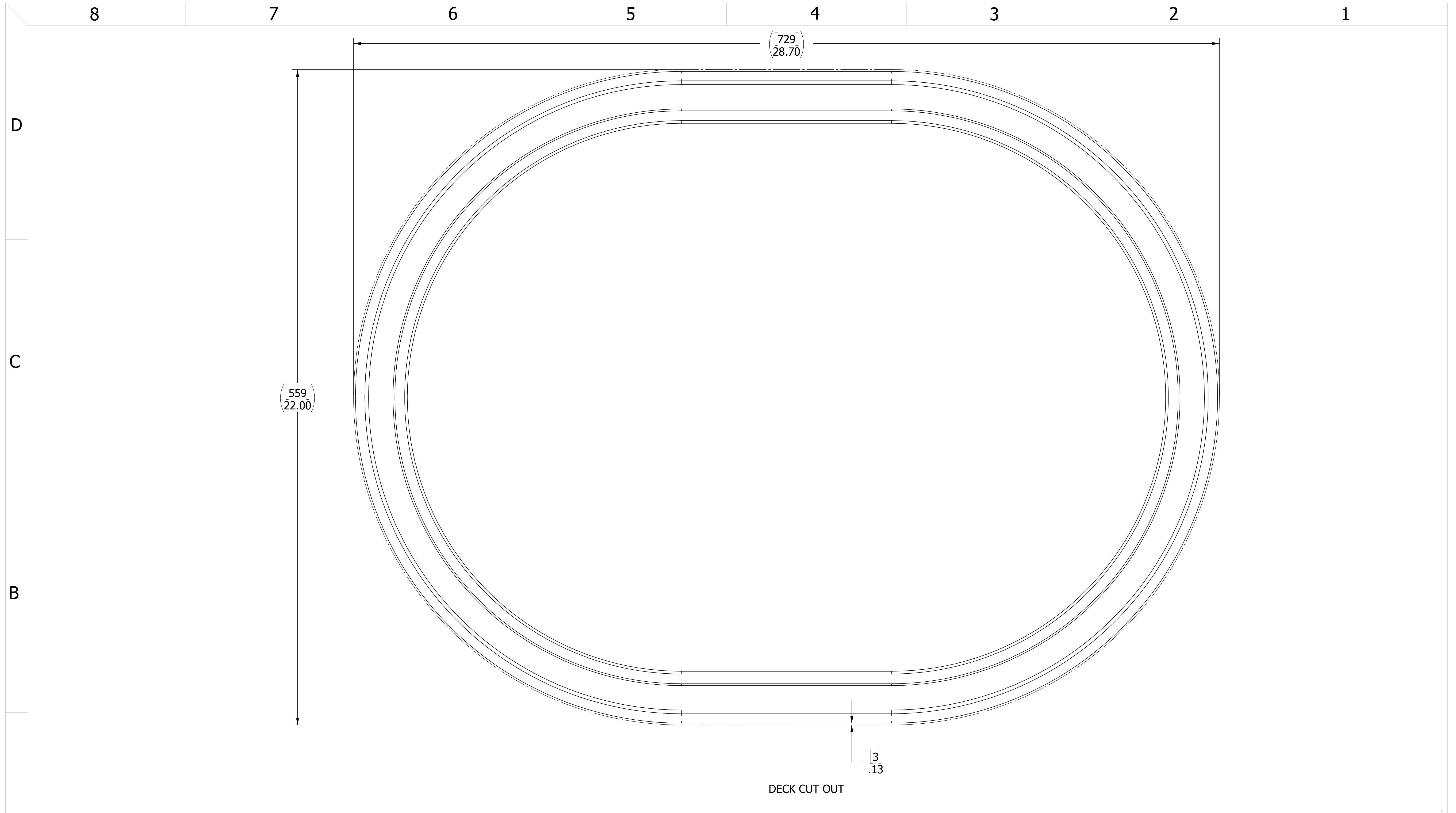
SECTION A-A
SCALE 1 : 1.25



SECTION B-B
SCALE 1 : 1

ITEM NO.	QTY.	PART NUMBER	DESCRIPTION	MATERIAL
12	1	9885-2002	GASKET, 2435 (6.5' OF 0631-9885)	NEOPRENE
11	4	0411-2032	NUT .375IN NYLOCK	316/316L
10	4	0411-2033	WASHER .406 X 1.25 X .125IN SS 316	SS, 316
9	4	0413-2005	WASHER, .406 X 1.250 X .062 NYLON	NYLON
8	1	0411-2004	PIN KNURLED .25 X 2.25IN SS 316	SS, 316
7	1	0021-2005	HANDLE, S/S, ROUND BAR	SS, 316
6	1	0112-2001	ACTUATOR, AL	ALUMINUM, 535
5	4	0211-2007	DOG, LOCKING ARM	ALUMINUM, 535.2-F
4	1	0011-2002	HUB, AL, 4 HOLE	AL, 535.2-F
3	1	0031-2058	BUSHING ASSY, W/O-RING, NO SLEEVE	ACETRON/RUBBER
2	1	2435-3001	COVER: 1926 ALUM, FINISHED CASTING	ALUMINUM, A356.0-F
1	1	2435-1003	RING: 1926K	MILD STEEL

SPECIFICATIONS SUBJECT TO CHANGE WITHOUT NOTICE.		FREEMAN MARINE EQUIPMENT, INC. 28336 HUNTER CREEK ROAD GOLD BEACH, OR 97444 U.S.A. PHONE: 541-247-7078 FAX: 541-247-2114 www.freemanmarine.com	
UNLESS OTHERWISE SPECIFIED DIMENSIONS ARE IN INCHES, TOLERANCES FOR ROUGH AND CLEAR OPENING ± .125 INCH. ALL OTHERS ARE: .X .XX .XXX ANGLES ±.1 ±.03 ±.010 ±2°		CLIENT: FREEMAN MARINE EQUIPMENT TITLE: 19" X 26" OVAL "K" STYLE ALUMINUM CAST HATCH, MILD STEEL DECK RING	
PROJECTION		CONFIDENTIAL PROPERTY OF FREEMAN MARINE EQUIPMENT INC. UNAUTHORIZED USE, COPYING OR DISTRIBUTION IS STRICTLY PROHIBITED. POSSESSOR OF THIS DOCUMENT AGREES TO THE FOREGOING AND SHALL RETURN THIS DOCUMENT UPON REQUEST. © ALL RIGHTS RESERVED 2004	
DO NOT SCALE DRAWING		CONTRACT NO.:	
REV. DESCRIPTION:		SCALE: 1:8 CALC. WT. ACT. WT. SHEET 2 OF 3	
- INITIAL RELEASE 08MAR11 PPC		DRAWN: P. CANCELLIERI DATE: 08MAR11	
A UPDATE GEN. NOTES & B.O.M. 17AUG11 PPC		CHECKED: DATE:	
DATE: DRAWN		ENGR: DATE:	
DATE: DRAWN		DESIGN ACTIVITY: DATE:	
DATE: DRAWN		SIZE CAGE CODE DRAWING NUMBER REV.	
DATE: DRAWN		D 64747 2435-0003 A	



A

- 3. FINISH: 125 RMS MAX.
 - 2. BREAK SHARP EDGES AND DEBURR.
 - 1. MATERIAL: REF. S/A - B.O.M.
- NOTES: UNLESS OTHERWISE SPECIFIED.

CUSTOMER APPROVAL

Signature: _____
 Date: _____

IMPORTANT! THIS DRAWING SUPERSEDES ALL OTHER DOCUMENTS. By signing this approval you accept and agree that the dimensions and details shown are correct and properly fit your application, regardless of any differences between this drawing and any contract specifications. Should you see any errors in the drawing, or have any questions, please contact your Freeman Marine sales engineer for clarification.

REV.	DESCRIPTION	DATE	DRAWN
-	INITIAL RELEASE	08MAR11	PPC
A	UPDATE GEN. NOTES & B.O.M.	17AUG11	PPC

SPECIFICATIONS SUBJECT TO CHANGE WITHOUT NOTICE.

PROJECTION

UNLESS OTHERWISE SPECIFIED DIMENSIONS ARE IN INCHES, TOLERANCES FOR ROUGH AND CLEAR OPENING ± .125 INCH. ALL OTHERS ARE:

.X	.XX	.XXX	ANGLES
±.1	±.03	±.010	±2°

DO NOT SCALE DRAWING

 <small>CONFIDENTIAL PROPERTY OF FREEMAN MARINE EQUIPMENT, INC. UNAUTHORIZED USE, REPRODUCTION OR DISTRIBUTION IS STRICTLY PROHIBITED. ALL CODES REMAIN THE PROPERTY OF FREEMAN MARINE EQUIPMENT, INC. AND MUST BE RETURNED UPON REQUEST. © ALL RIGHTS RESERVED 2012, FREEMAN MARINE EQUIPMENT, INC.</small>		28336 HUNTER CREEK ROAD GOLD BEACH, OR 97444 U.S.A. PHONE: 541-247-7078 FAX: 541-247-2114 www.freemanmarine.com	
		CLIENT: FREEMAN MARINE EQUIPMENT	
DRAWN: P. CANCELLIERI CHECKED: _____ ENGR: _____ DESIGN ACTIVITY: _____ CONTRACT NO.: _____		DATE: 08MAR11 DATE: _____ DATE: _____ DATE: _____	
TITLE: 19" X 26" OVAL "K" STYLE ALUMINUM CAST HATCH, MILD STEEL DECK RING		SIZE: D	CAGE CODE: 64747 DRAWING NUMBER: 2435-0003 SCALE: 1:1.5
		ACT. WT.	REV. A SHEET 3 OF 3