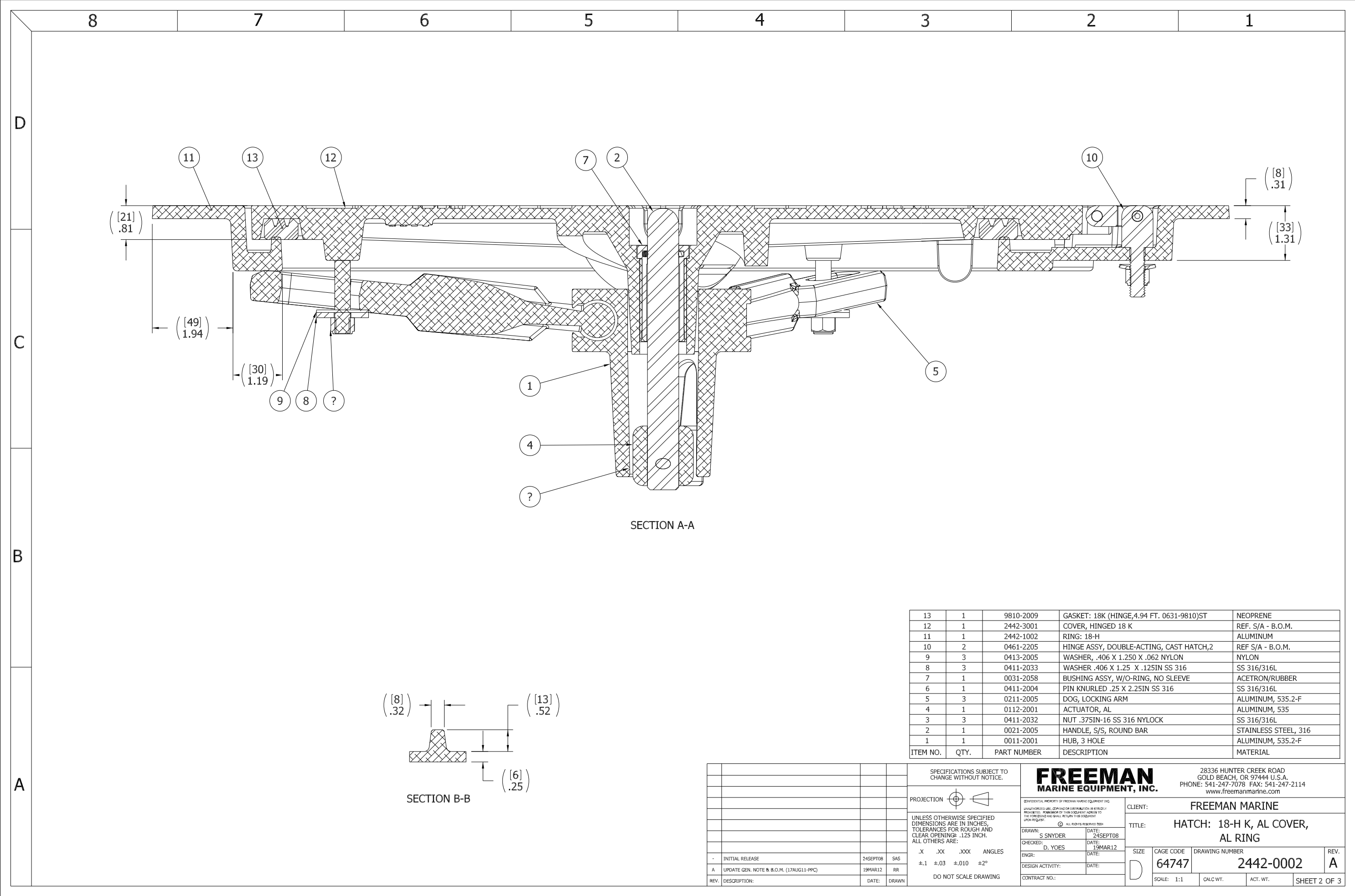


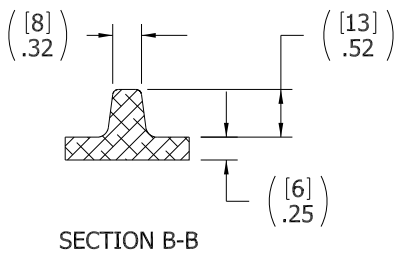
10. FOR SPECIFIC INFORMATION CONTACT SALES.
9. COMPLETE ASSEMBLY WEIGHT W/ DECK RING, 33.9LBS/ 15.4K.
8. DOGGING PRESSURE FULLY ADJUSTABLE.
7. HANDLE POSITION TOPSIDE INDICATES WHETHER DOGGING MECHANISM IS IN OPEN OR CLOSED POSITION.
6. ALUMINUM ALLOY MECHANISM SHOWN.
5. FLUSH, WATERTIGHT CONSTRUCTION.
4. INTEGRAL TOPSIDE "T" HANDLE STANDARD, OTHER TOPSIDE ACTUATION AVAILABLE.
3. CAST ALUMINUM ALLOY FLANGE, FLANGE CAN BE DRILLED FOR BOLTED INSTALLATIONS OR WELDED TO ALUMINUM.
2. QUICK-ACTING, MECHANISM ENGAGES OR DISENGAGES IN QUARTER-TURN OF CENTER SPINDLE.
1. 18.2" DIAMETER CLEAR OPENING, ALL DIMENSIONS SHOWN SUBJECT TO CASTING VARIATION AND ARE REFERENCE ONLY.

NOTES: UNLESS OTHERWISE SPECIFIED.

		SPECIFICATIONS SUBJECT TO CHANGE WITHOUT NOTICE.		<b>FREEMAN MARINE EQUIPMENT, INC.</b> 28336 HUNTER CREEK ROAD GOLD BEACH, OR 97444 U.S.A. PHONE: 541-247-7078 FAX: 541-247-2114 www.freemanmarine.com	
		PROJECTION			
		UNLESS OTHERWISE SPECIFIED DIMENSIONS ARE IN INCHES. TOLERANCES FOR ROUGH AND CLEAR OPENINGS: .125 INCH. ALL OTHERS ARE:		CLIENT: <b>FREEMAN MARINE</b>	
		.X .XX .XXX ANGLES		TITLE: <b>HATCH: 18-H K, AL COVER, AL RING</b>	
		±.1 ±.03 ±.010 ±2°		DRAWN: S SNYDER DATE: 24SEPT08	
		DO NOT SCALE DRAWING		CHECKED: D. YOES DATE: 19MAR12	
- INITIAL RELEASE 24SEPT08 SAS				ENGR: DATE:	
A UPDATE GEN. NOTE & B.O.M. (17AUG11-PPC) 19MAR12 RR				DESIGN ACTIVITY: DATE:	
REV. DESCRIPTION: DATE: DRAWN				CONTRACT NO.:	
				SCALE: 1:2.5	
				CALC. WT. ACT. WT.	
				SHEET 1 OF 3	



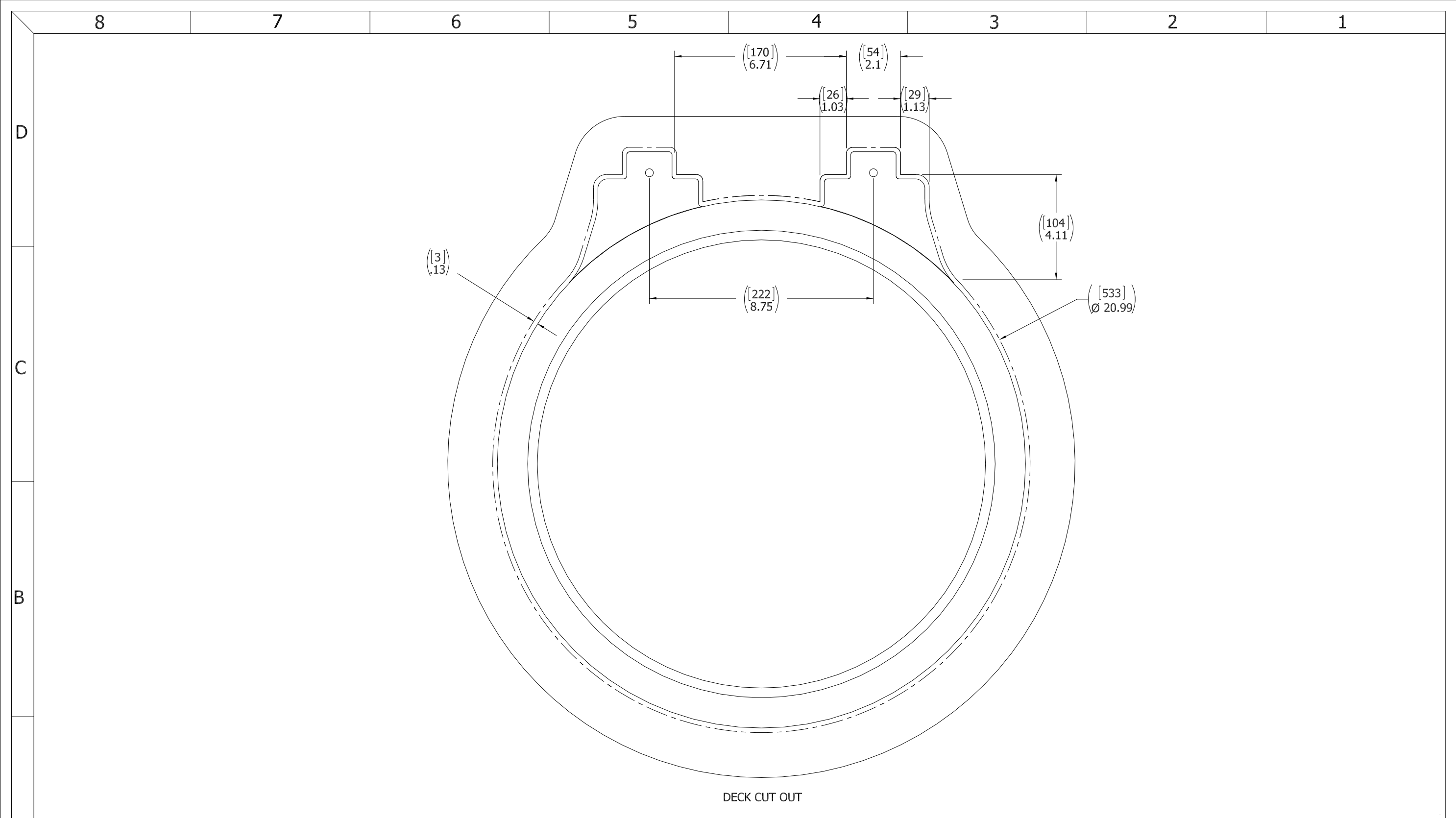
SECTION A-A



SECTION B-B

ITEM NO.	QTY.	PART NUMBER	DESCRIPTION	MATERIAL
13	1	9810-2009	GASKET: 18K (HINGE,4.94 FT. 0631-9810)ST	NEOPRENE
12	1	2442-3001	COVER, HINGED 18 K	REF. S/A - B.O.M.
11	1	2442-1002	RING: 18-H	ALUMINUM
10	2	0461-2205	HINGE ASSY, DOUBLE-ACTING, CAST HATCH,2	REF S/A - B.O.M.
9	3	0413-2005	WASHER, .406 X 1.250 X .062 NYLON	NYLON
8	3	0411-2033	WASHER .406 X 1.25 X .125IN SS 316	SS 316/316L
7	1	0031-2058	BUSHING ASSY, W/O-RING, NO SLEEVE	ACETRON/RUBBER
6	1	0411-2004	PIN KNURLED .25 X 2.25IN SS 316	SS 316/316L
5	3	0211-2005	DOG, LOCKING ARM	ALUMINUM, 535.2-F
4	1	0112-2001	ACTUATOR, AL	ALUMINUM, 535
3	3	0411-2032	NUT .375IN-16 SS 316 NYLOCK	SS 316/316L
2	1	0021-2005	HANDLE, S/S, ROUND BAR	STAINLESS STEEL, 316
1	1	0011-2001	HUB, 3 HOLE	ALUMINUM, 535.2-F

SPECIFICATIONS SUBJECT TO CHANGE WITHOUT NOTICE.		<b>FREEMAN MARINE EQUIPMENT, INC.</b> 28336 HUNTER CREEK ROAD GOLD BEACH, OR 97444 U.S.A. PHONE: 541-247-7078 FAX: 541-247-2114 www.freemanmarine.com	
PROJECTION		CLIENT: <b>FREEMAN MARINE</b>	
UNLESS OTHERWISE SPECIFIED DIMENSIONS ARE IN INCHES. TOLERANCES FOR ROUGH AND CLEAR OPENINGS: .125 INCH. ALL OTHERS ARE: .X .XX .XXX ANGLES ±.1 ±.03 ±.010 ±2°		TITLE: <b>HATCH: 18-H K, AL COVER, AL RING</b>	
DO NOT SCALE DRAWING		CONTRACT NO.:	
DRAWN: S SNYDER DATE: 24SEPT08 CHECKED: D. YOES DATE: 19MAR12 ENGR: DATE: DESIGN ACTIVITY: DATE:		SIZE: <b>D</b> CAGE CODE: <b>64747</b> DRAWING NUMBER: <b>2442-0002</b> REV. <b>A</b>	
INITIAL RELEASE: 24SEPT08 SAS A UPDATE GEN. NOTE & B.O.M. (17AUG11-PPC) 19MAR12 RR		SCALE: 1:1 CALC. WT. ACT. WT. SHEET 2 OF 3	



DECK CUT OUT

- 3. FINISH: 125 RMS MAX.
- 2. BREAK SHARP EDGES AND DEBURR.
- 1. MATERIAL: REF. S/A - B.O.M.

NOTES: UNLESS OTHERWISE SPECIFIED.

CUSTOMER APPROVAL

Signature: \_\_\_\_\_

Date: \_\_\_\_\_

IMPORTANT! THIS DRAWING SUPERSEDES ALL OTHER DOCUMENTS. By signing this approval you accept and agree that the dimensions and details shown are correct and properly fit your application, regardless of any differences between this drawing and any contract specifications. Should you see any errors in the drawing, or have any questions, please contact your Freeman Marine sales engineer for clarification.

REV.	DESCRIPTION	DATE	DRAWN
-	INITIAL RELEASE	24SEPT08	SAS
A	UPDATE GEN. NOTE & B.O.M. (17AUG11-PPC)	19MAR12	RR

SPECIFICATIONS SUBJECT TO CHANGE WITHOUT NOTICE.

PROJECTION

UNLESS OTHERWISE SPECIFIED DIMENSIONS ARE IN INCHES. TOLERANCES FOR ROUGH AND CLEAR OPENINGS: .125 INCH. ALL OTHERS ARE:

.X .XX .XXX ANGLES  
±.1 ±.03 ±.010 ±2°

DO NOT SCALE DRAWING

		28336 HUNTER CREEK ROAD GOLD BEACH, OR 97444 U.S.A. PHONE: 541-247-7078 FAX: 541-247-2114 www.freemanmarine.com	
		CLIENT: <b>FREEMAN MARINE</b>	
CONFIDENTIAL PROPERTY OF FREEMAN MARINE EQUIPMENT, INC. UNLESS OTHERWISE SPECIFIED. ALL RIGHTS RESERVED 2012. FREEMAN MARINE EQUIPMENT, INC.		TITLE: <b>HATCH: 18-H K, AL COVER, AL RING</b>	
DRAWN: S SNYDER CHECKED: D. YOES ENGR: DESIGN ACTIVITY:	DATE: 24SEPT08 DATE: 19MAR12 DATE:	SIZE: <b>D</b> CAGE CODE: <b>64747</b> SCALE: 1:1.75	DRAWING NUMBER: <b>2442-0002</b> ACT. WT. SHEET 3 OF 3