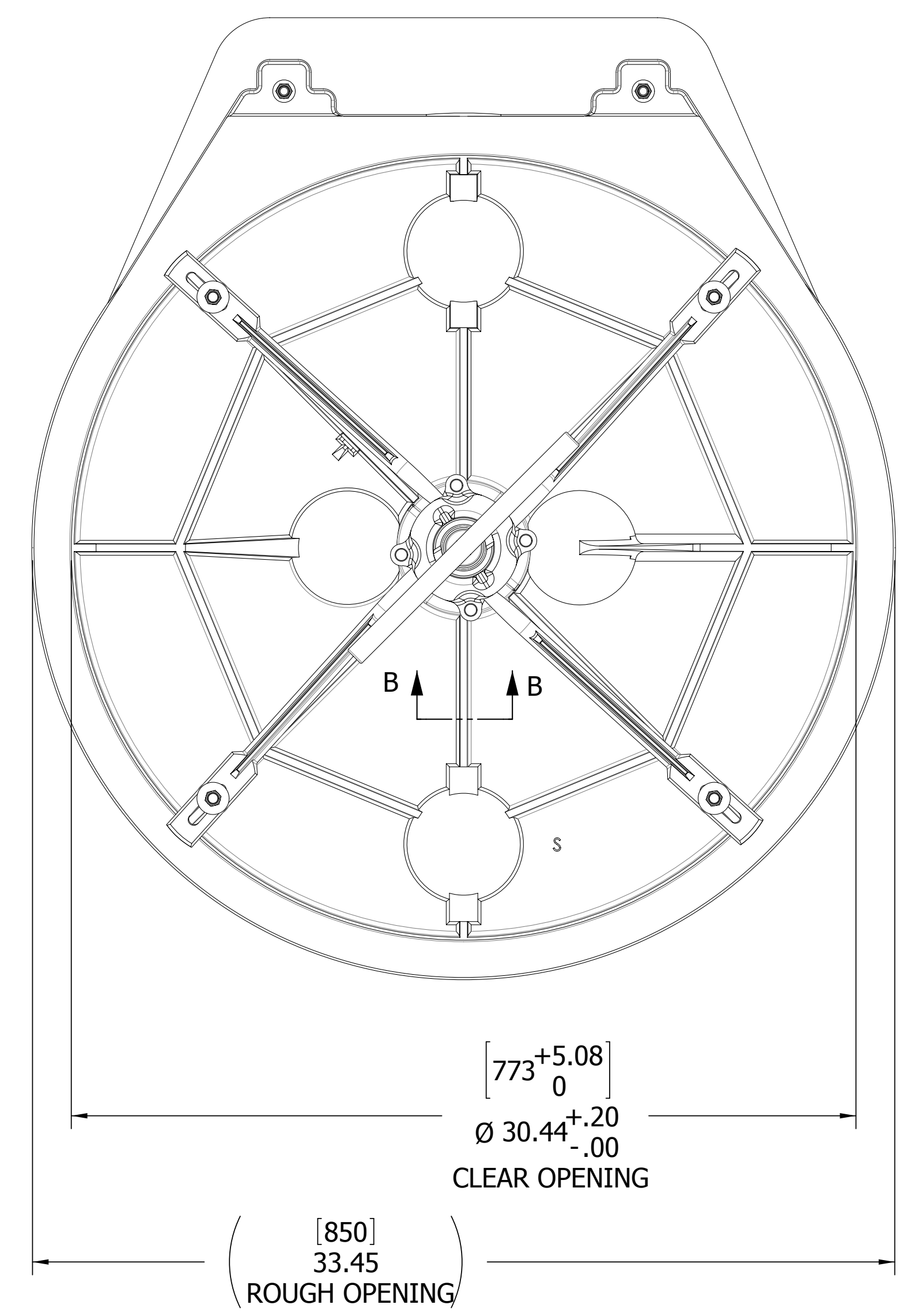
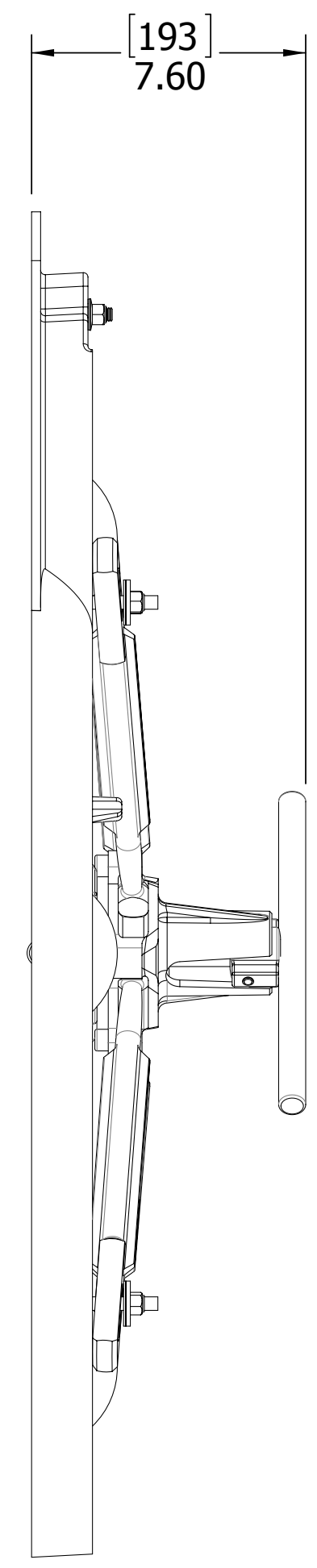
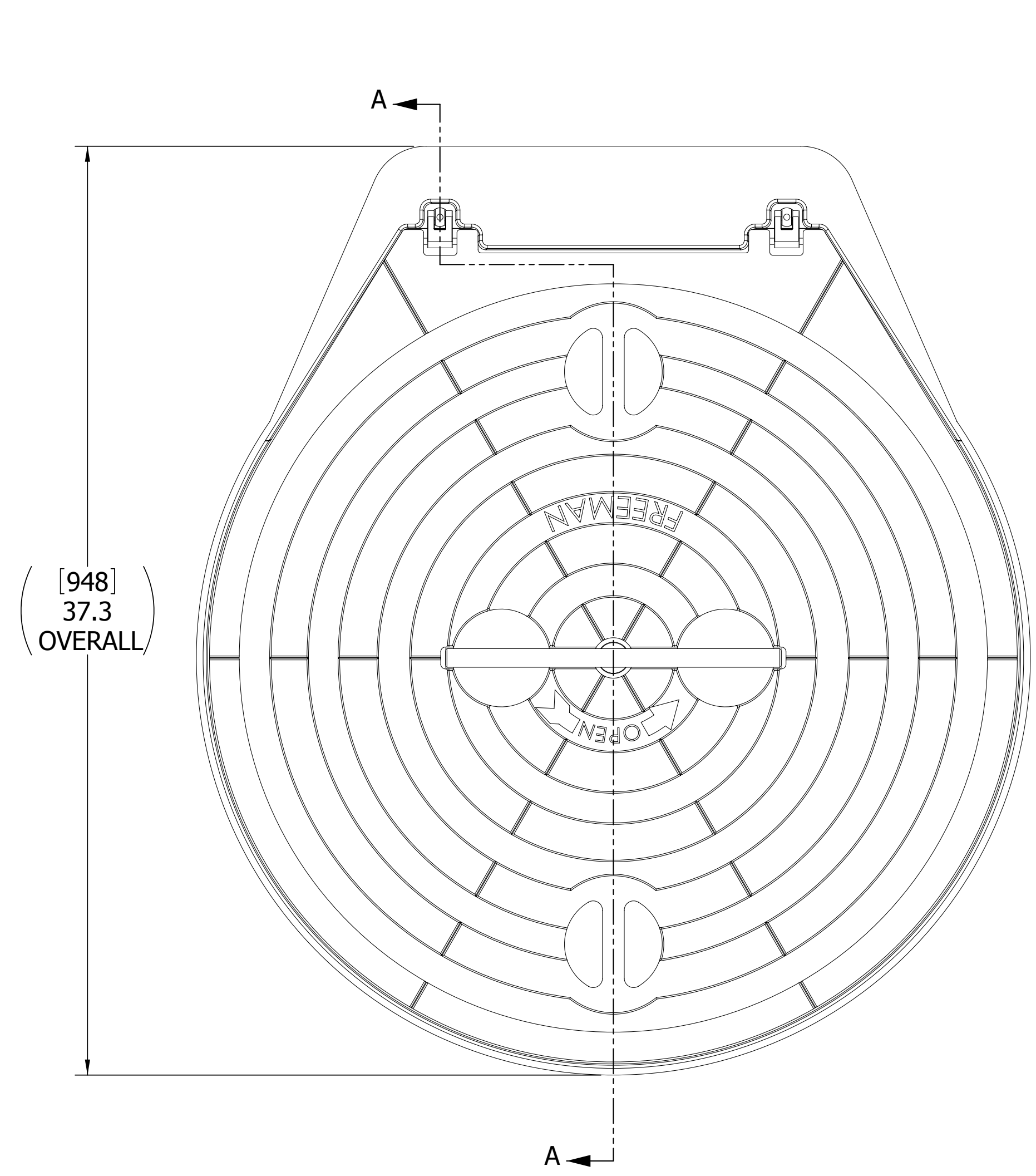


8 7 6 5 4 3 2 1

D  
C  
B  
A



- 10. FOR SPECIFIC INFORMATION CONTACT SALES.
- 9. COMPLETE ASSEMBLY WEIGHT W/ DECK RING, 95.1LBS/ 43.1K.
- 8. DOGGING PRESSURE FULLY ADJUSTABLE.
- 7. HANDLE POSITION TOPSIDE INDICATES WHETHER DOGGING MECHANISM IS IN OPEN OR CLOSED POSITION.
- 6. STAINLESS STEEL MECHANISM SHOWN.
- 5. FLUSH, WATERTIGHT CONSTRUCTION.
- 4. INTEGRAL TOPSIDE "T" HANDLE STANDARD, OTHER TOPSIDE ACTUATION AVAILABLE.
- 3. MILD STEEL RING CAN BE WELDED.
- 2. QUICK-ACTING, MECHANISM ENGAGES OR DISENGAGES IN QUARTER-TURN OF CENTER SPINDLE.
- 1. 30.4" CLEAR OPENING, ALL DIMENSIONS SHOWN SUBJECT TO CASTING VARIATION AND ARE REFERENCE ONLY.

NOTES: UNLESS OTHERWISE SPECIFIED.

CUSTOMER APPROVAL  
Signature: \_\_\_\_\_  
Date: \_\_\_\_\_

IMPORTANT! THIS DRAWING SUPERSEDES ALL OTHER DOCUMENTS. By signing this approval you accept and agree that the dimensions and details shown are correct and properly fit your application, regardless of any differences between this drawing and any contract specifications. Should you see any errors in the drawing, or have any questions, please contact your Freeman Marine sales engineer for clarification.

REV.	DESCRIPTION:	DATE:	DRAWN
-	INITIAL RELEASE	22JUL10	RR
A	UPDATE GEN. NOTES & B.O.M.	24AUG11	PPC

SPECIFICATIONS SUBJECT TO CHANGE WITHOUT NOTICE.

PROJECTION

UNLESS OTHERWISE SPECIFIED DIMENSIONS ARE IN INCHES. TOLERANCES FOR ROUGH AND CLEAR OPENING: .125 INCH. ALL OTHERS ARE:  
.X .XX .XXX ANGLES  
±.1 ±.03 ±.010 ±2°

DO NOT SCALE DRAWING

**FREEMAN MARINE EQUIPMENT, INC.**  
28336 HUNTER CREEK ROAD  
GOLD BEACH, OR 97444 U.S.A.  
PHONE: 541-247-7078 FAX: 541-247-2114  
www.freemanmarine.com

CLIENT: FREEMAN MARINE EQUIPMENT

TITLE: HATCH: 30-H, AL COVER, M/S RING, EH, S/S MECHANISM, W/INTEGRAL T-HANDLE

SIZE: D CAGE CODE: 64747 DRAWING NUMBER: 2452-0007 REV. A

SCALE: 1:4 CALC. WT. ACT. WT. SHEET 1 OF 3