

10. FOR SPECIFIC INFORMATION CONTACT SALES.
9. COMPLETE ASSEMBLY WEIGHT W/ DECK RING, 39.3LBS/ 17.8K.
8. DOGGING PRESSURE FULLY ADJUSTABLE.
7. HANDLE POSITION TOPSIDE INDICATES WHETHER DOGGING MECHANISM IS IN OPEN OR CLOSED POSITION.
6. ALUMINUM ALLOY MECHANISM SHOWN.
5. FLUSH, WATERTIGHT CONSTRUCTION.
4. INTEGRAL TOPSIDE "T" HANDLE STANDARD, OTHER TOPSIDE ACTUATION AVAILABLE.
3. CAST ALUMINUM ALLOY FLANGE, FLANGE CAN BE DRILLED FOR BOLTED INSTALLATIONS OR WELDED TO ALUMINUM.
2. QUICK-ACTING, MECHANISM ENGAGES OR DISENGAGES IN QUARTER-TURN OF CENTER SPINDLE.
1. 15.0" x 24.0" CLEAR OPENING. ALL DIMENSIONS SHOWN SUBJECT TO CASTING VARIATION AND ARE REFERENCE ONLY.

NOTES: UNLESS OTHERWISE SPECIFIED.

CUSTOMER APPROVAL

Signature: _____

Date: _____

IMPORTANT! THIS DRAWING SUPERSEDES ALL OTHER DOCUMENTS. By signing this approval you accept and agree that the dimensions and details shown are correct and properly fit your application, regardless of any differences between this drawing and any contract specifications. Should you see any errors in the drawing, or have any questions, please contact your Freeman Marine sales engineer for clarification.

REV.	DESCRIPTION	DATE	DRAWN
A	PRODUCTION RELEASE	20MAY13	ZIC

SPECIFICATIONS SUBJECT TO CHANGE WITHOUT NOTICE.

PROJECTION

UNLESS OTHERWISE SPECIFIED DIMENSIONS ARE IN INCHES. TOLERANCES FOR ROUGH AND CLEAR OPENINGS: .125 INCH. ALL OTHERS ARE:

.X .XX .XXX ANGLES
±.1 ±.03 ±.010 ±2°

DO NOT SCALE DRAWING

FREEMAN MARINE EQUIPMENT, INC.

28336 HUNTER CREEK ROAD
GOLD BEACH, OR 97444 U.S.A.
PHONE: 541-247-7078 FAX: 541-247-2114
www.freemanmarine.com

CLIENT: **FREEMAN MARINE**

TITLE: **HATCH: 1524-HK, AL COVER, AL RING**

SCALE: 1:3

CAGE CODE: **64747**

DRAWING NUMBER: **2474-0002**

REV. **A**

SHEET 1 OF 3

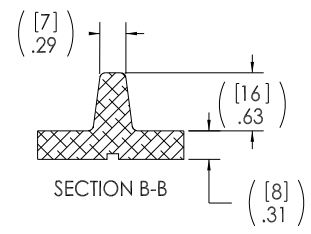
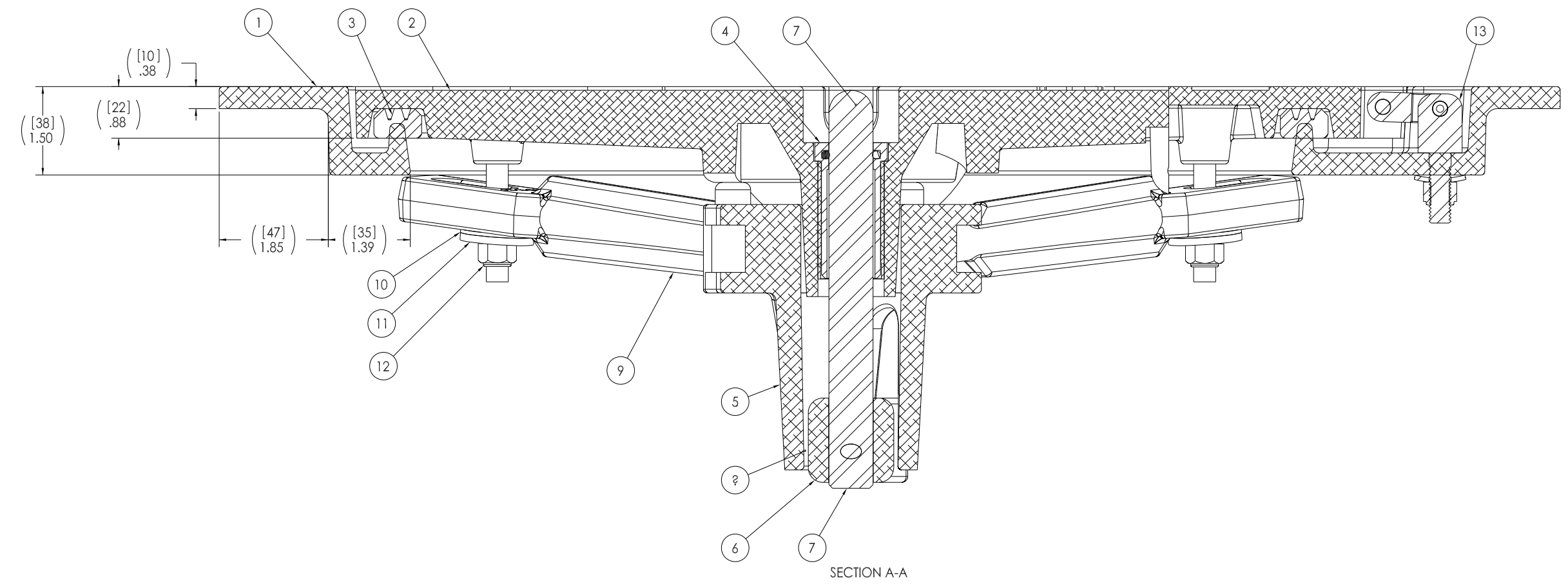
8 7 6 5 4 3 2 1

D

C

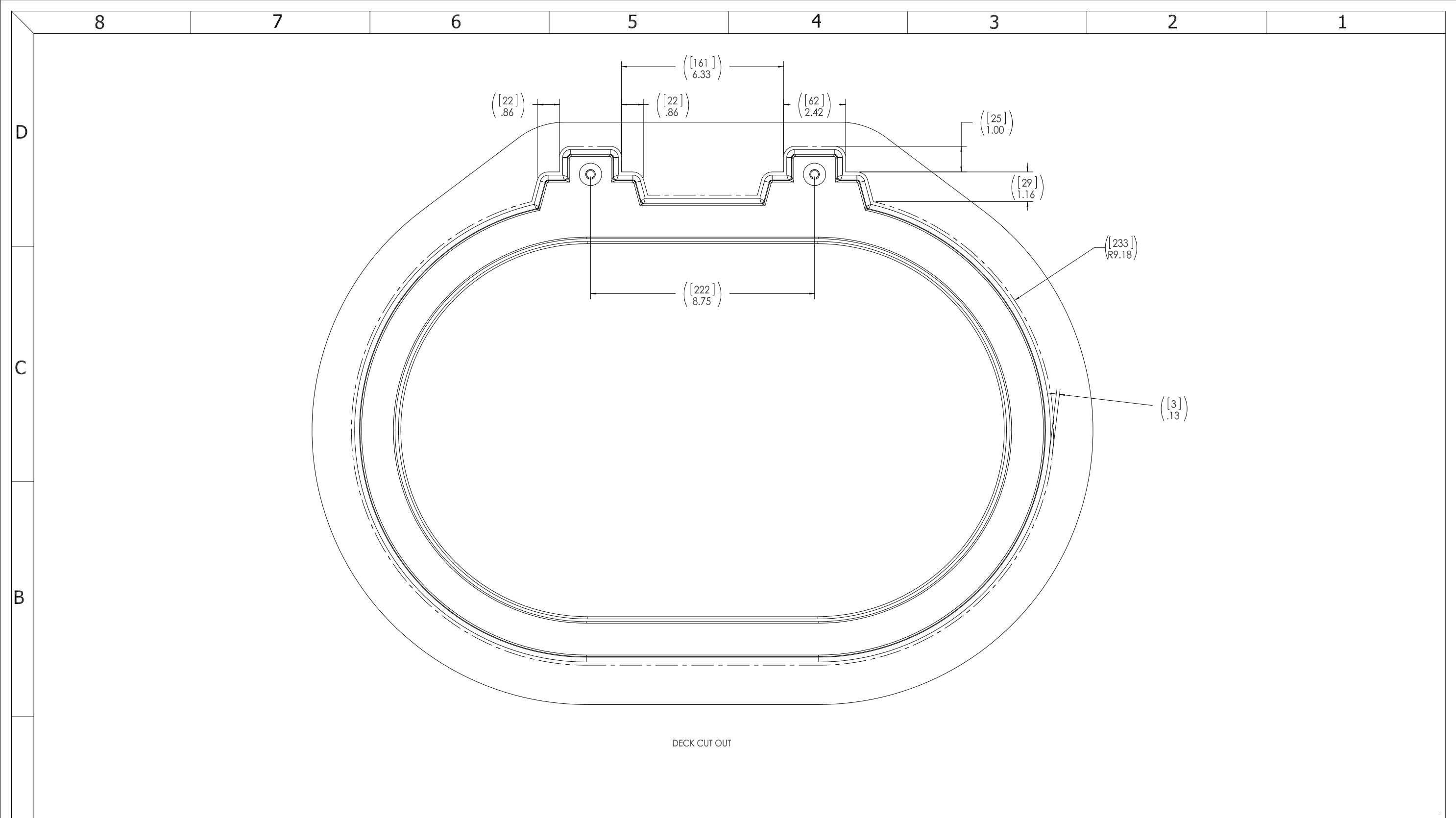
B

A



ITEM NO.	QTY.	PART NUMBER	DESCRIPTION	MATERIAL
13	2	0461-2205	HINGE ASSY, DOUBLE-ACTING, CAST HATCH,2	REF S/A - B.O.M.
12	4	0411-2032	NUT .375IN-16 SS 316 NYLOCK	SS 316/316L
11	4	0411-2033	WASHER .406 X 1.25 X .125IN SS 316	SS 316/316L
10	4	0413-2005	WASHER, .406 X 1.250 X .062 NYLON	NYLON
9	4	0211-2004	DOG, LOCKING ARM 1524, AL	ALUMINUM, 535.2-F
8	1	0411-2004	PIN KNURLED .25 X 2.25IN SS 316	SS 316/316L
7	1	0021-2005	HANDLE, S/S, ROUND BAR	STAINLESS STEEL, 316
6	1	0112-2001	ACTUATOR, AL	ALUMINUM, 535
5	1	0011-2002	HUB, AL, 4 HOLE	ALUMINUM, 535.2-F
4	1	0031-2058	BUSHING ASSY, W/O-RING, NO SLEEVE	ACETRON/RUBBER
3	1	9835-2008	GASKET, 1524K (5.58" OF 0631-9835)	NEOPRENE, 25 DURO
2	1	2474-3001	COVER: 1524-HK ALUM	ALUMINUM, 356
1	1	2474-1002	RING: 1524-HK	ALUMINUM, 356

SPECIFICATIONS SUBJECT TO CHANGE WITHOUT NOTICE.		FREEMAN MARINE EQUIPMENT, INC. 28336 HUNTER CREEK ROAD GOLD BEACH, OR 97444 U.S.A. PHONE: 541-247-7078 FAX: 541-247-2114 www.freemanmarine.com	
PROJECTION		CLIENT: FREEMAN MARINE	
UNLESS OTHERWISE SPECIFIED DIMENSIONS ARE IN INCHES. TOLERANCES FOR ROUGH AND CLEAR OPENINGS: .125 INCH. ALL OTHERS ARE: .X .XX .XXX ANGLES ±.1 ±.03 ±.010 ±2°		TITLE: HATCH: 1524-HK, AL COVER, AL RING	
DO NOT SCALE DRAWING		CONTRACT NO.:	
A PRODUCTION RELEASE REV. DESCRIPTION:	DATE: 20MAY13 DRAWN: ZIC	DRAWN: Z. CARPENTER CHECKED: D. YOES ENGR:	DATE: 20MAY13 DATE: 20MAY13 DATE:
		SIZE: D	CAGE CODE: 64747 DRAWING NUMBER: 2474-0002
		SCALE: 1:1	ACT. WT. SHEET 2 OF 3



DECK CUT OUT

- 3. FINISH: 125 RMS MAX.
- 2. BREAK SHARP EDGES AND DEBURR.
- 1. MATERIAL: ALUMINUM

NOTES: UNLESS OTHERWISE SPECIFIED.

CUSTOMER APPROVAL

Signature: _____
 Date: _____

IMPORTANT! THIS DRAWING SUPERSEDES ALL OTHER DOCUMENTS. By signing this approval you accept and agree that the dimensions and details shown are correct and properly fit your application, regardless of any differences between this drawing and any contract specifications. Should you see any errors in the drawing, or have any questions, please contact your Freeman Marine sales engineer for clarification.

REV.	DESCRIPTION	DATE	DRAWN
A	PRODUCTION RELEASE	20MAY13	ZIC

SPECIFICATIONS SUBJECT TO CHANGE WITHOUT NOTICE.

PROJECTION

UNLESS OTHERWISE SPECIFIED DIMENSIONS ARE IN INCHES. TOLERANCES FOR ROUGH AND CLEAR OPENINGS: .125 INCH. ALL OTHERS ARE:

.X	.XX	.XXX	ANGLES
±.1	±.03	±.010	±2°

DO NOT SCALE DRAWING

FREEMAN MARINE EQUIPMENT, INC. <small>CONFIDENTIAL PROPERTY OF FREEMAN MARINE EQUIPMENT, INC. UNLESS OTHERWISE SPECIFIED. ALL RIGHTS RESERVED. THIS DRAWING IS THE PROPERTY OF FREEMAN MARINE EQUIPMENT, INC. AND SHALL BE RETURNED UPON REQUEST.</small> <small>© ALL RIGHTS RESERVED 2012, FREEMAN MARINE EQUIPMENT, INC.</small>		28336 HUNTER CREEK ROAD GOLD BEACH, OR 97444 U.S.A. PHONE: 541-247-7078 FAX: 541-247-2114 www.freemanmarine.com	
		CLIENT: FREEMAN MARINE	
DRAWN: Z. CARPENTER DATE: 20MAY13 CHECKED: D. YOES DATE: 20MAY13 ENGR: DATE:		TITLE: HATCH: 1524-HK, AL COVER, AL RING	
CONTRACT NO.:		SIZE: D	CAGE CODE: 64747 DRAWING NUMBER: 2474-0002
SCALE: 1:1.75		CALC. WT.	ACT. WT.
		REV. A	SHEET 3 OF 3