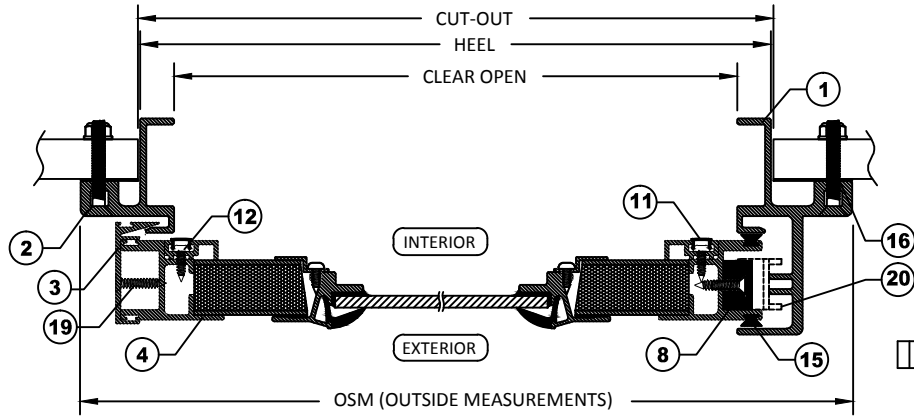


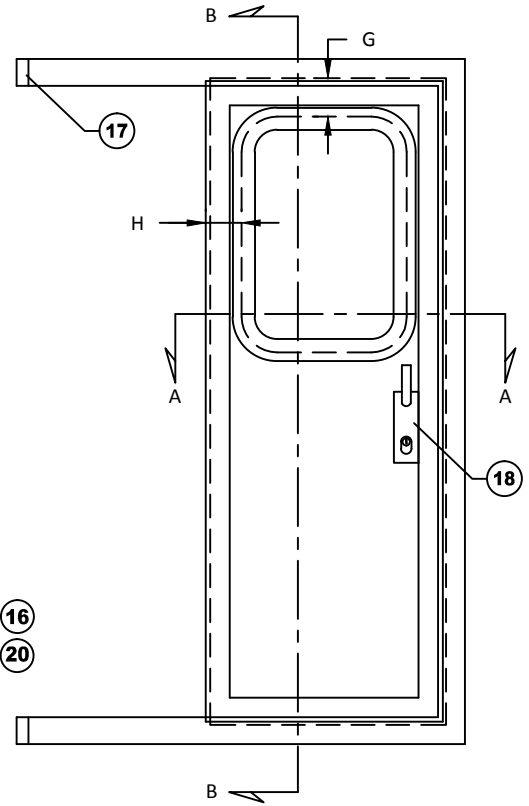
SECTION B-B

ITEMS			
ID	DESCRIPTION	MATERIAL	PART NUMBER
1	MOUNTING FRAME	6063 ALUMINUM	D11408
2	FRAME INTERLOCK	6063 ALUMINUM	D11409
3	INSERT INTERLOCK	6063 ALUMINUM	D11444
4	INSERT	6063 ALUMINUM	D11448
5	STOP	6063 ALUMINUM	D11416
6	SKIN	6063 ALUMINUM	D11354
7	INSULATION	KOROLITE 1"	D11480
8	BOTTOM SLIDE BLOCK	BLACK PVC	D11132
9	TOP SLIDE BLOCK	BLACK PVC	D11131
10	GLIDER BLOCK SCREW	S.S.	
11	STOP SCREW COVER	BLACK PVC	D10880
12	STOP SCREW	SS	D12239
13	DOOR WINDOW		
14	300 TRACK	BLACK PVC	D12223
15	WEATHER STRIPPING	HAIR	D10909
16	BEDDING COMPOUND	CUSTOMER SUPPLY	
17	STOP BLOCK	BLACK PVC	HWD10307
18	TRIOVING LOCKSET		D11240
19	INSERT INTERLOCK SCREW	SS	FAFH/S3014
20	LOCK KEEPER	SS	D11090

STANDARD DIMENSIONS		
ID	DESCRIPTION	DIMENSION
A	FLANGE COVERAGE	41mm (1 5/8")
B	EXTERIOR PROTRUSION	77mm (3 1/16")
C	INTERIOR PROTRUSION	31mm (1 1/4")
D	SPIGOT TO CLEAR VIEW	17mm (11/16")
E	FLANGE THICKNESS	18mm (11/16")
F	INSERT THICKNESS	27mm (1 1/16")
G	WINDOW TO DOOR CUT OUT	83mm (3 1/4")
H	WINDOW TO EXTERIOR OF INSERT	78mm (3")



SECTION A-A



NOTES:  
 -GENERAL HEEL TOLERANCE +0/-1/4" OVERALL  
 -AVAILABLE WITH MITERED CORNERS ONLY  
 -STANDARD MOUNTING HOLES ARE 3/16" WITH #10 COUNTERSUNK ON 8" NOMINAL CENTERS

DRAWING NUMBER		300X	DIAMOND SEA GLAZE MANUFACTURING LTD. 26995 GLOUCESTER WAY, LANGLEY B.C. CANADA V4W 3Y3 TOLL FREE: 1-800-770-0455 PHONE: 604-607-0091 FAX: 604-607-0092
SCALE	BY	NTS	



ITEM NAME	300X	REVISION	4
ITEM DESCRIPTION	SLIDING OPENING DOOR		

ALL DRAWINGS AND ANY ASSOCIATED INFORMATION HEREON CONTAIN PROPRIETARY AND/OR CONFIDENTIAL INFORMATION, AND SHALL NOT BE REPRODUCED, DISCLOSED OR SUBMITTED TO ANY THIRD PARTY WITHOUT PRIOR CONSENT FROM DIAMOND SEA GLAZE MANUFACTURING LTD.