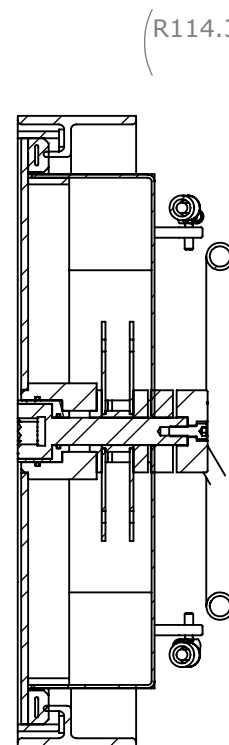
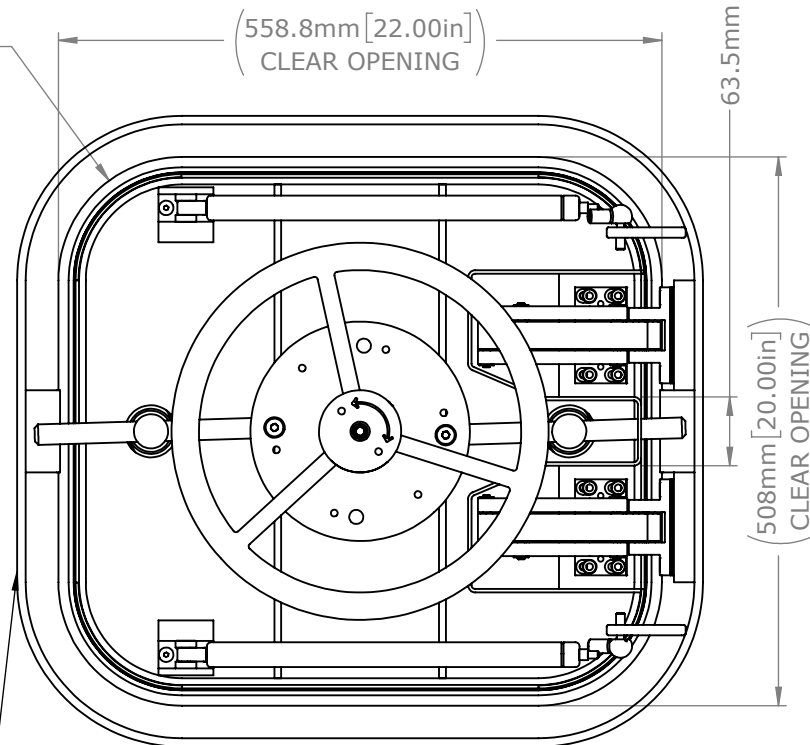


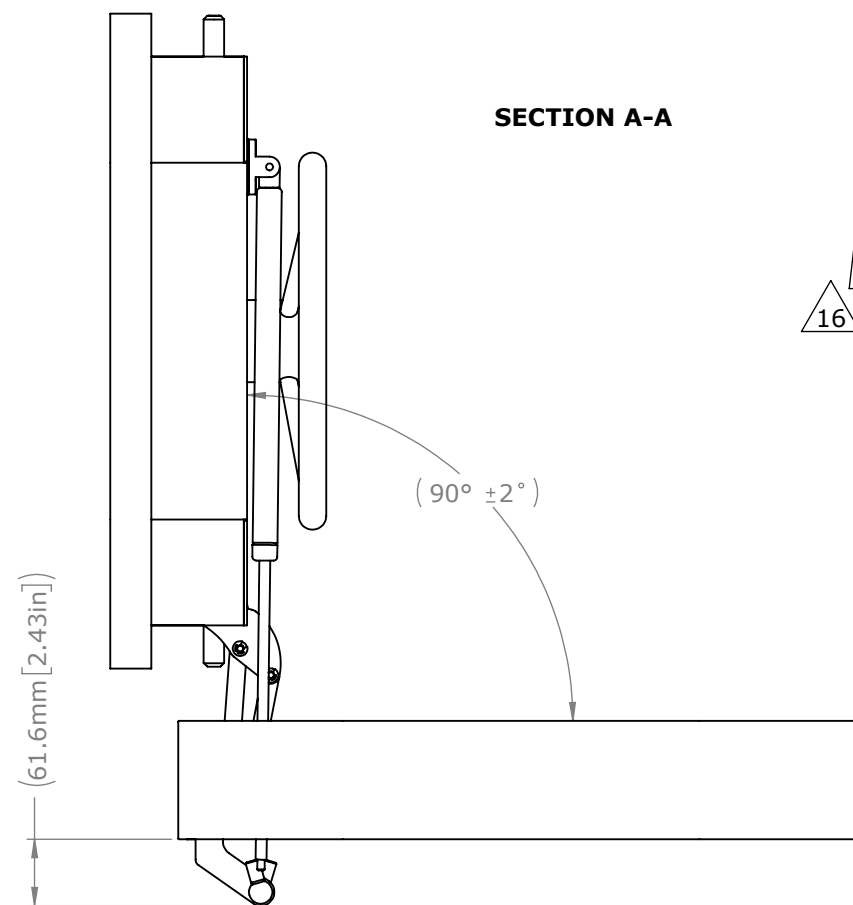
EXTERIOR VIEW



SECTION A-A



**INTERIOR VIEW
INT. COVER PAN HIDDEN**



OPEN

16 0.88IN FROM TOP EDGE
DRILL AND TAP COAMING (M8)
FOR CUSTOMER INSTALLED
HAMLIN-LITTELFUSE/59060-1-S-02-A
COUNTER BORE ϕ .5 X .125
TO RECIEVE CM-1-MAGNET

REVISIONS

REV.	DESCRIPTION	BY	DATE
00	CUSTOMER REVIEW	GG	27MAR17
01	CO SIZE 22" x 22" IS CHANGED TO 22" x 20"	DK	03APR17
02	RO SIZE CHANG & BUILT TO RO	DK	12APR17
13	PRODUCTION RELEASE	GG	24APR17
14	COAMING CHANGED TO AN EXTRUSION	AD	7/11/17
15	HINGE POCKETS SPACED TO PROVIDE CLEARANCE FOR DOGGING ACTION	DD	8/10/17
16	ADDED SENSOR NOTE	JF	10/25/17

GENERAL NOTES

1. BUILD TO ROUGH OPENING
2. WELD IN INSTALLATION.
3. WATER TIGHT CONSTRUCTION.
4. FINISH: YACHT QUALITY
PANEL: TOPCOAT BRISTOL
SHAPE - ALWGRIP, SNOW WHITE
COAMING: BARE METAL - DA SANDED
5. FOR ADDITIONAL INFORMATION CONTACT YOUR SALES REPRESENTATIVE.

CUSTOMER APPROVAL

IMPORTANT! THIS DRAWING SUPERSEDES ALL OTHER DOCUMENTS. BY SIGNING THIS APPROVAL YOU ACCEPT AND AGREE THAT THE DIMENSIONS AND DETAILS SHOWN ARE CORRECT AND PROPERLY FIT YOUR APPLICATION, REGARDLESS OF ANY DIFFERENCES BETWEEN THIS DRAWING AND ANY PRIOR CONTRACT SPECIFICATIONS. SHOULD YOU HAVE ANY QUESTIONS OR SEE ANY ERRORS, DO NOT SIGN THIS APPROVAL UNTIL THE DRAWING IS CORRECTED.

SIGN _____ DATE _____

UNLESS OTHERWISE SPECIFIED, DIMENSIONS ARE IN MILLIMETERS. TOLERANCES FOR ROUGH AND CLEAR OPENINGS ARE $\pm 3\text{mm}$ (.125"). ALL OTHERS ARE:

	X	.X	.XX	ANGLES
METRIC	± 2.5	$\pm .8$	$\pm .25$	$\pm 2^\circ$
IMPERIAL	$\pm .1$	$\pm .03$	$\pm .010$	$\pm 2^\circ$

BAR CODE _____ CAGE CODE 1JX04



PACIFIC COAST MARINE
An Advantec Company

COPYRIGHT 20142015 ADVANTEC GLOBAL INNOVATIONS. ALL RIGHTS RESERVED. CONFIDENTIAL PROPERTY OF ADVANTEC GLOBAL INNOVATIONS. UNAUTHORIZED USE, REPRODUCTION OR DISTRIBUTION IS STRICTLY PROHIBITED. COPIES REMAIN THE PROPERTY OF ADVANTEC GLOBAL INNOVATIONS AND MUST BE RETURNED UPON REQUEST.

CLIENT **ANODYNE LIMITED**

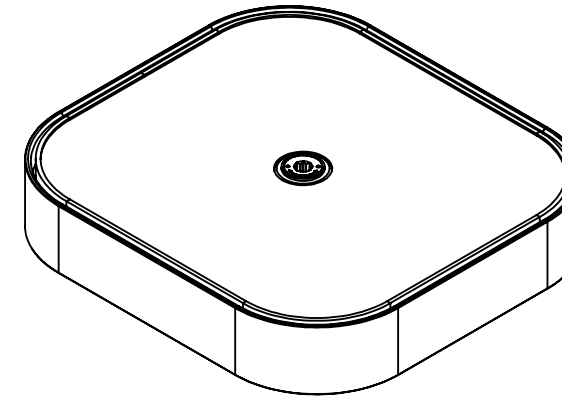
PROJECT TITLE **FWD TECH ESCAPE HATCH**

DWG TITLE **MODEL 3240 WATERTIGHT HATCH** QTY _____

SCALE 1:7 DRAWN GG DATE 3/28/2017 CHECKED CR DATE 29/03/17 SIZE B

S.O. NO 50486 DWG NO P0006022-031 SHEET 1 of 2 REV 16

ITEM	QTY.	PART NUMBER	DESCRIPTION	MATERIAL
1	2	0234-1009	ROD DOG PIVOT ASSSY	VARIES
2	2	0411-2272	SCREW, FHS, .313-18X1 SS EP	SS 316/316L
3	4	0411-2592	SCREW FH A .250-20x1.0in	316/316L
4	2	0411-3208	SCREW, FH P .25-20X1.5IN SS 316	SS 316/316L
5	2	0423-2206	MNT, PANEL BRACKET GAS SPRING8 & 10MM	316/316L
6	2	0423-2212	BALL JOINT, M8 x 30MM	SS 316
7	2	0423-2234	GAS SPRING, 10/23-300	REF SA BOM
8	2	0423-2267	EYE, GAS SPRING, M8 X 1.06, POLISHED	SS 304/304L ANLD
9	2	0433-2221	DOG ACE BLOCK, BASE BLK	ACETAL BK
10	2	0461-2259	ARTICULATING HINGE	REF S.A. BOM
11	2	0722-2047	ISOLATOR, ACETRON, MNT, PANEL, BRACKET	ACETRON GP
12	1	0911-2041	INSULATION	FIREMASTER MARINE PLUS 2" THK (0911-2041)
13	1	P0006022-031-003	HANDWHEEL ASSY, SS INT/EXT, ALP, ROD DOG	REF SA BOM (0242-2087 MOD.)
14	1	P0006022-031-101	COAMING	EXTRUSION, SS 304 (0613-9737)
15	2	P0006022-031-102	HINGE BACKER	PLATE, SS 316L .75IN (0713-2007)
16	8	P0006022-031-106	DEPTH STOP	BAR, SS 316 .188X.5IN RECT (0613-9632)
17	2	P0006022-031-108	BRKT,MNT,CMG,GAS SPRING,S/S,(8MM),35 DEG	PLATE, SS 304L .375IN (0713-2019)
18	1	P0006022-031-201	EXTERIOR PANEL	PLATE, SS 304L .25IN (0713-2023)
19	1	P0006022-031-202	GASKET RETAINER	BAR, SS 304 .25X1.5IN(0613-9732)
20	2	P0006022-031-203	INTERIOR STIFFENER	BAR, SS 304 .25X1.5IN(0613-9732)
21	1	P0006022-031-204	GASKET	NEOPRENE WTD (0631-9933)
22	1	P0006022-031-205	INTERIOR SKIN	PLATE, SS 304L 12GA (0713-2027)
23	2	P0006022-031-207	ROD DOG	SS 316/316L
24	2	P0006022-031-208	HINGE MOUNTING PAD	PLATE, SS 304L .25IN (0713-2023)
25	2	P0006022-031-210	INTERIOR WELD IN CORNER	PLATE, SS 304L 12GA (0713-2027)
26	1	P0006022-031-214	ARTICULATING HINGE BOX	PLATE, SS 304L 12GA (0713-2027)
27	2	P0006022-031-215	GAS SHOCK, TAPPING BLOCK	BAR, SS 316L HRAP 2X2IN SQ (0613-9708)
28	1	P0006022-031-216	PANEL EDGE	BAR, SS 304 .25X1.5IN(0613-9732)
29	1	P0006022-031-218	INTUMESCENT TAPE	TAPE, 3M INTUMESCENT STRIP .06" X .5" (0331-2073)
30	2	P0006022-031-219	INTERIOR WELD IN CORNER, HINGE SIDE	PLATE, SS 304L 12GA (0713-2027)



REVISIONS

SEE SHEET 1

GENERAL NOTES

SEE SHEET 1

CUSTOMER APPROVAL

IMPORTANT! THIS DRAWING SUPERSEDES ALL OTHER DOCUMENTS. BY SIGNING THIS APPROVAL YOU ACCEPT AND AGREE THAT THE DIMENSIONS AND DETAILS SHOWN ARE CORRECT AND PROPERLY FIT YOUR APPLICATION, REGARDLESS OF ANY DIFFERENCES BETWEEN THIS DRAWING AND ANY PRIOR CONTRACT SPECIFICATIONS. SHOULD YOU HAVE ANY QUESTIONS OR SEE ANY ERRORS, DO NOT SIGN THIS APPROVAL UNTIL THE DRAWING IS CORRECTED.

SIGN _____ DATE _____

UNLESS OTHERWISE SPECIFIED, DIMENSIONS ARE IN MILLIMETERS. TOLERANCES FOR ROUGH AND CLEAR OPENINGS ARE ±3mm (.125"). ALL OTHERS ARE:

METRIC	X	.X	.XX	ANGLES
	±2.5	±.8	±.25	±2°
IMPERIAL	.X	.XX	.XXX	ANGLES
	±.1	±.03	±.010	±2°

BAR CODE _____ CAGE CODE 1JX04



COPYRIGHT 2014/2015 ADVANTEC GLOBAL INNOVATIONS. ALL RIGHTS RESERVED. CONFIDENTIAL PROPERTY OF ADVANTEC GLOBAL INNOVATIONS. UNAUTHORIZED USE, REPRODUCTION OR DISTRIBUTION IS STRICTLY PROHIBITED. COPIES REMAIN THE PROPERTY OF ADVANTEC GLOBAL INNOVATIONS AND MUST BE RETURNED UPON REQUEST.

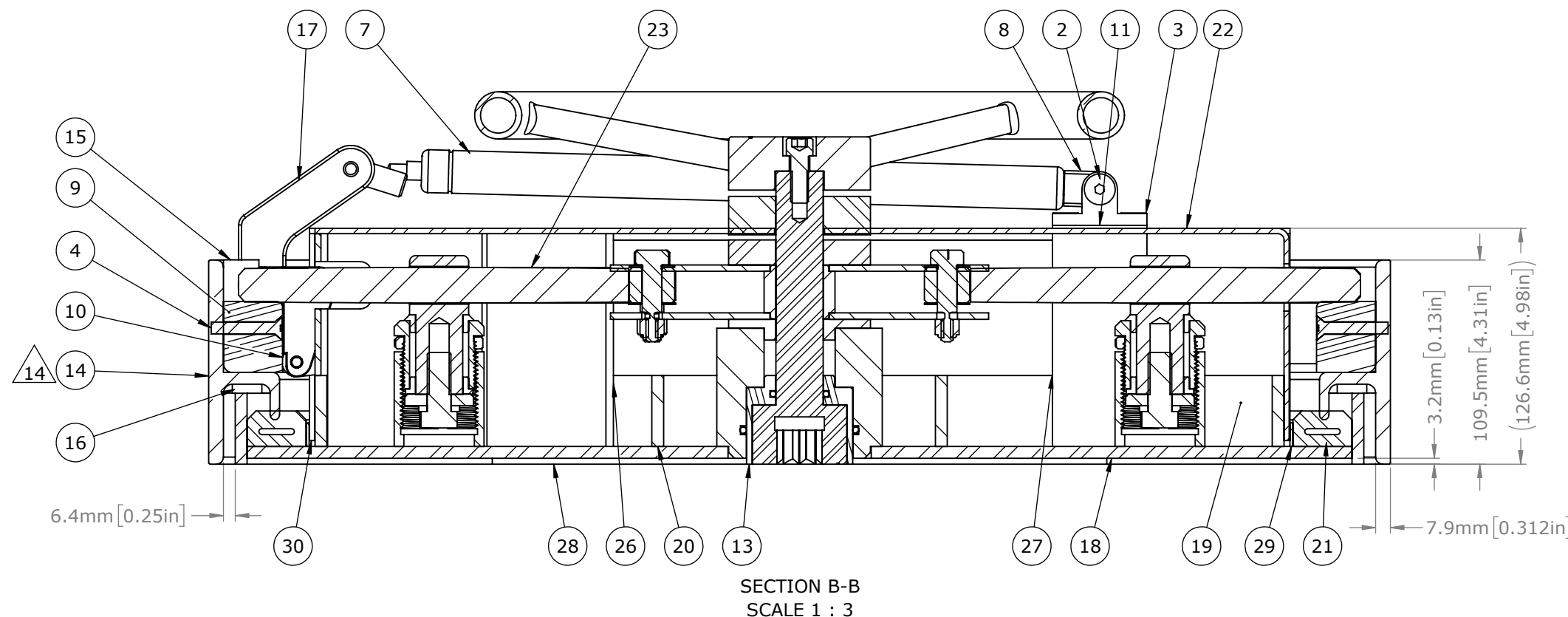
CLIENT ANODYNE LIMITED

PROJECT TITLE FWD TECH ESCAPE HATCH

DWG TITLE MODEL 3240 WATERTIGHT HATCH QTY

SCALE 1:7 DRAWN GG DATE 3/28/2017 CHECKED CR DATE 29/03/17 SIZE B

S.O. NO 50486 DWG NO P0006022-031 SHEET 2 of 2 REV 16



SECTION B-B
SCALE 1 : 3