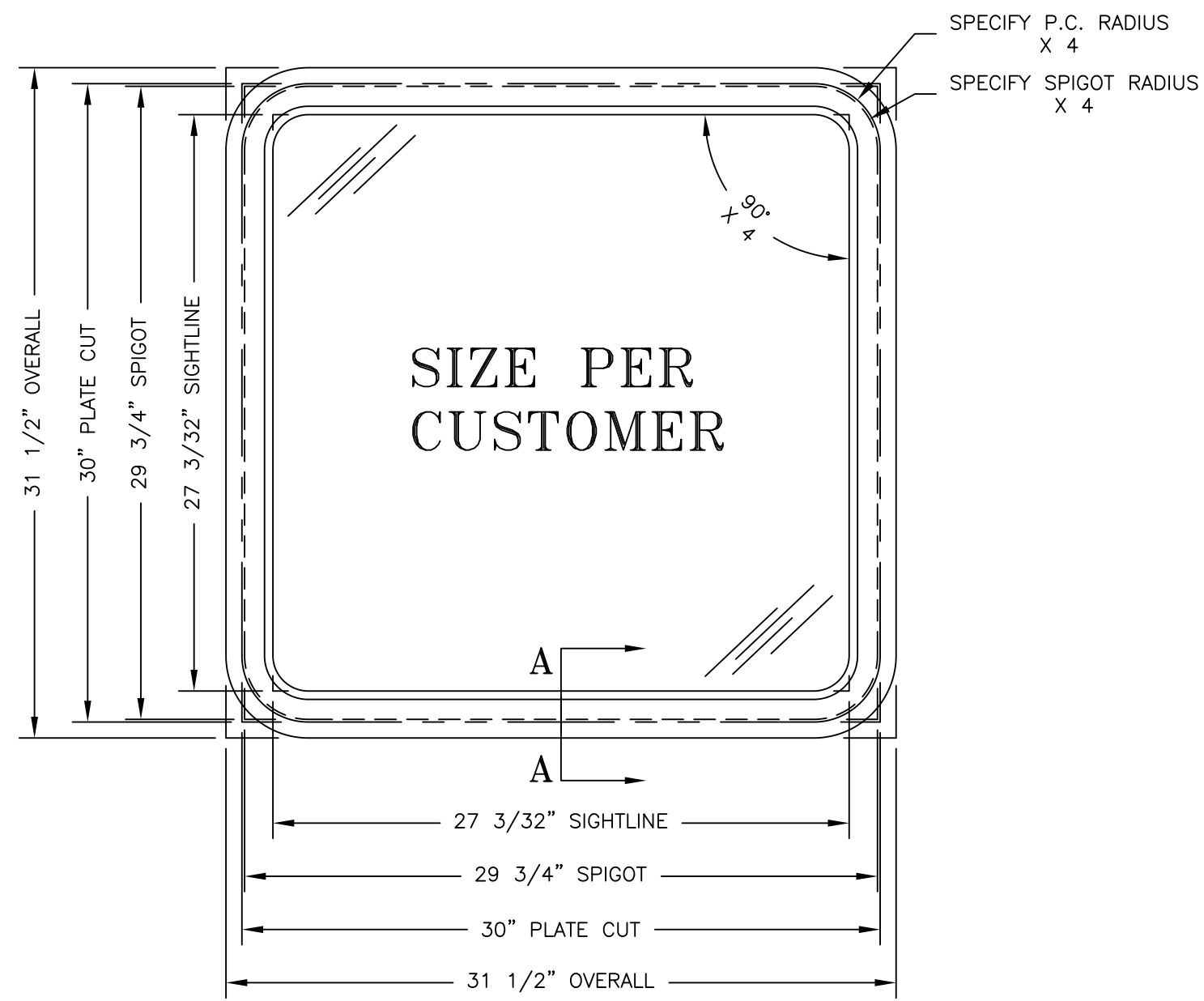
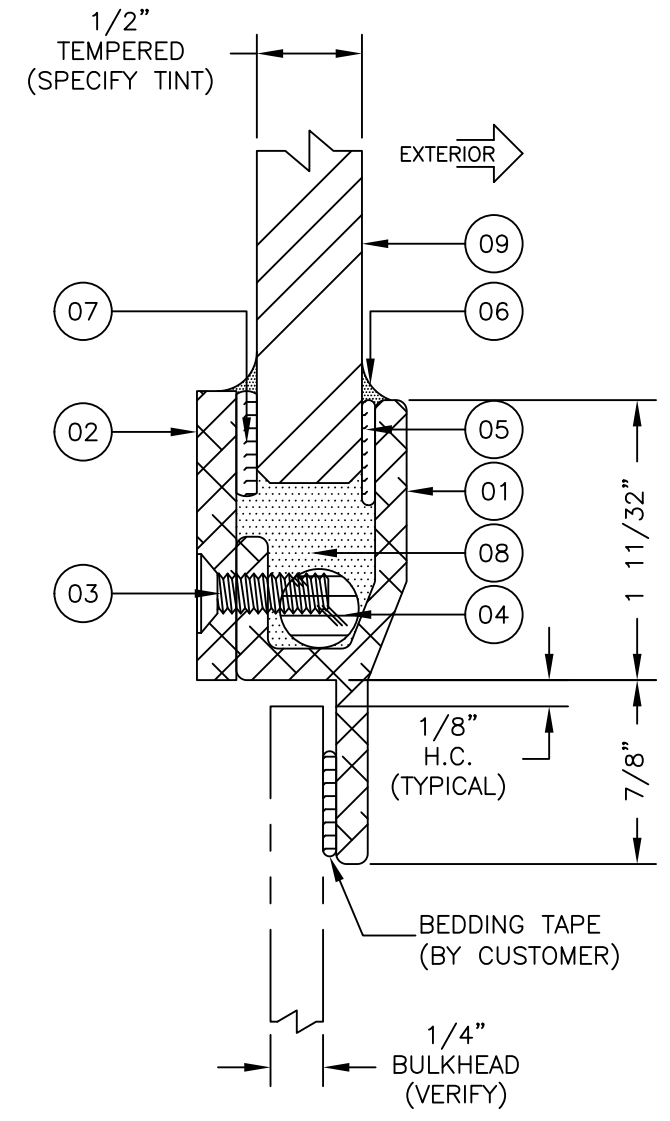


REV	DESCRIPTION	BY	DATE	CHK'D

GENERAL NOTES:
 1) SIZE AS SHOWN.
 2) GLAZING TO BE 1/2" TEMPERED (SPECIFY TINT)



EXTERIOR ELEVATION



SECTION A-A

IMPORTANT! THIS DRAWING SUPERSEDES ALL OTHER DOCUMENTS. By signing this approval you accept the dimensions and details shown here are correct to fit your application regardless of any differences between this drawing and any contract specifications. Should you have any questions or see any errors DO NOT SIGN THIS APPROVAL until the drawing is corrected accordingly.

CUSTOMER APPROVAL

BY: _____

DATE: _____

PAINT/FINISH: _____

CUSTOMER: _____

HULL NO./PROJECT _____

P.O. NO. _____ S.O. NO. _____

ITEM NO. _____

BASE MODEL: WIN-1136-500-B

POS	QTY	DESCRIPTION	MATERIAL	PART NUMBER
01	REQ.	MAIN FRAME	6063 ALU.	00000010186
02	REQ.	GLAZING RING	6063 ALU.	00000010401
03	REQ.	GLAZING RING FASTENERS	18-8 S.S.	00000015760
04	REQ.	BACKER ROD	FOAM	00000014745
05	REQ.	BEDDING TAPE	BUTYL	00000014675
06	REQ.	TOE BEAD	URETHANE	00000014682
07	REQ.	GLAZING TAPE	BUTYL	00000014675
08	REQ.	SEALANT	URETHANE	00000014703
09	REQ.	GLAZING (SEE G.N. 2)	GLASS	CREATE ITEM #

PACIFIC COAST MARINE INC.
 6000 23rd DRIVE WEST
 EVERETT, WASHINGTON 98203 USA
 WWW.PCMII.COM

TITLE: WIN-1136-FX
 FIXED WINDOW

DATE: _____ DRAWING NO: _____ REV: _____

DRAWN BY: _____ CHECKED BY: _____ SHEET: 01 OF 01