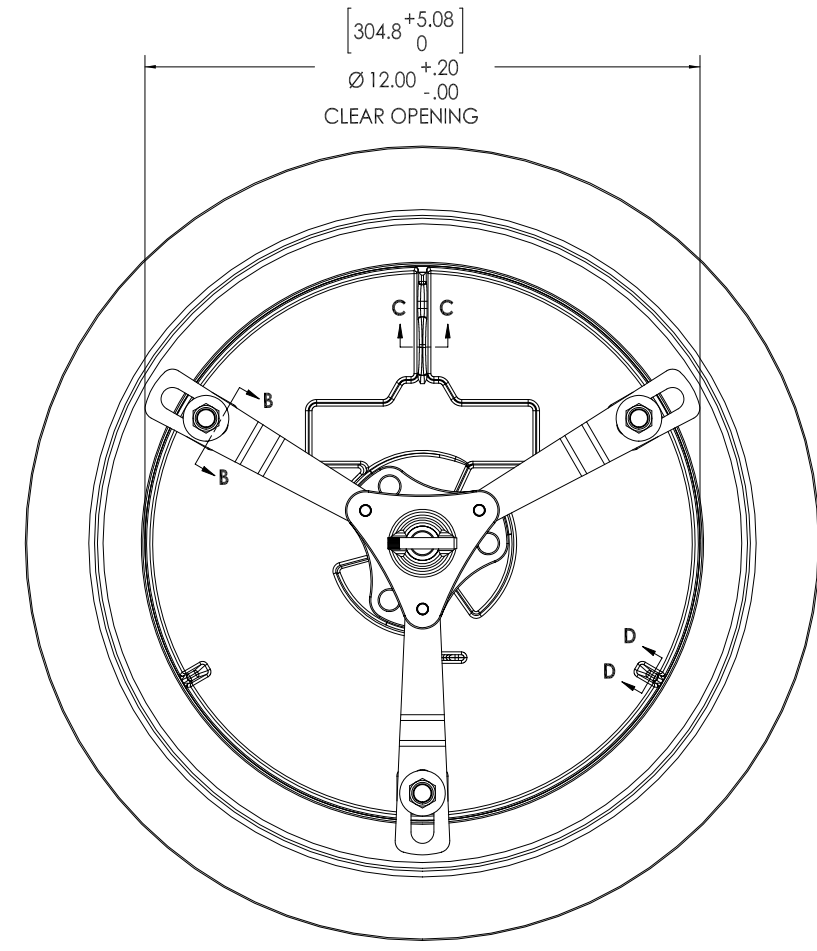
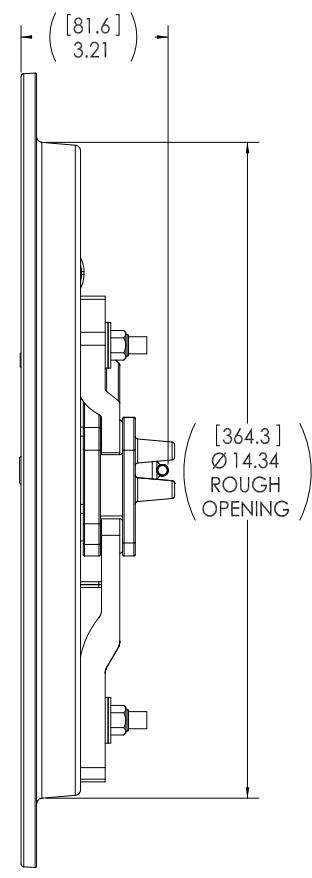
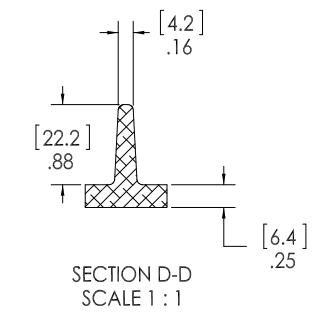
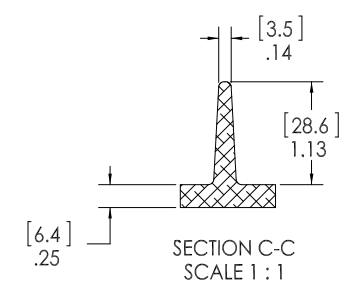
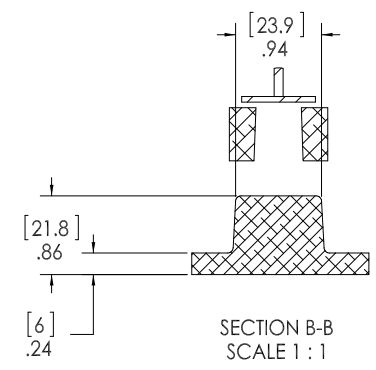
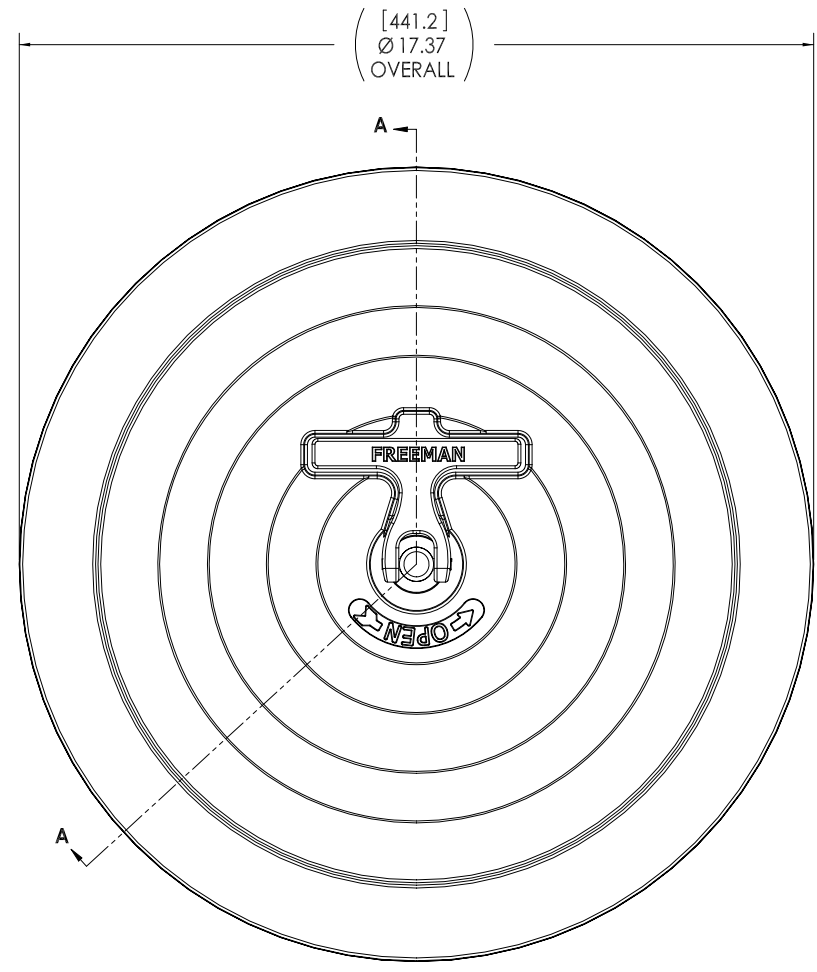


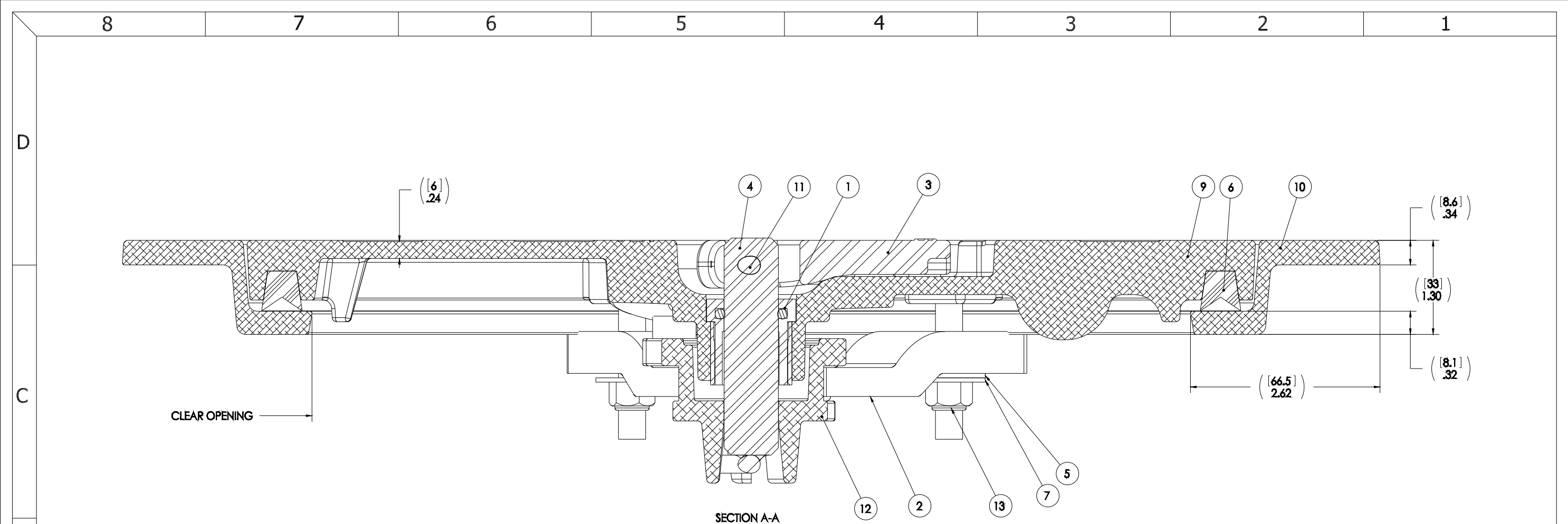
8 7 6 5 4 3 2 1

D
C
B
A



- 8. FOR SPECIFIC INFORMATION CONTACT SALES.
 - 7. COMPLETE ASSEMBLY WEIGHT W/DECK RING, 13.54LBS/ 6.14K.
 - 6. DOGGING PRESSURE FULLY ADJUSTABLE.
 - 5. ALUMINUM ALLOY MECHANISM SHOWN.
 - 4. FLUSH, WATERTIGHT CONSTRUCTION.
 - 3. CAST ALUMINUM ALLOY FLANGE, FLANGE CAN BE DRILLED FOR BOLTED INSTALLATIONS OR WELDED TO ALUMINUM.
 - 2. QUICK-ACTING, MECHANISM ENGAGES OR DISENGAGES IN QUARTER-TURN OF CENTER SPINDLE.
 - 1. ALL DIMENSIONS SHOWN SUBJECT TO CASTING VARIATION.
- NOTES: UNLESS OTHERWISE SPECIFIED.

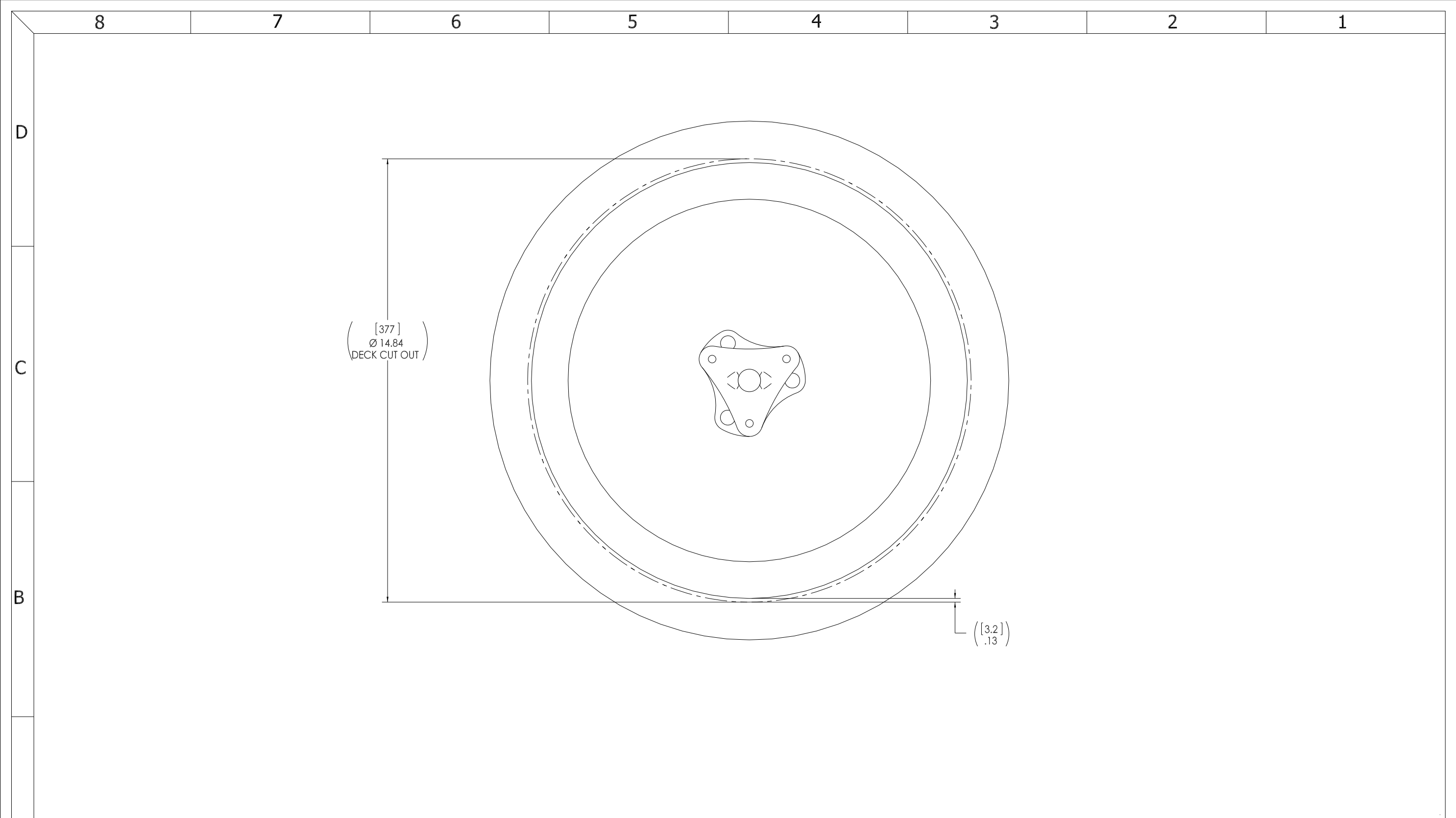
SPECIFICATIONS SUBJECT TO CHANGE WITHOUT NOTICE.		FREEMAN MARINE EQUIPMENT, INC. 28336 HUNTER CREEK ROAD GOLD BEACH, OR 97444 U.S.A. PHONE: 541-247-7078 FAX: 541-247-2114 www.freemanmarine.com	
PROJECTION			
UNLESS OTHERWISE SPECIFIED DIMENSIONS ARE IN INCHES. TOLERANCES FOR ROUGH AND CLEAR OPENINGS: .125 INCH. ALL OTHERS ARE: .X .XX .XXX ANGLES ±.1 ±.03 ±.010 ±2°		CLIENT: FREEMAN MARINE	
DO NOT SCALE DRAWING		TITLE: HATCH: 12, AL COVER, AL RING	
REV. DESCRIPTION: INITIAL RELEASE 12 SEPT 08 SAS		SIZE: D	CAGE CODE: 64747
DATE: DRAWN		DRAWING NUMBER: 2402-0002	REV. -
		SCALE: 1:2	SHEET 1 OF 3



SECTION A-A

ITEM NO.	PART NUMBER	DESCRIPTION	MATERIAL	Default/QT Y.
13	0411-2082	NUT .375IN-16 SS 316 NYLOCK	SS 316/316L	3
12	0011-2004	HUB, AL, 8 & 12	REF. S/A - B.O.M.	1
11	0411-2002	PIN KNURLED .25 X 1.50IN SS 316	SS 316/316L	1
10	2402-1002	RING: 12" ALUMINUM	ALUMINUM, A356.0-F	1
9	2402-3001	COVER: 12 ALUM, FINISHED CASTING	ALUMINUM, A356.0-F	1
8	0411-2003	PIN KNURLED .25 X 1.125IN SS 316	STAINLESS STEEL 316/316L	3
7	0411-2101	WASHER FLAT .375IN SS 316	SS 316/316L	3
6	9801-2002	GASKET: 12 (3.42 FT. OF 0631-9801)	NEOPRENE, 50 DURO	1
5	0413-2078	WASHER, FLAT	NYLON TYPE 6 .406" X 1.0" X .062"	3
4	0021-2001	SHAFT ASSY, 8 & 12 HATCH HANDLE	STAINLESS STEEL	1
3	0212-2016	HANDLE, 8 & 12 HATCH	STAINLESS STEEL, 316L	1
2	0211-2001	DOG, LOCKING ARM, 12, AL	ALUMINUM, 535.2-F	3
1	0091-2002	BUSHING ASSY, 8 & 12 HATCH, W/ SLEEVE	REF. S/A - B.O.M.	1

SPECIFICATIONS SUBJECT TO CHANGE WITHOUT NOTICE.		FREEMAN MARINE EQUIPMENT, INC. 28336 HUNTER CREEK ROAD GOLD BEACH, OR 97444 U.S.A. PHONE: 541-247-7078 FAX: 541-247-2114 www.freemanmarine.com	
PROJECTION		CLIENT: FREEMAN MARINE	
UNLESS OTHERWISE SPECIFIED DIMENSIONS ARE IN INCHES. TOLERANCES FOR ROUGH AND CLEAR OPENINGS: .125 INCH. ALL OTHERS ARE: .X .XX .XXX ANGLES ±.1 ±.03 ±.010 ±2°		TITLE: HATCH: 12, AL COVER, AL RING	
INITIAL RELEASE 12 SEPT 08 SAS		CONTRACT NO.:	
REV. DESCRIPTION: DATE: DRAWN:		DRAWN: S SNYDER DATE: 12 SEPT 08 CHECKED: P. CANCELLIERI DATE: 02 DEC 08 ENGR: DATE: DESIGN ACTIVITY: DATE:	
DO NOT SCALE DRAWING		SIZE: D CAGE CODE: 64747 DRAWING NUMBER: 2402-0002 REV. - SCALE: 1.5:1 CALC. WT. ACT. WT. SHEET 2 OF 3	



- 3. FINISH: 125 RMS MAX.
- 2. BREAK SHARP EDGES AND DEBURR.
- 1. MATERIAL: ALUMINUMREF. S/A - B.O.M.

NOTES: UNLESS OTHERWISE SPECIFIED.

CUSTOMER APPROVAL

Signature: _____
 Date: _____

IMPORTANT! THIS DRAWING SUPERSEDES ALL OTHER DOCUMENTS. By signing this approval you accept and agree that the dimensions and details shown are correct and properly fit your application, regardless of any differences between this drawing and any contract specifications. Should you see any errors in the drawing, or have any questions, please contact your Freeman Marine sales engineer for clarification.

REV.	DESCRIPTION:	DATE:	DRAWN:
-	INITIAL RELEASE	12 SEPT 08	SAS

SPECIFICATIONS SUBJECT TO CHANGE WITHOUT NOTICE.

PROJECTION

UNLESS OTHERWISE SPECIFIED DIMENSIONS ARE IN INCHES. TOLERANCES FOR ROUGH AND CLEAR OPENINGS: .125 INCH. ALL OTHERS ARE:
 .X .XX .XXX ANGLES
 ±.1 ±.03 ±.010 ±2°

DO NOT SCALE DRAWING

FREEMAN MARINE EQUIPMENT, INC.		28336 HUNTER CREEK ROAD GOLD BEACH, OR 97444 U.S.A. PHONE: 541-247-7078 FAX: 541-247-2114 www.freemanmarine.com	
<small>CONFIDENTIAL PROPERTY OF FREEMAN MARINE EQUIPMENT, INC. UNLESS OTHERWISE SPECIFIED. ALL RIGHTS RESERVED. THIS DRAWING IS THE PROPERTY OF FREEMAN MARINE EQUIPMENT, INC. AND SHALL BE RETURNED UPON REQUEST.</small>		<small>© ALL RIGHTS RESERVED 2012, FREEMAN MARINE EQUIPMENT, INC.</small>	
CLIENT: FREEMAN MARINE		TITLE: HATCH: 12, AL COVER, AL RING	
DRAWN: S SNYDER	DATE: 12 SEPT 08	SIZE: D	CAGE CODE: 64747
CHECKED: P. CANCELLIERI	DATE: 02DEC09	DRAWING NUMBER: 2402-0002	REV. -
ENGR:	DATE:	SCALE: 2:3	CALC. WT. ACT. WT.
DESIGN ACTIVITY:	DATE:	SHEET 3 OF 3	
CONTRACT NO.:			