

SECTION A-A

SECTION B-B
SCALE 1 : 1

ITEM NO.	QTY.	PART NUMBER	DESCRIPTION	MATERIAL
12	1	0031-2058	BUSHING ASSY, W/O-RING, NO SLEEVE	ACETRON/RUBBER
11	1	0212-2017	ACTUATOR, 316LD S/S	STAINLESS STEEL, 316L
10	4	0212-2012	DOG, LOCKING ARM 30	STAINLESS STEEL, 316L
9	1	0212-2015	HUB, 4 HOLE, 316L S/S	CAST STAINLESS STEEL
8	1	0021-2005	HANDLE, S/S, ROUND BAR	STAINLESS STEEL, 316
7	1	0411-2004	PIN KNURLED .25 X 2.25IN SS 316	SS 316/316L
6	4	0411-2032	NUT .375IN-16 SS 316 NYLOCK	SS 316/316L
5	4	0411-2033	WASHER .406 X 1.25 X .125IN SS 316	SS 316/316L
4	4	0413-2005	WASHER, .406 X 1.250 X .062 NYLON	NYLON
3	1	0631-9839	GASKET	NEOPRENE
2	1	2415-3001	COVER, MODEL 30 H	ALUMINUM
1	1	2415-1002	RING: 30-H	ALUMINUM A356.0-F

REV.	DESCRIPTION:	DATE:	DRAWN:
-	INITIAL RELEASE	25AUG10	GJM
A	UPDATE GEN NOTES AND B.O.M.	12JUL11	PPC

SPECIFICATIONS SUBJECT TO CHANGE WITHOUT NOTICE.

PROJECTION

UNLESS OTHERWISE SPECIFIED DIMENSIONS ARE IN INCHES. TOLERANCES FOR ROUGH AND CLEAR OPENINGS: .125 INCH. ALL OTHERS ARE:
 .X .XX .XXX ANGLES
 ±.1 ±.03 ±.010 ±2°

DO NOT SCALE DRAWING

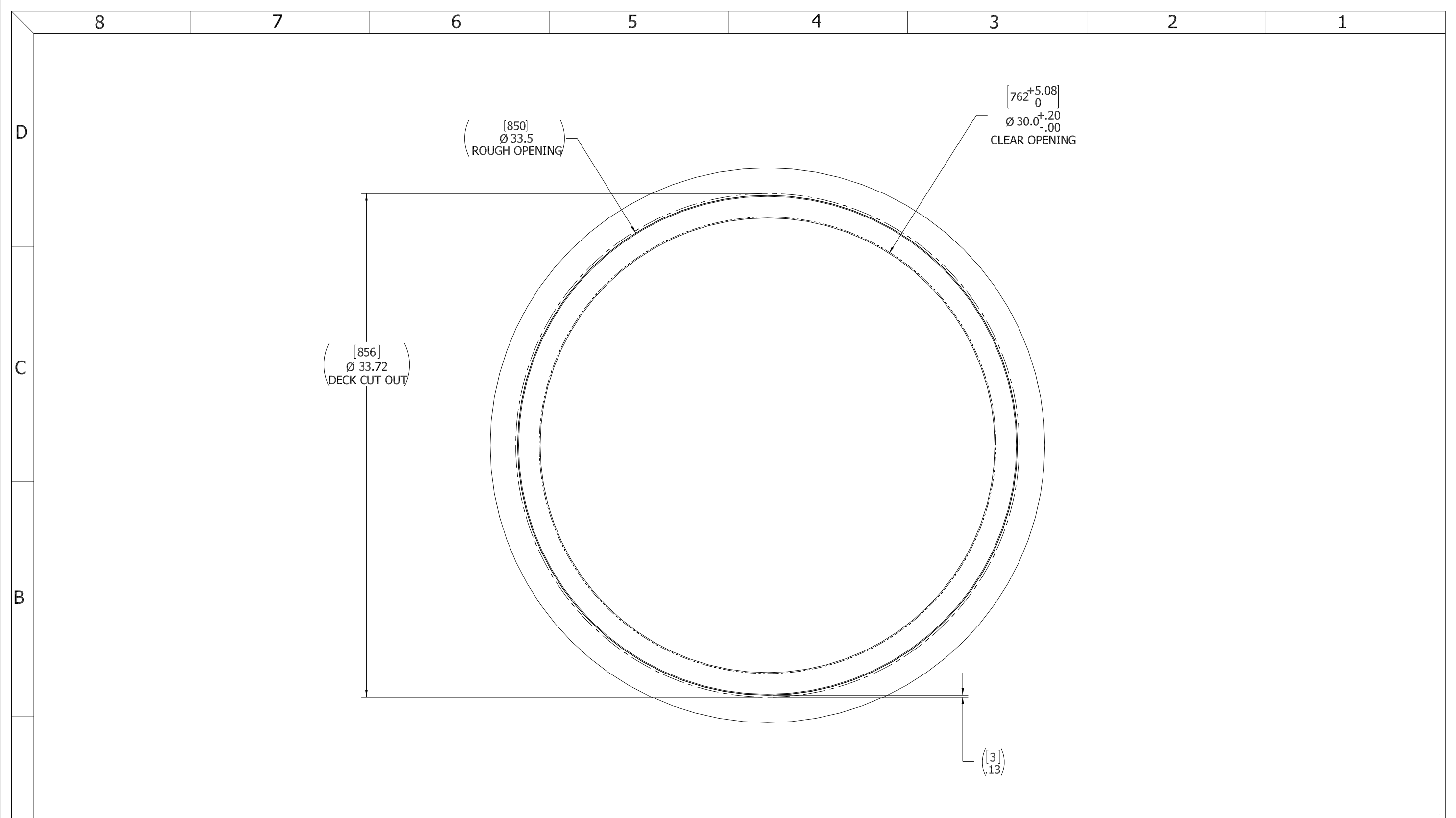
FREEMAN MARINE EQUIPMENT, INC.
 28336 HUNTER CREEK ROAD
 GOLD BEACH, OR 97444 U.S.A.
 PHONE: 541-247-7078 FAX: 541-247-2114
 www.freemanmarine.com

CLIENT: FREEMAN MARINE EQUIPMENT

TITLE: HATCH: 30, AL COVER, AL RING, S/S MECHANISM, W/INTEGRAL T-HANDLE

SIZE: D CAGE CODE: 64747 DRAWING NUMBER: 2415-0006 REV. A

SCALE: 2:3 CALC. WT. ACT. WT. SHEET 2 OF 3



- 3. FINISH: 125 RMS MAX.
- 2. BREAK SHARP EDGES AND DEBURR.
- 1. MATERIAL: REF. S/A - B.O.M.

NOTES: UNLESS OTHERWISE SPECIFIED.

CUSTOMER APPROVAL

Signature: _____
 Date: _____

IMPORTANT! THIS DRAWING SUPERSEDES ALL OTHER DOCUMENTS. By signing this approval you accept and agree that the dimensions and details shown are correct and properly fit your application, regardless of any differences between this drawing and any contract specifications. Should you see any errors in the drawing, or have any questions, please contact your Freeman Marine sales engineer for clarification.

REV.	DESCRIPTION:	DATE:	DRAWN:
-	INITIAL RELEASE	25AUG10	GJM
A	UPDATE GEN NOTES AND B.O.M.	12JUL11	PPC

SPECIFICATIONS SUBJECT TO CHANGE WITHOUT NOTICE.

PROJECTION

UNLESS OTHERWISE SPECIFIED DIMENSIONS ARE IN INCHES. TOLERANCES FOR ROUGH AND CLEAR OPENINGS: .125 INCH. ALL OTHERS ARE:
 .X .XX .XXX ANGLES
 ±.1 ±.03 ±.010 ±2°

DO NOT SCALE DRAWING

FREEMAN MARINE EQUIPMENT, INC. <small>CONFIDENTIAL PROPERTY OF FREEMAN MARINE EQUIPMENT, INC. UNLESS OTHERWISE SPECIFIED. ALL RIGHTS RESERVED. THIS DRAWING IS THE PROPERTY OF FREEMAN MARINE EQUIPMENT, INC. AND SHALL BE RETURNED UPON REQUEST.</small> <small>© ALL RIGHTS RESERVED 2012, FREEMAN MARINE EQUIPMENT, INC.</small>		28336 HUNTER CREEK ROAD GOLD BEACH, OR 97444 U.S.A. PHONE: 541-247-7078 FAX: 541-247-2114 www.freemanmarine.com	
		CLIENT: FREEMAN MARINE EQUIPMENT	
TITLE: HATCH: 30, AL COVER, AL RING, S/S MECHANISM, W/INTEGRAL T-HANDLE		SIZE: D	CAGE CODE: 64747
DRAWN: G MACEACHERN DATE: 25AUG10 CHECKED: _____ DATE: _____ ENGR: _____ DATE: _____ DESIGN ACTIVITY: _____ DATE: _____ CONTRACT NO.: _____		DRAWING NUMBER: 2415-0006	REV: A
SCALE: 1:3		CALC WT.	ACT. WT.
		SHEET 3 OF 3	