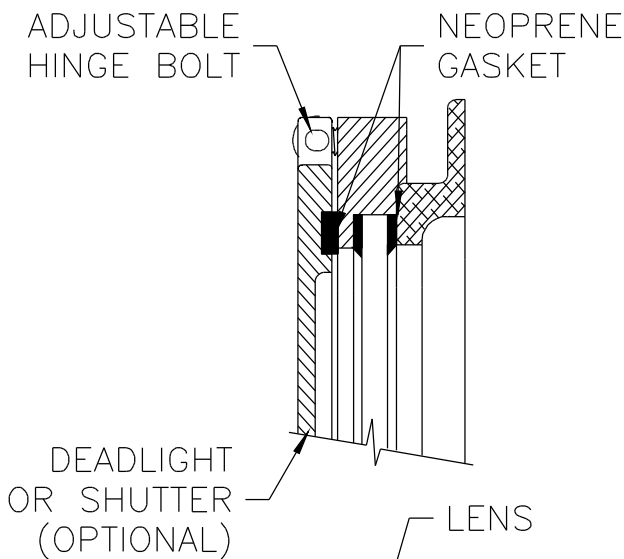


SECTION B-B

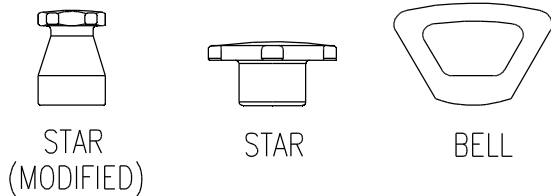
FIXED LIGHT W/O COVER

DIMENSION SCHEDULE	
FLANGE TO FLANGE	Ø16.30
CLEAR GLASS	Ø11.85



SECTION A-A

FIXED LIGHT W/ COVER



KNOB OPTIONS

10. FOR SPECIFIC INFORMATION CONTACT SALES. ADJUSTABLE
9. MANY OTHER MODELS & SIZES AVAILABLE. DROP BOLT
8. CLASSIFICATION SOCIETY APPROVALS AVAILABLE.
7. VARIOUS PREP, PRIMER, & PAINT AVAILABLE.
6. SHUTTER OR DEADLIGHT OPTIONAL (DEADLIGHT SHOWN).
5. SPIGOT DEPTH OPTIONAL.
4. PREMIUM DUTY, WATERTIGHT CONSTRUCTION.
3. WILL ACCOMMODATE 3/8" OR 1/2" GLASS OR LEXAN.
2. 12" CLEAR GLASS.
1. FIXED LIGHT (NON-OPENING LENS).

NOTES:

<p>FREEMAN MARINE EQUIPMENT INC. 28336 HUNTER CREEK ROAD GOLD BEACH, OREGON 97444 U.S.A. PHONE: 541-247-7078 FAX: 541-247-2114 WWW.FREEMANMARINE.COM</p>	TITLE: FIXED LIGHT, ROUND, 12 INCH		FSCM. NO. 64747	DRAWING NUMBER 4107-0001	REV A	
	DWN BY: ZA		UNITS: INCH	DATE: 29JUNE01	SHEET 1 OF 2	
	CAD FILENAME: 4100\4107\0001A01.DWG		<small>© ALL RIGHTS RESERVED, 2001 FREEMAN MARINE EQUIPMENT, INC. SPECIFICATIONS SUBJECT TO CHANGE WITHOUT NOTICE</small>			