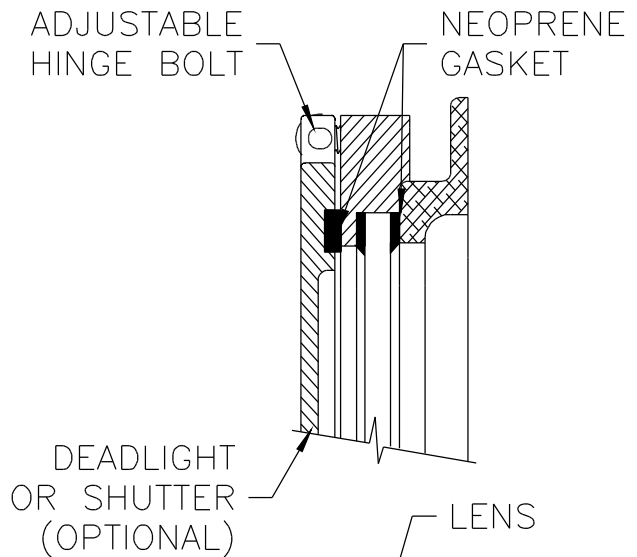


SECTION B-B

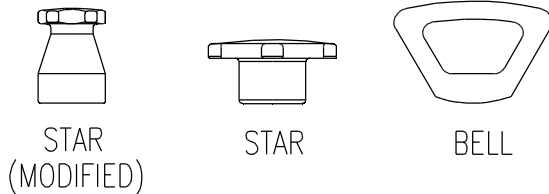
FIXED LIGHT W/O COVER

DIMENSION SCHEDULE	
FLANGE TO FLANGE	11.88 X 21.95
CLEAR GLASS	7.53 X 17.60



SECTION A-A

FIXED LIGHT W/ COVER



KNOB OPTIONS

10. FOR SPECIFIC INFORMATION CONTACT SALES. ADJUSTABLE
9. MANY OTHER MODELS & SIZES AVAILABLE. DROP BOLT
8. CLASSIFICATION SOCIETY APPROVALS AVAILABLE.
7. VARIOUS PREP, PRIMER, & PAINT AVAILABLE.
6. SHUTTER OR DEADLIGHT OPTIONAL (DEADLIGHT SHOWN).
5. SPIGOT DEPTH OPTIONAL.
4. PREMIUM DUTY, WATERTIGHT CONSTRUCTION.
3. WILL ACCOMMODATE 3/8" OR 1/2" GLASS OR LEXAN.
2. 8" X 18" CLEAR OPENING.
1. FIXED LIGHT (NON-OPENING LENS).

NOTES:

<p>FREEMAN MARINE EQUIPMENT INC. 28336 HUNTER CREEK ROAD GOLD BEACH, OREGON 97444 U.S.A. PHONE: 541-247-7078 FAX: 541-247-2114 WWW.FREEMANMARINE.COM</p>	TITLE:	FSCM. NO.	DRAWING NUMBER	REV
	FIXED LIGHT, RECTANGULAR, 8-18	64747	4132-0001	A
DWN BY: ZA UNITS: INCH DATE: 15JUN01		SCALE: PS: MS SHEET 1 OF 2		
CAD FILENAME: 4100\4132\0001A01.DWG		<small>© ALL RIGHTS RESERVED. 2001 FREEMAN MARINE EQUIPMENT, INC. SPECIFICATIONS SUBJECT TO CHANGE WITHOUT NOTICE</small>		