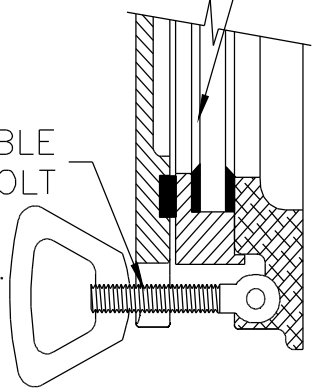
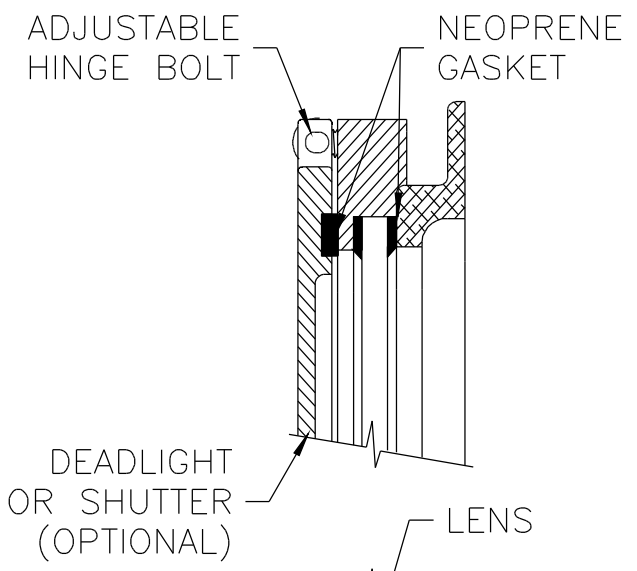
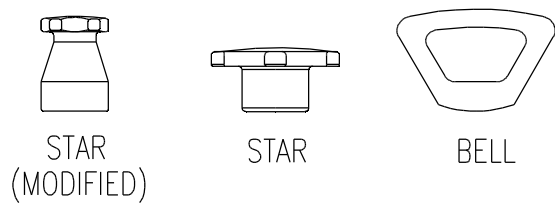


SECTION B-B  
FIXED LIGHT W/O COVER

DIMENSION SCHEDULE	
FLANGE TO FLANGE	27.25 X 17.63
CLEAR GLASS	22.80 X 13.20



SECTION A-A  
FIXED LIGHT W/ COVER



KNOB OPTIONS

10. FOR SPECIFIC INFORMATION CONTACT SALES. ADJUSTABLE
9. MANY OTHER MODELS & SIZES AVAILABLE. DROP BOLT
8. CLASSIFICATION SOCIETY APPROVALS AVAILABLE.
7. VARIOUS PREP, PRIMER, & PAINT AVAILABLE.
6. SHUTTER OR DEADLIGHT OPTIONAL (DEADLIGHT SHOWN).
5. SPIGOT DEPTH OPTIONAL.
4. PREMIUM DUTY, WATERTIGHT CONSTRUCTION.
3. WILL ACCOMMODATE 3/8" OR 1/2" GLASS OR LEXAN.
2. 14.5" X 24.5" CLEAR OPENING.
1. FIXED LIGHT (NON-OPENING LENS).

NOTES:

**FREEMAN**  
MARINE EQUIPMENT INC.  
28336 HUNTER CREEK ROAD  
GOLD BEACH, OREGON 97444 U.S.A.  
PHONE: 541-247-7078 FAX:  
541-247-2114  
WWW.FREEMANMARINE.COM

TITLE: FIXED LIGHT, OVAL, 14.5-24

DWN BY: ZA UNITS: INCH DATE: 02FEB01  
CAD FILENAME: 4100\4158\0001A01.DWG

FSCM. NO.	DRAWING NUMBER	REV
64747	4158-0001	A
SCALE: PS: MS	SHEET 1 OF 2	
© ALL RIGHTS RESERVED. 2001 FREEMAN MARINE EQUIPMENT, INC. SPECIFICATIONS SUBJECT TO CHANGE WITHOUT NOTICE		