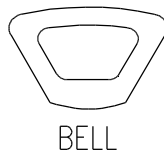
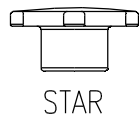
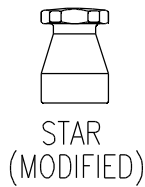
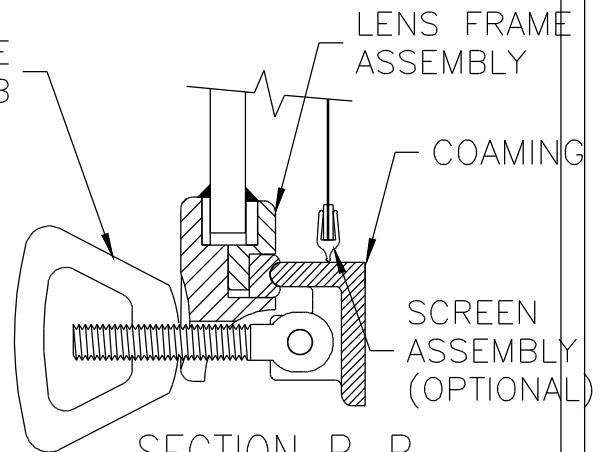


DIMENSION SCHEDULE	
FLANGE TO FLANGE	Ø12.69
CLEAR GLASS	Ø8.22
CLEAR OPENING	Ø9.69



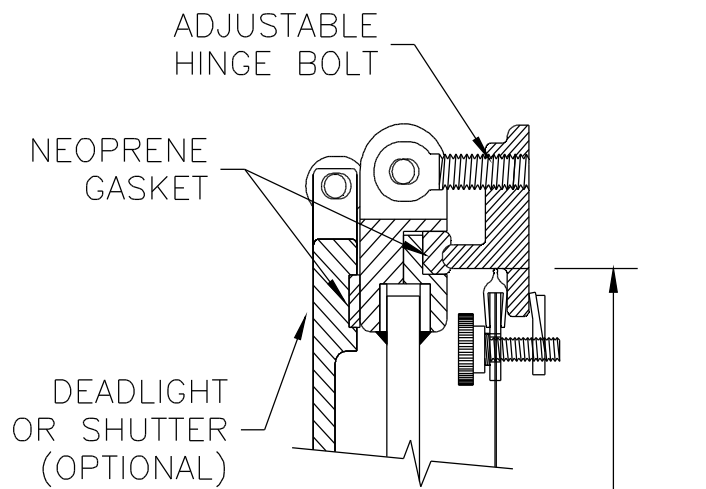
KNOB OPTIONS

13. FOR SPECIFIC INFORMATION CONTACT SALES.
12. MANY OTHER MODELS & SIZES AVAILABLE. ADJUSTABLE
11. CLASSIFICATION SOCIETY APPROVALS AVAILABLE.
10. VARIOUS PREP, PRIMER, & PAINT AVAILABLE.
9. SOLID NEOPRENE GASKET STANDARD.
8. ADJUSTABLE HINGES STANDARD.
7. SPIGOT DEPTH OPTIONAL.
6. SHUTTER OR DEADLIGHT OPTIONAL (DEADLIGHT SHOWN).
5. SCREEN OPTIONAL.
4. PREMIUM DUTY, WATERTIGHT CONSTRUCTION.
3. WILL ACCOMMODATE 3/8" OR 1/2" GLASS OR LEXAN.
2. 9" CLEAR OPENING.
1. OPENING ROUND PORTLIGHT.

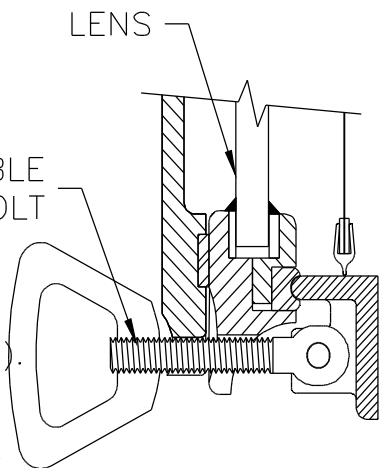


SECTION B-B

PORTLIGHT W/O COVER



CLEAR OPENING



SECTION A-A

PORTLIGHT W/COVER

NOTES:

FREEMAN
MARINE EQUIPMENT INC.
 28336 HUNTER CREEK ROAD
 GOLD BEACH, OREGON 97444 U.S.A.
 PHONE: 541-247-7078 FAX:
 541-247-2114
 WWW.FREEMANMARINE.COM

TITLE: PORTLIGHT, ROUND,
 9 INCH

DWN BY: ZA UNITS: INCH DATE: 25JUN 01
 CAD FILENAME: 4200\4205\0001A01.DWG

FSCM. NO.	DRAWING NUMBER	REV
64747	4205-0001	A
SCALE: PS: MS	SHEET 1 OF 2	
© ALL RIGHTS RESERVED. 2001 FREEMAN MARINE EQUIPMENT, INC. SPECIFICATIONS SUBJECT TO CHANGE WITHOUT NOTICE		