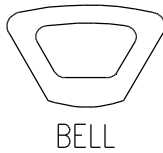
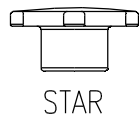
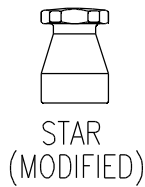
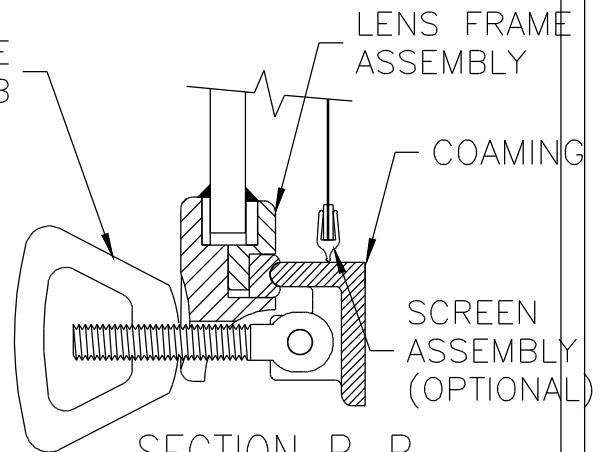


DIMENSION SCHEDULE	
FLANGE TO FLANGE	Ø16.30
CLEAR GLASS	Ø11.86
CLEAR OPENING	Ø13.30



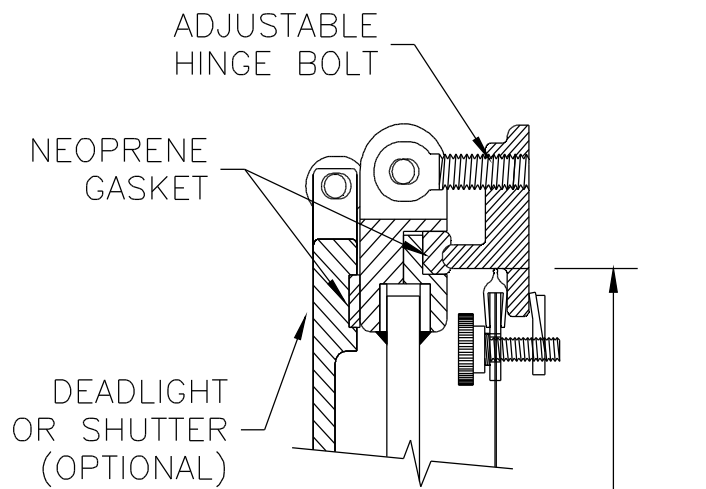
KNOB OPTIONS

13. FOR SPECIFIC INFORMATION CONTACT SALES.
12. MANY OTHER MODELS & SIZES AVAILABLE. ADJUSTABLE
11. CLASSIFICATION SOCIETY APPROVALS AVAILABLE.
10. VARIOUS PREP, PRIMER, & PAINT AVAILABLE.
9. SOLID NEOPRENE GASKET STANDARD.
8. ADJUSTABLE HINGES STANDARD.
7. SPIGOT DEPTH OPTIONAL.
6. SHUTTER OR DEADLIGHT OPTIONAL (DEADLIGHT SHOWN).
5. SCREEN OPTIONAL.
4. PREMIUM DUTY, WATERTIGHT CONSTRUCTION.
3. WILL ACCOMMODATE 3/8" OR 1/2" GLASS OR LEXAN.
2. 12" CLEAR OPENING.
1. OPENING ROUND PORTLIGHT.

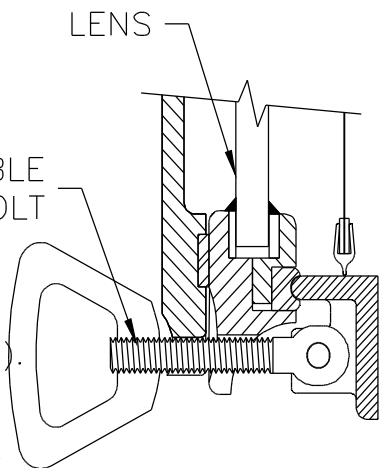


SECTION B-B

PORTLIGHT W/O COVER



CLEAR OPENING



SECTION A-A

PORTLIGHT W/COVER

NOTES:

FREEMAN MARINE EQUIPMENT INC. 28336 HUNTER CREEK ROAD GOLD BEACH, OREGON 97444 U.S.A. PHONE: 541-247-7078 FAX: 541-247-2114 WWW.FREEMANMARINE.COM	TITLE: PORTLIGHT, ROUND, 12 INCH	FSCM. NO. 64747	DRAWING NUMBER 4207-0001	REV A
	DWN BY: ZA UNITS: INCH DATE: 26JUN 01	SCALE: PS: MS	SHEET 1 OF 2	
CAD FILENAME: 4200\4207\0001A01.DWG		© ALL RIGHTS RESERVED. 2001 FREEMAN MARINE EQUIPMENT, INC. SPECIFICATIONS SUBJECT TO CHANGE WITHOUT NOTICE		