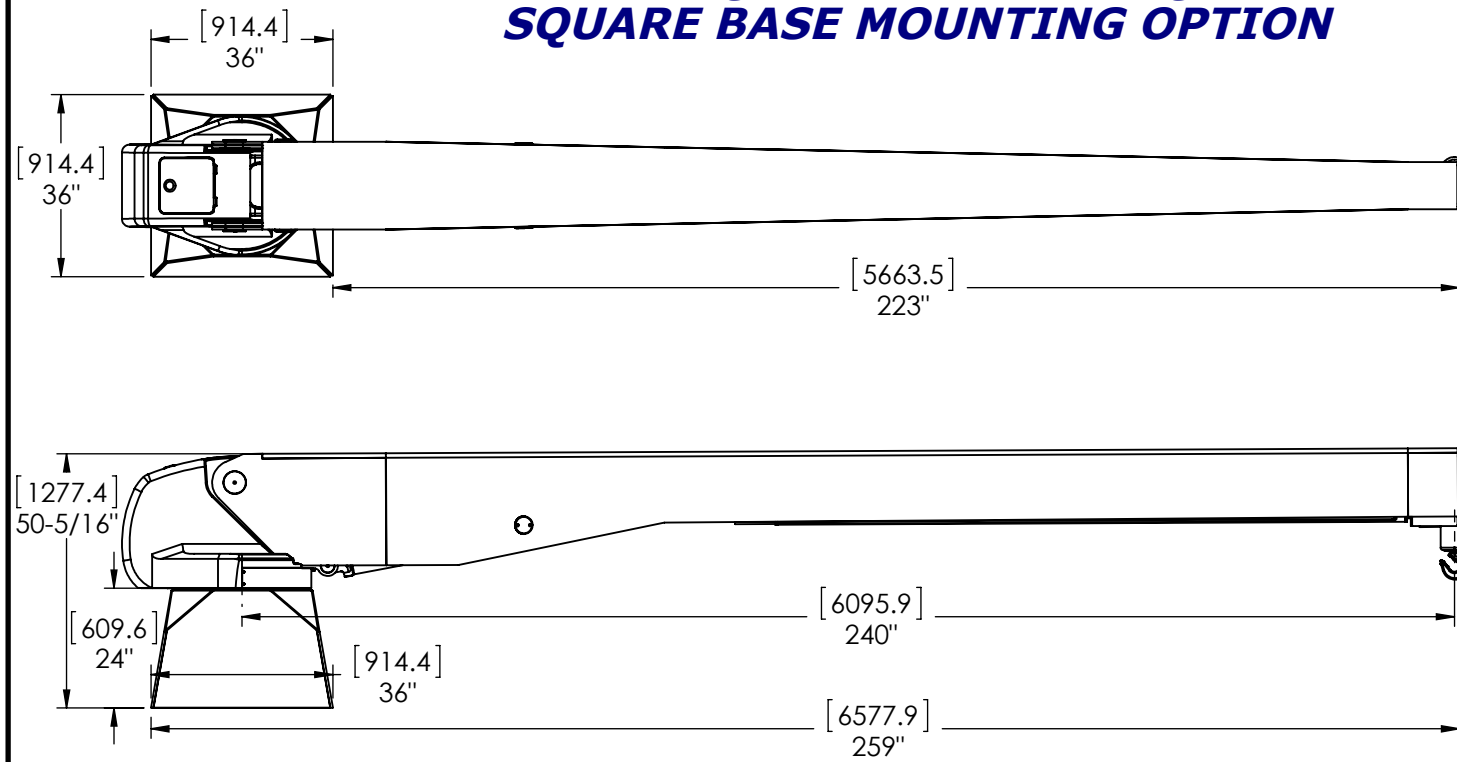
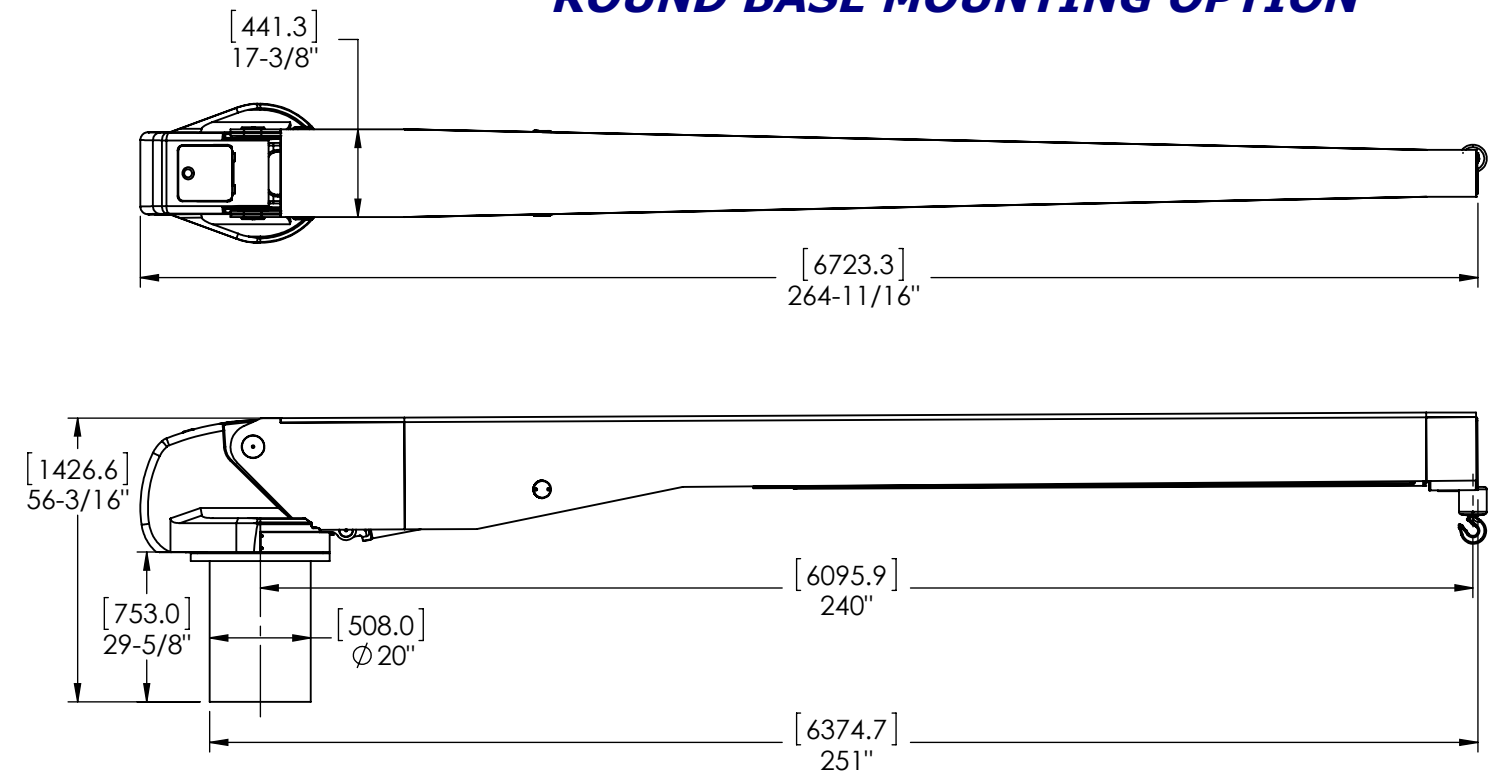


**CT6000 @ 20ft TO CT3000 @ 30ft  
SQUARE BASE MOUNTING OPTION**



**CT6000 @ 20ft TO CT3000 @ 30ft  
ROUND BASE MOUNTING OPTION**

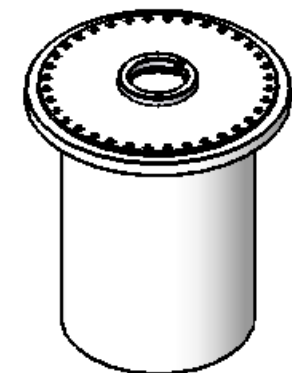
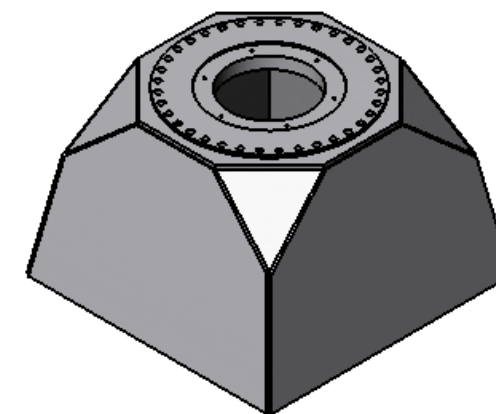
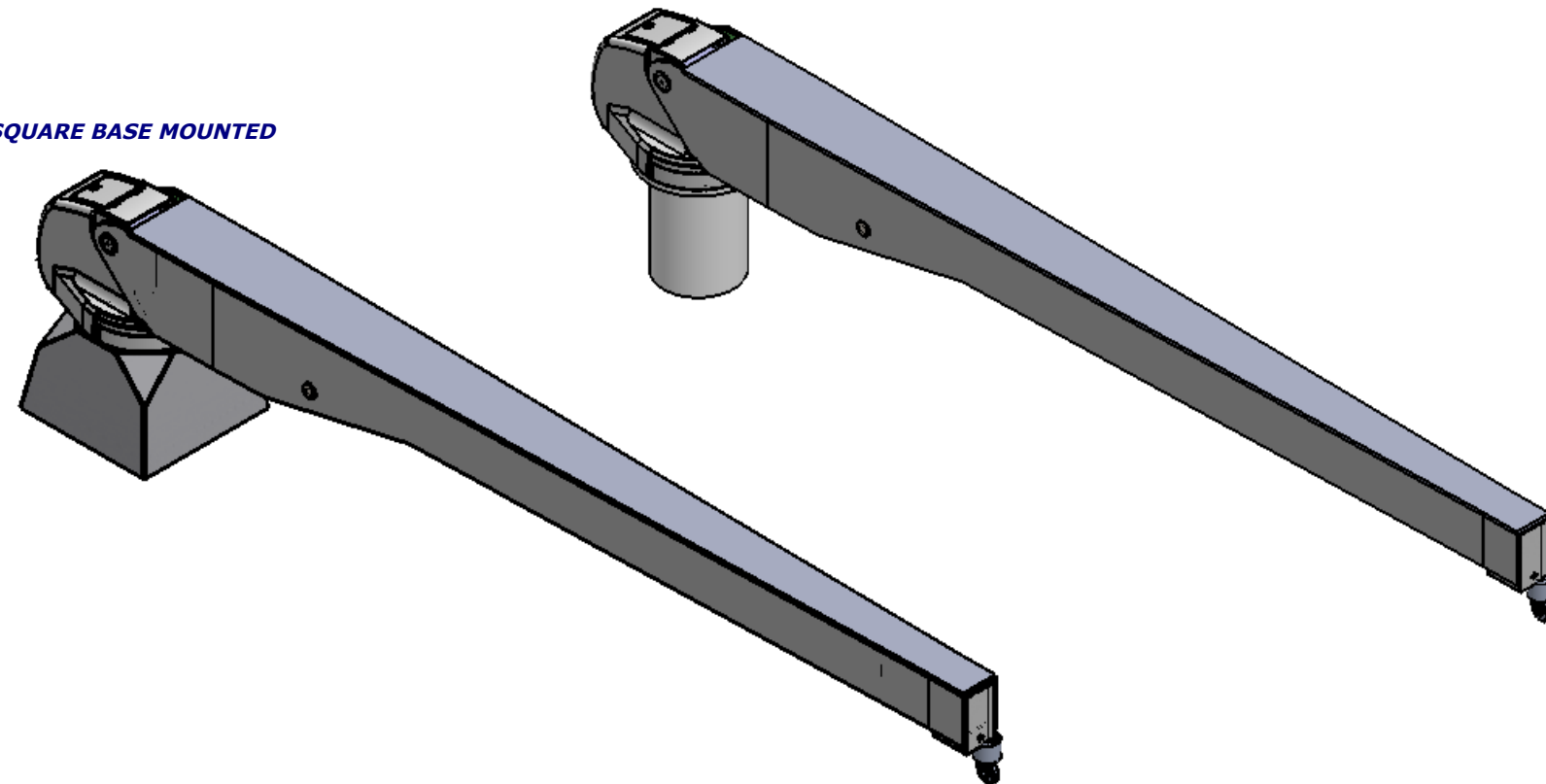


**SQUARE BASE**

**ROUND BASE**

**ROUND BASE MOUNTED**

**SQUARE BASE MOUNTED**



THE INFORMATION CONTAINED IN THIS DRAWING CONSTITUTES THE INTELLECTUAL PROPERTY, INCLUDING, BUT NOT LIMITED TO, KNOWLEDGE, TRADE SECRETS, AND PROPRIETARY INFORMATION WHICH IS THE EXCLUSIVE PROPERTY OF STEELHEAD MARINE LTD.. ALL INFORMATION CONTAINED IN THIS DRAWING IS TO BE HELD IN THE STRICTEST CONFIDENCE BY THE RECIPIENT, AND IS NOT TO BE COPIED, DISCLOSED TO, OR TRANSMITTED TO ANY THIRD PARTIES WITHOUT THE EXPRESS WRITTEN AUTHORIZATION OF STEELHEAD MARINE LTD.

**CAD GENERATED DRAWING.  
DO NOT MANUALLY UPDATE.  
\*\*\* DO NOT SCALE \*\*\*  
UNLESS OTHERWISE SPECIFIED  
ALL DIMENSIONS ARE IN  
INCHES.**

TOLERANCES:  
FRACTIONS = ±1/16  
0, 0.0 = ±0.030  
0.00 = ±0.010  
0.000 = ±0.005  
ANGLES = ±1.0

3rd ANGLE PROJ.



Unit# 2 - 5367 271 Street, Langley, B.C. Canada  
Tel: 604-607-0091 Fax: 604-607-0092  
Web: www.steelheadmarine.net  
E-mail: sales@steelheadmarine.net

DRAWN:	G.B.
DATE:	12/11/2014
CHECKED:	
APPROVED:	
SCALE:	1:38

**CT6000 ASSEMBLY  
MOUNTED ON MULTIPLE BASES  
PROJECT: CT6000**

DWG. NO.:	SHEET:	REV.:
<b>CT6000 On Bases</b>	<b>1 OF 1</b>	