

8

7

6

5

4

3

2

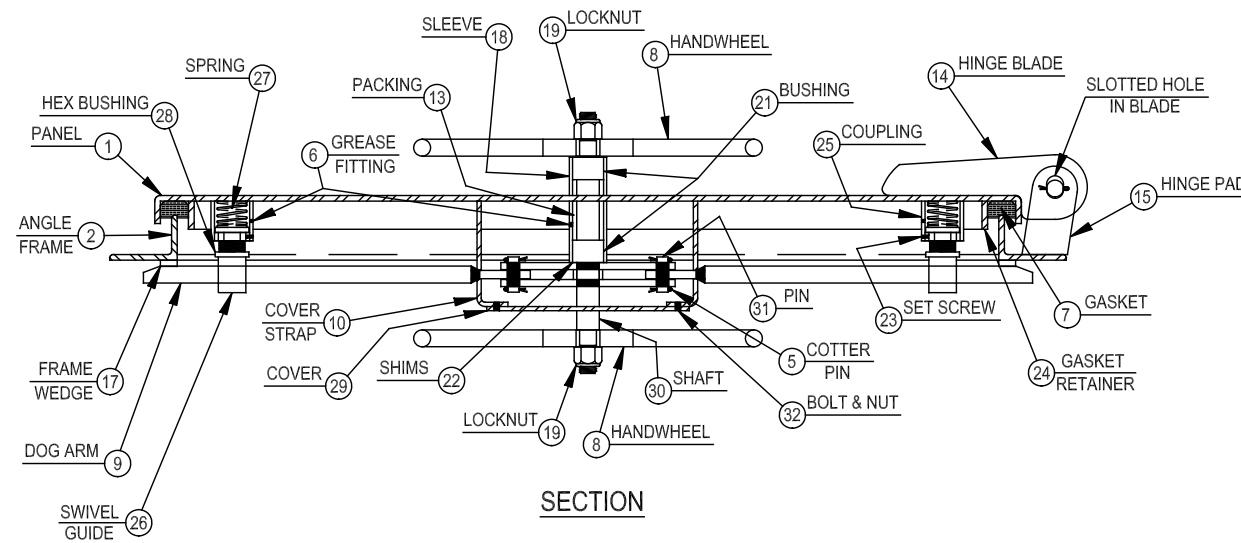
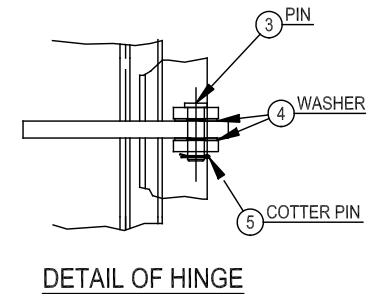
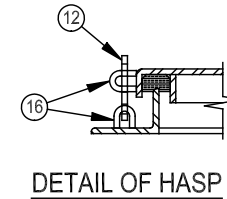
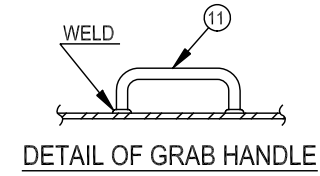
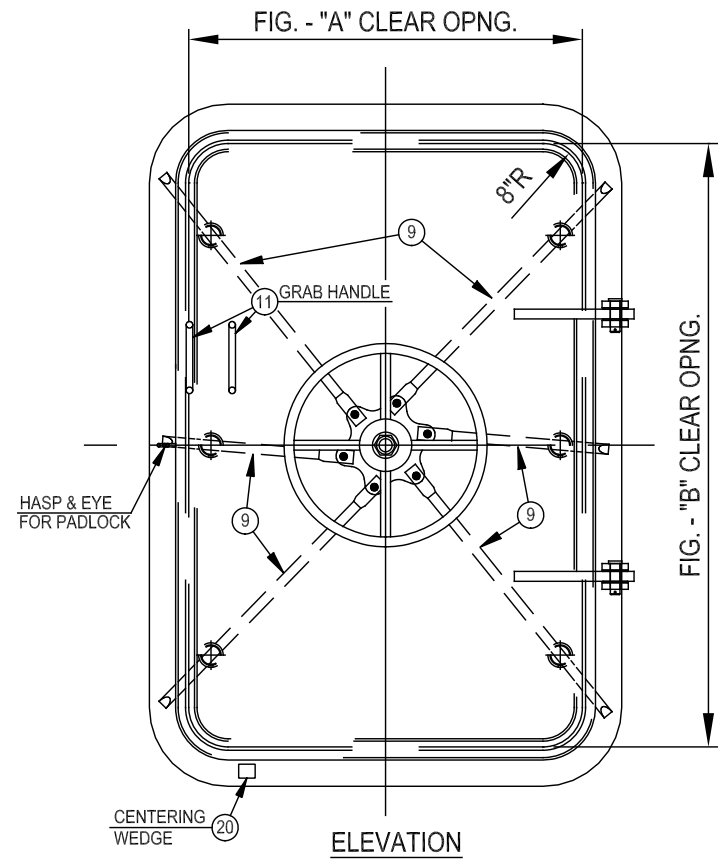
1

D

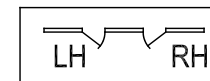
C

B

A



SCHEDULE OF MATERIALS		
PC.	MATERIAL	REMARKS
1	STAINLESS	
2	STAINLESS	
3	STAINLESS	
4	STAINLESS	
5	STAINLESS	
6	STAINLESS	
7	NEOPRENE	
8	STAINLESS	
9	STAINLESS	
10	STAINLESS	
11	STAINLESS	
12	STAINLESS	
13	TEFLON	
14	STAINLESS	
15	STAINLESS	
16	STAINLESS	
17	STAINLESS	
18	STAINLESS	
19	STAINLESS	
20	STAINLESS	
21	DELTRIN	
22	STAINLESS	
23	STAINLESS	
24	STAINLESS	
25	STAINLESS	
26	STAINLESS	
27	STAINLESS	
28	STAINLESS	
29	STAINLESS	
30	STAINLESS	
31	STAINLESS	
32	STAINLESS	



SPECIFICATIONS SUBJECT TO CHANGE WITHOUT NOTICE.

PROJECTION



UNLESS OTHERWISE SPECIFIED DIMENSIONS ARE IN INCHES, TOLERANCES ARE:

.X .XX .XXX ANGLES
±.1 ±.03 ±.010 ±2°

DO NOT SCALE DRAWING

FREEMAN
MARINE EQUIPMENT INC.

CONFIDENTIAL PROPERTY OF FREEMAN MARINE EQUIPMENT, INC. UNAUTHORIZED USE, COPYING OR DISTRIBUTION IS STRICTLY PROHIBITED. POSSESSION OF THIS DOCUMENT AGREES TO THE FOREGOING AND SHALL RETURN THIS DOCUMENT UPON REQUEST.

DRAWN: CEN-TEX DATE: 10-31-02

CHECKED: DATE:

ENGR: DATE:

DESIGN ACTIVITY: DATE:

CONTRACT NO.: CONTRACT

28336 HUNTER CREEK ROAD
GOLD BEACH, OR 97444 U.S.A.
PHONE: 541-247-7078 FAX: 541-247-2114

TITLE:
**QUICK ACTING
WATER TIGHT DOOR**

SIZE: **D** CAGE CODE: **CAGE** DRAWING NUMBER: **104S** REV. **-**

SCALE: SCALE CALC. WT. WEIGHT ACT. WT. WEIGHT SHEET: SHEET

CAD FILENAME: FILENAME