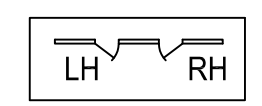
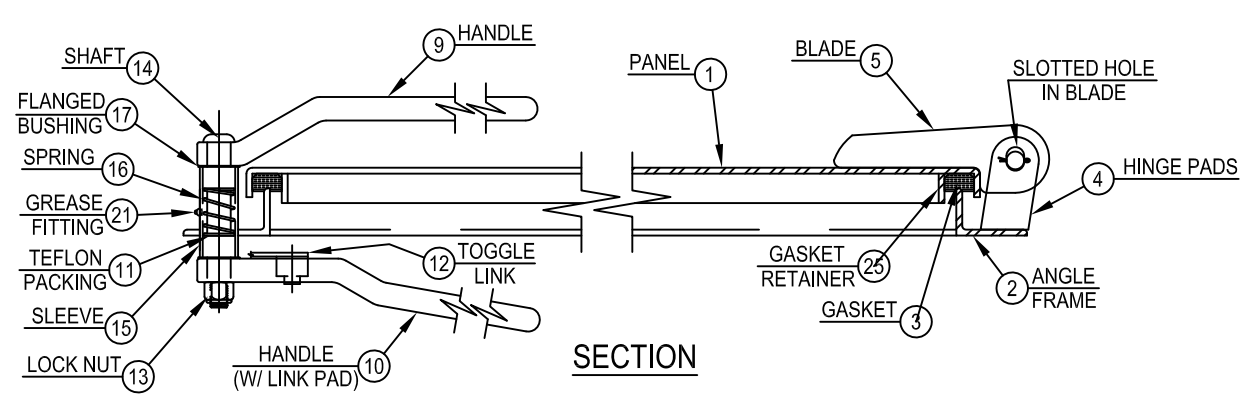
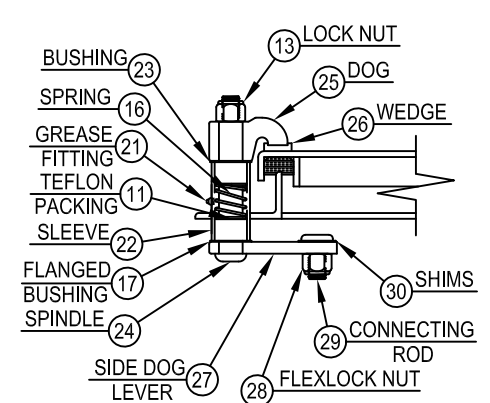
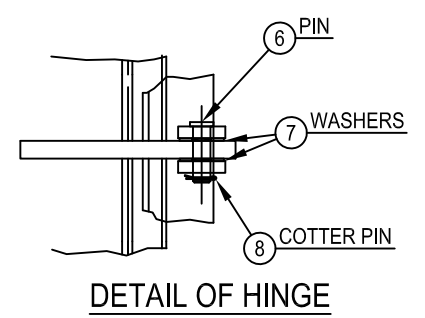
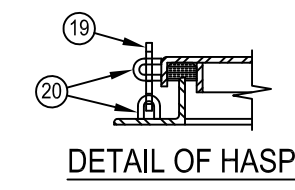
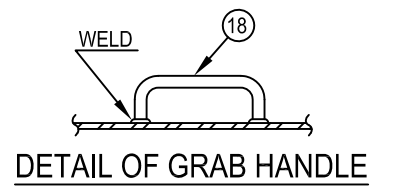
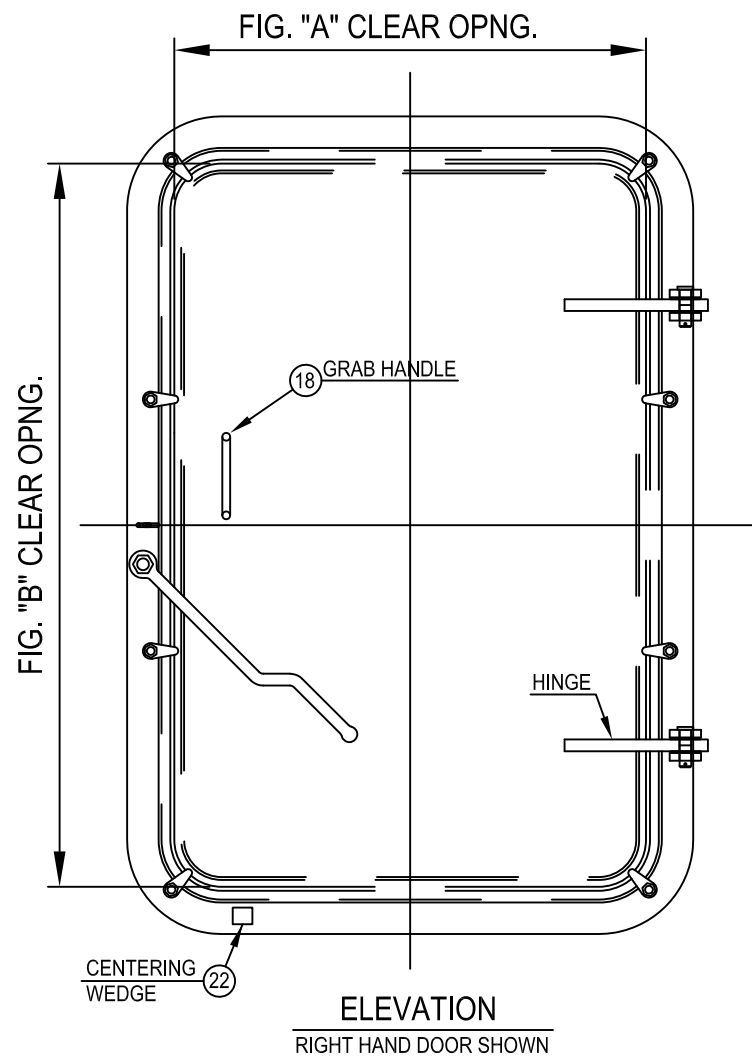


D

C

B

A



SCHEDULE OF MATERIALS		
PC.	MATERIAL	REMARKS
1	MILD STEEL	
2	MILD STEEL	
3	NEOPRENE	
4	MILD STEEL	
5	MILD STEEL	
6	BRASS	
7	STAINLESS	
8	STAINLESS	
9	FORGED STEEL	
10	FORGED STEEL	
11	TEFLON	
12	MILD STEEL	
13	PLATED STEEL	
14	COLD FINISH	
15	MILD STEEL	
16	STAINLESS	
17	OILITE BRONZE	
18	MILD STEEL	
19	MILD STEEL	
20	MILD STEEL	
21	PLATED STEEL	
22	MILD STEEL	
23	OILITE BRONZE	
24	COLD FINISH	
25	FORGED STEEL	
26	STAINLESS	
27	MILD STEEL	
28	PLATED STEEL	
29	MILD STEEL	
30	STAINLESS	

SPECIFICATIONS SUBJECT TO CHANGE WITHOUT NOTICE.

FREEMAN MARINE EQUIPMENT INC.

28336 HUNTER CREEK ROAD
GOLD BEACH, OR 97444 U.S.A.
PHONE: 541-247-7078 FAX: 541-247-2114

PROJECTION:

UNLESS OTHERWISE SPECIFIED DIMENSIONS ARE IN INCHES, TOLERANCES ARE:
.X .XX .XXX ANGLES
±.1 ±.03 ±.010 ±2'

DO NOT SCALE DRAWING

CONFIDENTIAL PROPERTY OF FREEMAN MARINE EQUIPMENT, INC. UNAUTHORIZED USE, COPIING OR DISTRIBUTION IS STRICTLY PROHIBITED. PERMISSION OF THIS DOCUMENT APPLIES TO THE ORIGINAL AND SHALL RETURN THIS DOCUMENT UPON REQUEST.

© ALL RIGHTS RESERVED 1989

DRAWN: CEN-TEX DATE: 10-31-02
CHECKED: DATE:
ENGR: DATE:
DESIGN ACTIVITY: DATE:
CONTRACT NO.: CONTRACT

TITLE: QUICK ACTING LEVER TYPE DOOR

SIZE: D CAGE CODE: DRAWING NUMBER: 109S REV.:

SCALE: SCALE CALC. WT. WEIGHT ACT. WT. WEIGHT SHEET: SHEET

CAD FILENAME: FILENAME