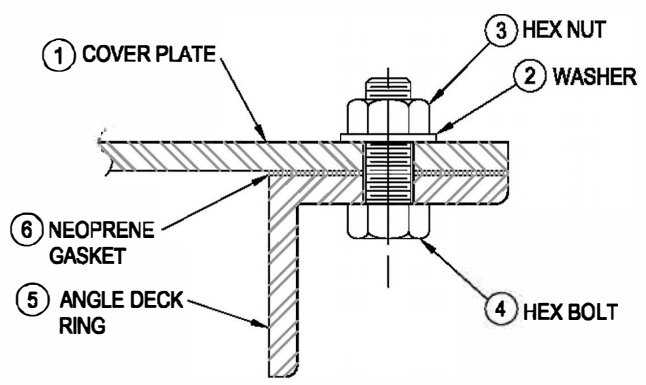
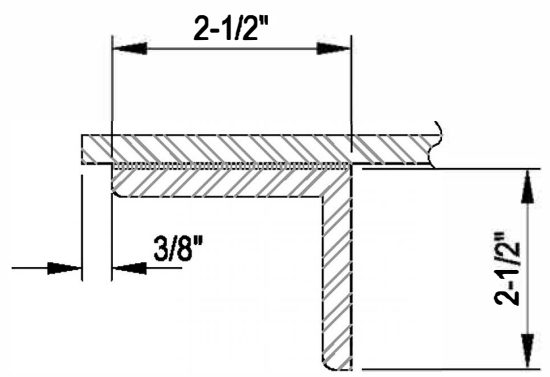


SCHEDULE OF MATERIALS		
PC.	MATERIAL	REMARKS
1	STEEL	
2	STEEL PLATED	
3	STEEL PLATED	
4	STEEL PLATED	
5	STEEL	
6	NEOPRENE	

DIMENSION SCHEDULE				
CLEAR OPENING	A	B	C	D
15" X 23"	15"	23"	20"	28-3/4"
16" X 23"	16"	23"	21"	28-3/4"
18" X 24"	18"	24"	23"	29-3/4"



FREEMAN MARINE EQUIPMENT
 GOLD BEACH OREGON USA
 RAISED BOLTED PLATE MANHOLE
 DWG. NO.: 302-MS