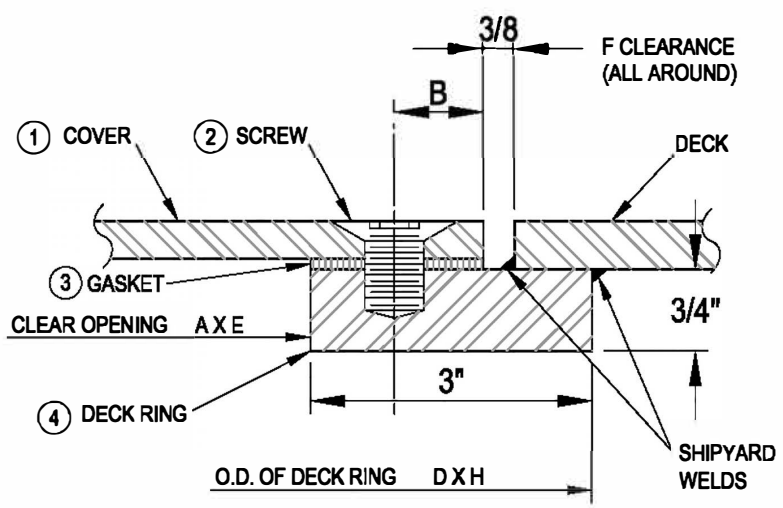


SCHEDULE OF MATERIALS		
PC.	MATERIAL	REMARKS
1	STEEL	
2	STAINLESS	
3	NEOPRENE	
4	STEEL	

DIMENSION SCHEDULE												
CLEAR OPENING	A	B	C	D	E	F	G	H	I	J	K	L
15" X 23"	23"	1-1/8"	27"	29"	15"	3/8"	19"	21"	8"	7-1/2"	9-1/2"	10-1/2"



FREEMAN MARINE EQUIPMENT GOLD
 BEACH OREGON USA
 FLUSH BOLTED PLATE MANHOLE
 DWG. NO.: 303-MS