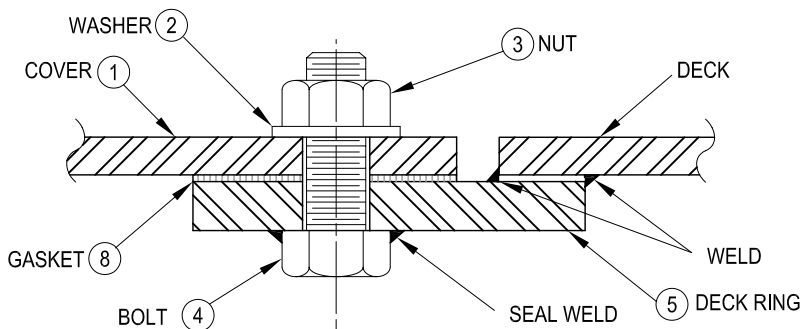
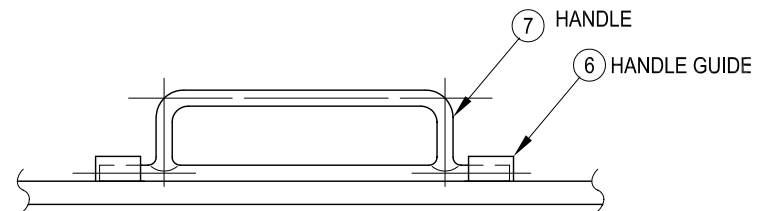


PLAN



BOLT DETAIL



HANDLE DETAIL

| SCHEDULE OF MATERIALS |          |         |
|-----------------------|----------|---------|
| PC.                   | MATERIAL | REMARKS |
| 1                     | STEEL    |         |
| 2                     | PLATED   |         |
| 3                     | PLATED   |         |
| 4                     | STEEL    |         |
| 5                     | STEEL    |         |
| 6                     | STEEL    |         |
| 7                     | STEEL    |         |
| 8                     | NEOPRENE |         |

| DIMENSION SCHEDULE |     |         |     |     |
|--------------------|-----|---------|-----|-----|
| CLEAR OPENING      | A   | B       | C   | D   |
| 18"                | 18" | 19-3/4" | 22" | 24" |
| 20"                | 20" | 21-3/4" | 24" | 26" |
| 22"                | 22" | 23-3/4" | 26" | 28" |
| 24"                | 24" | 25-3/4" | 28" | 30" |
| 26"                | 26" | 27-3/4" | 30" | 32" |

|                                 |
|---------------------------------|
| <b>FREEMAN MARINE EQUIPMENT</b> |
| Gold Beach, Oregon              |
| <b>WATERTIGHT MANHOLE COVER</b> |
| DWG. NO.: 306-MS                |