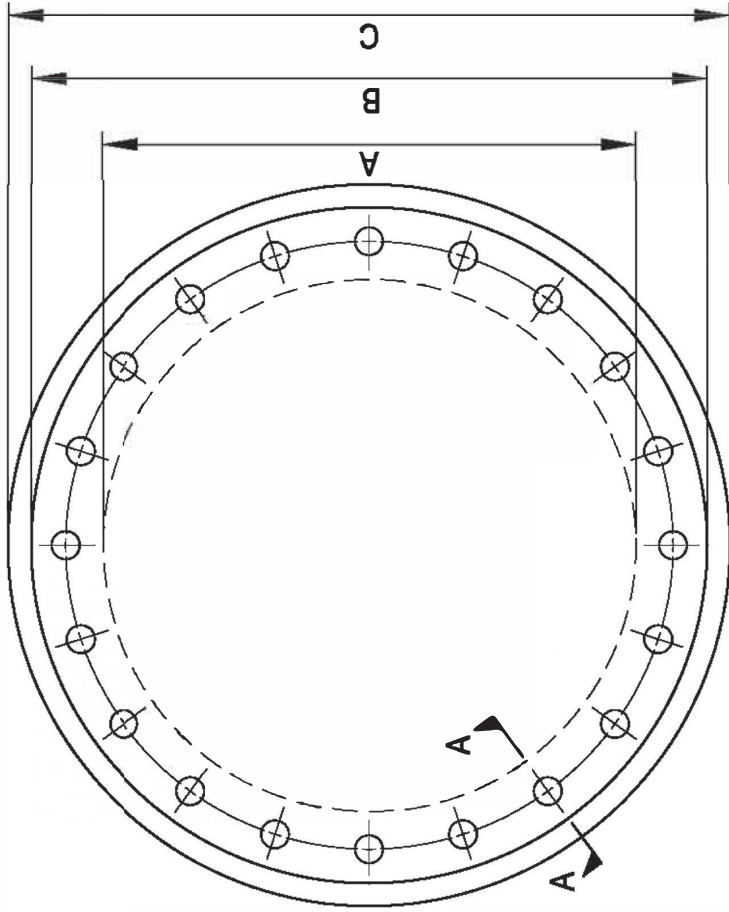


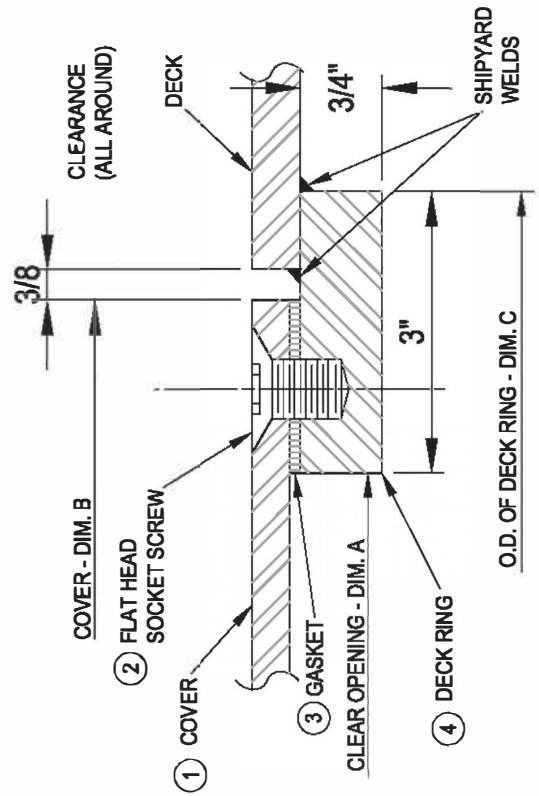
**SCHEDULE OF MATERIALS**

PC.	MATERIAL	REMARKS
1	STEEL	
2	STAINLESS	
3	NEOPRENE	
4	STEEL	

DIMENSION SCHEDULE			
CLEAR OPENING	A	B	C
18"	18"	22"	24"
20"	20"	24"	26"
22"	22"	26"	28"
24"	24"	28"	30"



**PLAN**



**SECTION A-A**

FREEMAN MARINE EQUIPEMENT GOLD  
 BEACH OREGON USA  
 FLUSH BOLTED PLATE MANHOLE  
 DWG. NO.: 310-MS