

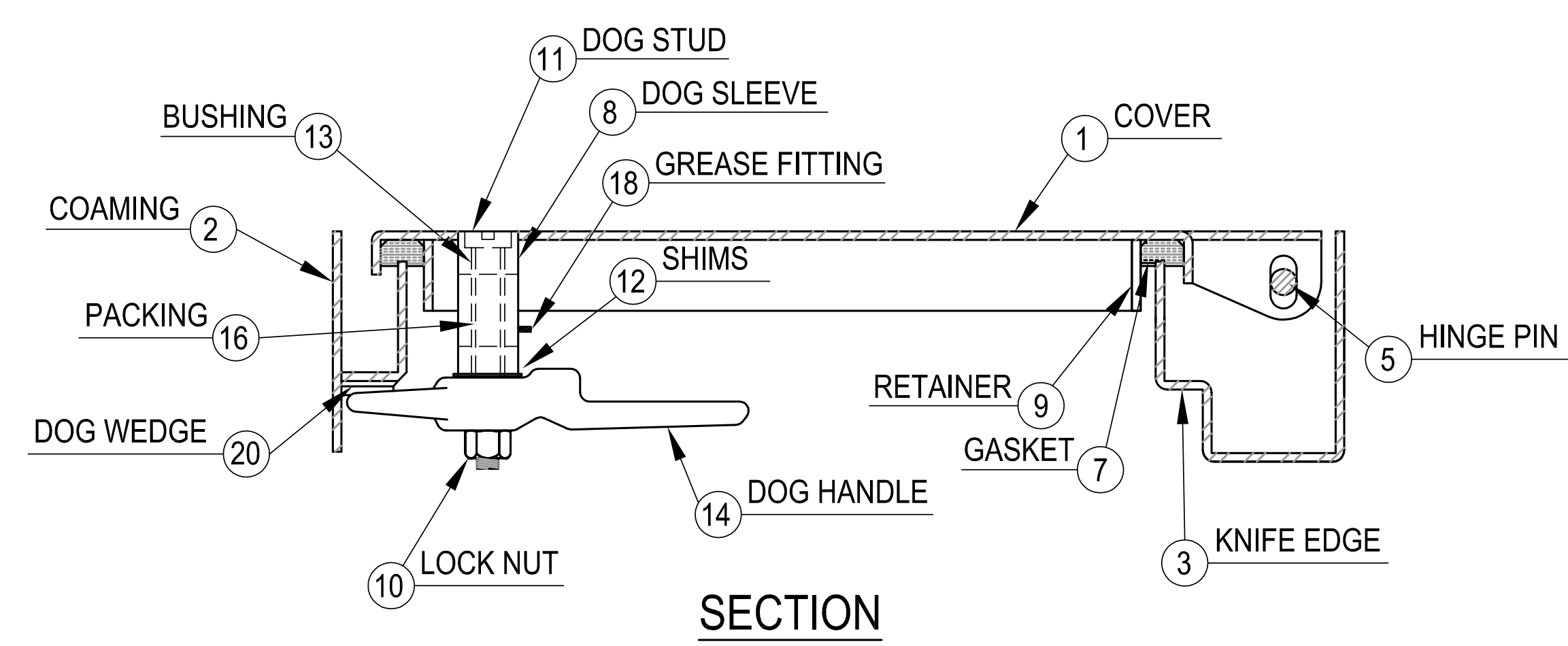
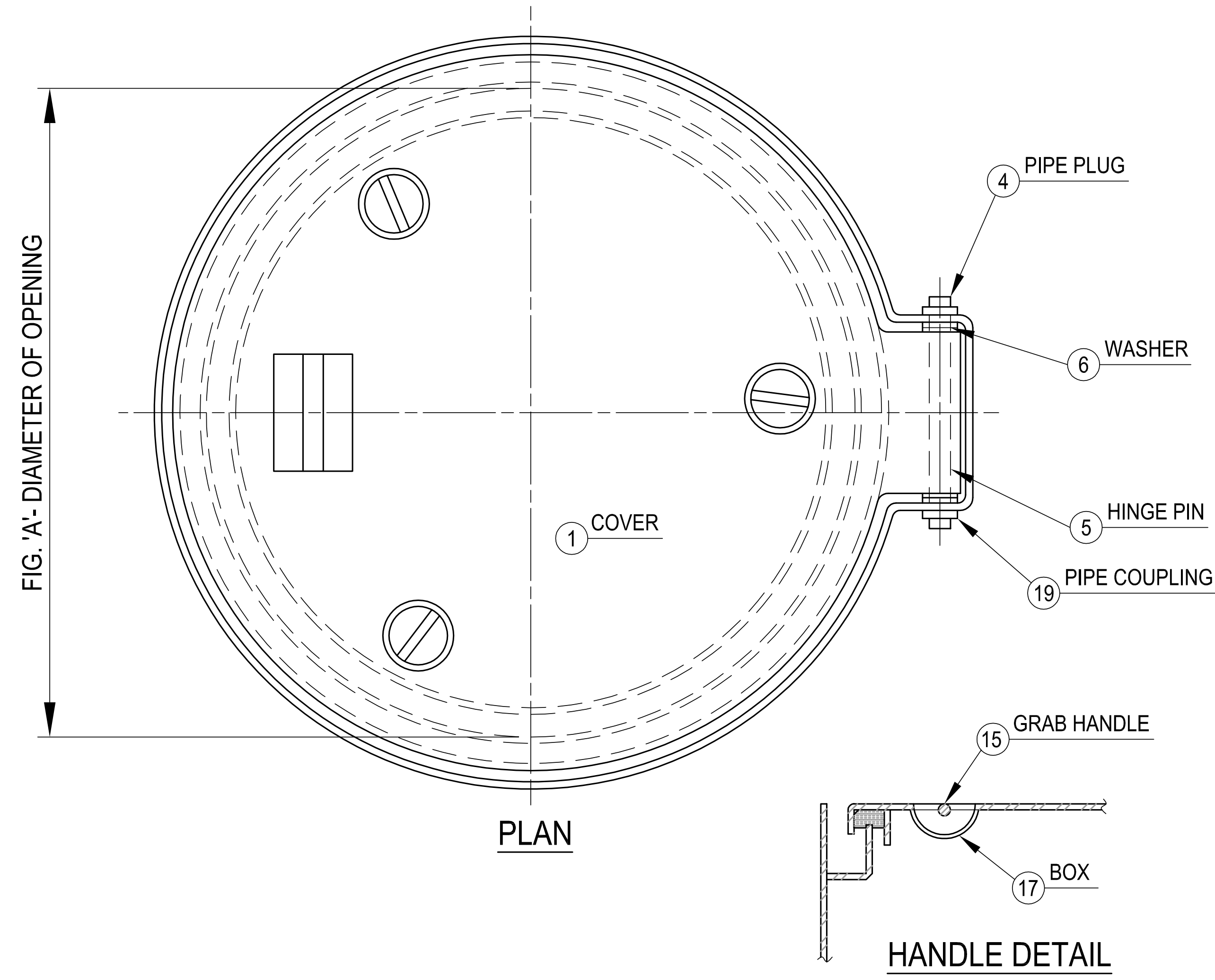
8 7 6 5 4 3 2 1

D

C

B

A



SCHEDULE OF MATERIALS		
PC.	MATERIAL	REMARKS
1	MILD STEEL	
2	MILD STEEL	
3	MILD STEEL	
4	MILD STEEL	
5	COLD FINISH	
6	STAINLESS	
7	NEOPRENE	
8	MILD STEEL	
9	MILD STEEL	
10	PLATED STEEL	
11	BRASS	
12	STAINLESS	
13	DELFIN	
14	MANGANESE BRONZE	
15	MILD STEEL	
16	TEFLON	
17	MILD STEEL	
18	PLATED STEEL	
19	MILD STEEL	
20	FORGED STEEL	

NOTES: UNLESS OTHERWISE SPECIFIED.

CUSTOMER APPROVAL  
 Signature: \_\_\_\_\_  
 Date: \_\_\_\_\_  
 IMPORTANT! THIS DRAWING SUPERSEDES ALL OTHER DOCUMENTS. By signing this approval you accept and agree that the dimensions and details shown are correct and properly fit your application, regardless of any differences between this drawing and any contract specifications. Should you see any errors in the drawing, or have any questions, please contact your Freeman Marine sales engineer for clarification.

SPECIFICATIONS SUBJECT TO CHANGE WITHOUT NOTICE.	
PROJECTION	
UNLESS OTHERWISE SPECIFIED DIMENSIONS ARE IN INCHES, TOLERANCES FOR ROUGH AND CLEAR OPENING ± .125 INCH. ALL OTHERS ARE:	
.X	.XX .XXX ANGLES
±.1	±.03 ±.010 ±2°
DO NOT SCALE DRAWING	
00	PRODUCTION RELEASE
2/27/20	ZC
REV.	DESCRIPTION
DATE	DRAWN

**FREEMAN MARINE EQUIPMENT, INC.**  
 28336 HUNTER CREEK ROAD  
 GOLD BEACH, OR 97444 U.S.A.  
 PHONE: 541-247-7078 FAX: 541-247-2114  
 www.freemanmarine.com

CONFIDENTIAL PROPERTY OF FREEMAN MARINE EQUIPMENT, INC. UNAUTHORIZED USE, REPRODUCTION OR DISTRIBUTION IS STRICTLY PROHIBITED. ALL COPIES REMAIN THE PROPERTY OF FREEMAN MARINE EQUIPMENT, INC. AND MUST BE RETURNED UPON REQUEST.

CLIENT: **FREEMAN MARINE**

TITLE: **WATERTIGHT SCUTTLE FLUSH**

SIZE: **D** CAGE CODE: **64747** DRAWING NUMBER: **407-MS** REV. **00**

SCALE: 1:5.5 CALC. WT. ACT. WT. SHEET 1 OF 1