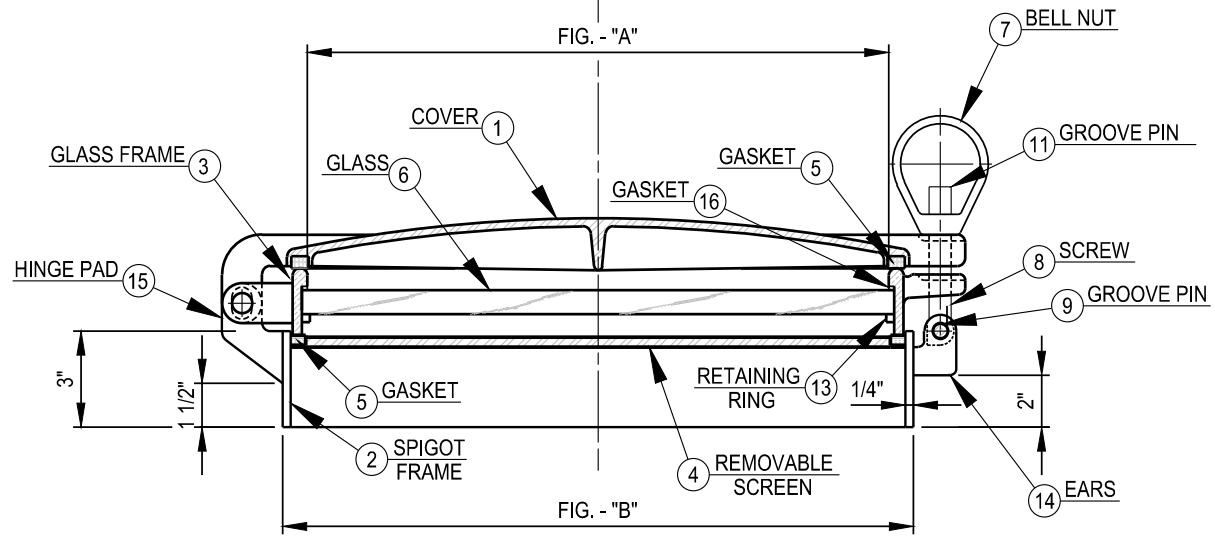


PLAN



SECTION

SCHEDULE OF MATERIALS		
PC.	MATERIAL	REMARKS
1	ALUMINUM	
2	STEEL	
3	BRASS	
4	BRASS	
5	NEOPRENE	
6	GLASS	
7	BRASS	
8	BRASS	
9	STAINLESS	
10	BRASS	
11	STAINLESS	
12	STAINLESS	
13	BRASS	
14	MILD STEEL	
15	MILD STEEL	
16	NEOPRENE	

DIMENSION SCHEDULE							
SIZE:	8	10	12	14	16	18	
DIMS:	A	8	10	12	14	16	18
	B	9-5/8	11-5/8	13-5/8	15-5/8	17-5/8	19-5/8

**ADVANTEC MANUFACTURING USA**  
**Gold Beach, Oregon, USA**  
**BRASS PORTLIGHT - WELD IN**  
 DWG. NO.: 700-B