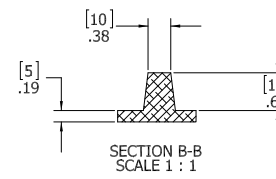


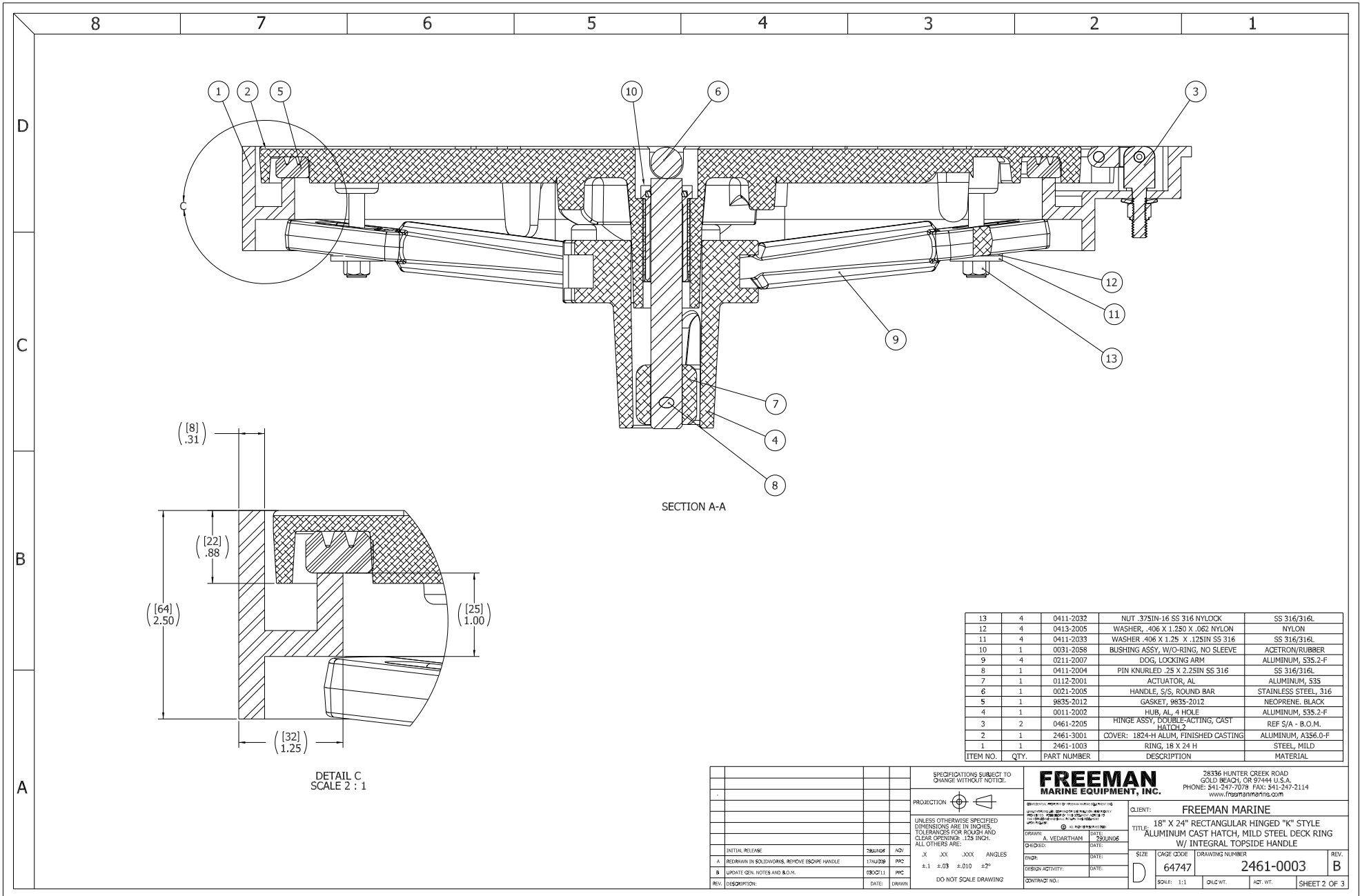
10. FOR SPECIFIC INFORMATION CONTACT SALES.
9. COMPLETE ASSEMBLY WEIGHT W/ DECK RING, 59.6LBS/ 27.0K.
8. DOGGING PRESSURE FULLY ADJUSTABLE.
7. HANDLE POSITION TOPSIDE INDICATES WHETHER DOGGING MECHANISM IS IN OPEN OR CLOSED POSITION.
6. ALUMINUM ALLOY MECHANISM SHOWN.
5. FLUSH, WATERTIGHT CONSTRUCTION.
4. INTEGRAL TOPSIDE "T" HANDLE STANDARD, OTHER TOPSIDE ACTUATION AVAILABLE.
3. MILD STEEL COATING FOR DECK WELD IN APPLICATION.
2. QUICK-ACTING, MECHANISM ENGAGES OR DISENGAGES IN QUARTER-TURN OF CENTER SPINDLE.
1. 18" X 24" CLEAR OPENING, ALL DIMENSIONS SHOWN SUBJECT TO CASTING VARIATION AND ARE REFERENCE ONLY.

NOTES: UNLESS OTHERWISE SPECIFIED.



A

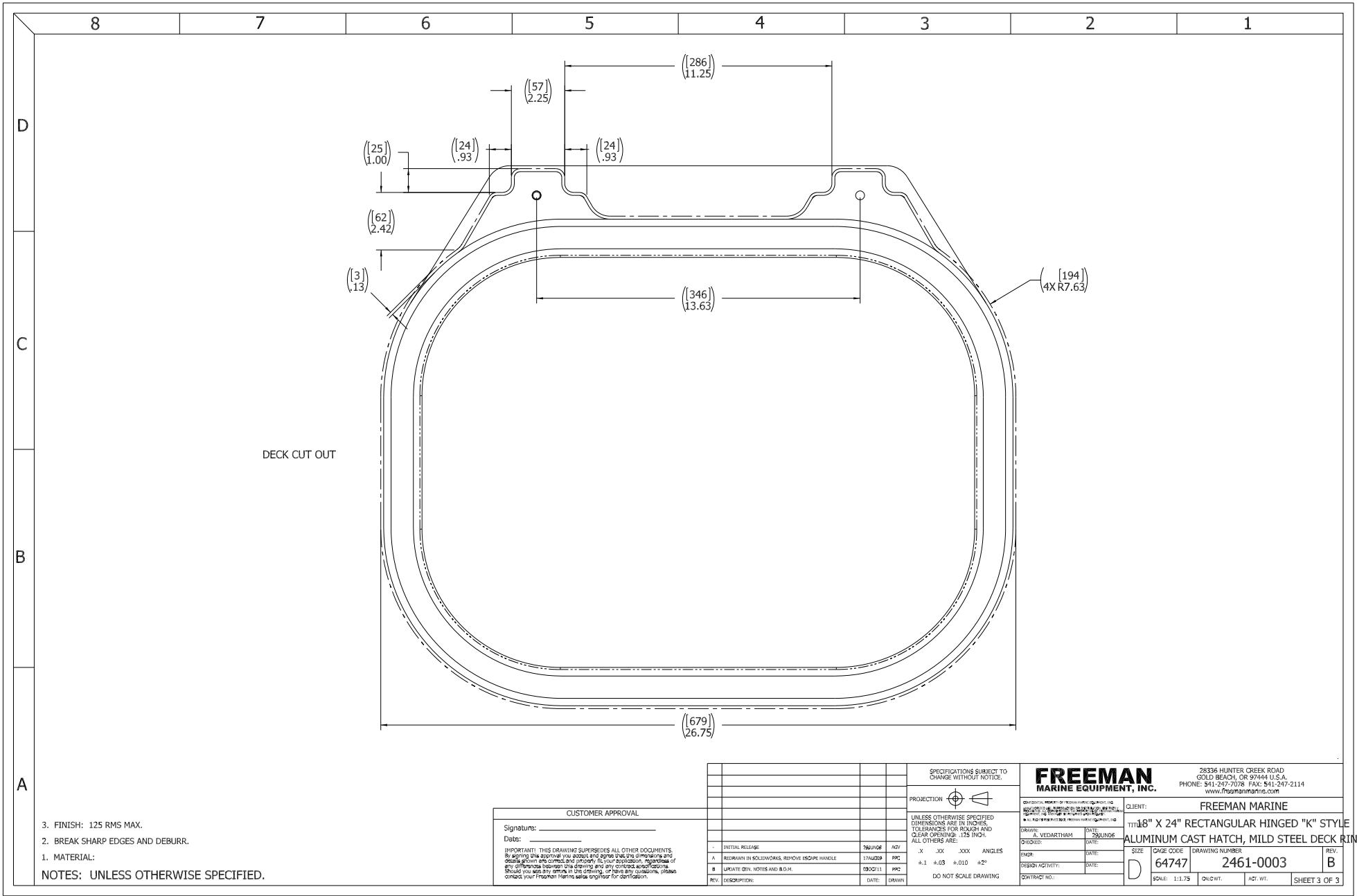
SPECIFICATIONS SUBJECT TO CHANGE WITHOUT NOTICE.				<b>FREEMAN MARINE EQUIPMENT, INC.</b> 28336 HUNTER CREEK ROAD GOLD BEACH, OR 97444 U.S.A. PHONE: 541-247-7078 FAX: 541-247-2114 www.freemarinmarine.com			
UNLESS OTHERWISE SPECIFIED DIMENSIONS ARE IN INCHES. TOLERANCES FOR ROUGH AND CLEAR OPENING: .125 INCH. ALL OTHERS ARE:						CLIENT: <b>FREEMAN MARINE</b> TITLE: <b>18" X 24" RECTANGULAR HINGED "K" STYLE ALUMINUM CAST HATCH, MILD STEEL DECK RING W/ INTEGRAL TOPSIDE HANDLE</b>	
INITIAL RELEASE	28JUN08 ADZ	DESIGNED BY: A. VEDAKTHAM	DATE: 28JUN08	SIZE: D	CAGE CODE: 64747	DRAWING NUMBER: 2461-0003	REV: B
1. REDRAWN IN SOLIDWORKS, REMOVE ESCAPE HANDLE	17AUG09 PKC	CHKD BY: A. VEDAKTHAM	DATE: 17AUG09	SCALE: 1:3	QNC WT.	ACT. WT.	SHEET 1 OF 3
2. UPDATE GEN. NOTES AND B.O.M.	28OCT11 PKC	DESIGN ACTIVITY:	DATE:				
REV. DESCRIPTION:	DATE:	DRAWN:	DATE:				



ITEM NO.	QTY.	PART NUMBER	DESCRIPTION	MATERIAL
13	4	0411-2032	NUT .375IN-16 SS 316 NYLOCK	SS 316/316L
12	4	0413-2005	WASHER, .406 X 1.250 X .062 NYLON	NYLON
11	4	0411-2033	WASHER, .406 X 1.25 X .125IN SS 316	SS 316/316L
10	1	0031-2058	BUSHING ASSY. W/O-RING, NO SLEEVE	ACETRON/RUBBER
9	4	0211-2007	DOG, LOCKING ARM	ALUMINUM, 535.2-F
8	1	0411-2004	PIN KNURLED, .25 X 2.25IN SS 316	SS 316/316L
7	1	0112-2001	ACTUATOR, AL	ALUMINUM, 535
6	1	0021-2005	HANDLE, S/S, ROUND BAR	STAINLESS STEEL, 316
5	1	9835-2012	GASKET, 9835-2012	NEOPRENE, BLACK
4	1	0011-2002	HUB, AL, 4 HOLE	ALUMINUM, 535.2-F
3	2	0461-2205	HINGE ASSY, DOUBLE-ACTING, CAST HATCH 2	REF S/A - B.O.M.
2	1	2461-3001	COVER: 1824-H ALUM, FINISHED CASTING	ALUMINUM, A356.0-F
1	1	2461-1003	RING, 18 X 24 H	STEEL, MILD

DETAIL C  
SCALE 2 : 1

SPECIFICATIONS SUBJECT TO CHANGE WITHOUT NOTICE.		<b>FREEMAN MARINE EQUIPMENT, INC.</b> 28336 HUNTER CREEK ROAD GOLD BEACH, OR 97444 U.S.A. PHONE: 541-247-7078 FAX: 541-247-2114 www.freemarinemfg.com	
PROJECTION		CLIENT: <b>FREEMAN MARINE</b>	
UNLESS OTHERWISE SPECIFIED DIMENSIONS ARE IN INCHES. TOLERANCES FOR ROUGH AND CLEAR OPENING: .125 INCH. ALL OTHERS ARE:		TITLE: <b>18" X 24" RECTANGULAR HINGED "K" STYLE ALUMINUM CAST HATCH, MILD STEEL DECK RING W/ INTEGRAL TOPSIDE HANDLE</b>	
INITIAL RELEASE	28JUN08 ADZ	DRAWN: A. VEDAKTHAM	DATE: 28JUN08
A. RE-DRAWN IN SOLIDWORKS, REMOVE ESCAPE HANDLE	17AUG09 PKC	CHECKED:	DATE:
B. UPDATE GEN. NOTES AND B.O.M.	28OCT11 PKC	ENGR:	DATE:
REV. DESCRIPTION:	DATE: DRAWN	DESIGN ACTIVITY:	DATE:
		CONTRACT NO.:	
		SCALE: 1:1	CHG. WT. ACT. WT. SHEET 2 OF 3



- 3. FINISH: 125 RMS MAX.
- 2. BREAK SHARP EDGES AND DEBURR.
- 1. MATERIAL:

NOTES: UNLESS OTHERWISE SPECIFIED.

CUSTOMER APPROVAL

Signature: \_\_\_\_\_  
Date: \_\_\_\_\_

IMPORTANT! THIS DRAWING SUPERSEDES ALL OTHER DOCUMENTS. By signing this approval you accept and agree that the dimensions and details shown are correct and represent the approved requirements of this drawing to be drawn and any outside shop practices. Should you see any errors in this drawing, or have any questions, please contact your Freeman Marine sales engineer for clarification.

REV.	DESCRIPTION	DATE	DRAWN
-	INITIAL RELEASE	7/29/08	ADY
A	FREEMAN ON SOLIDWORKS, REMOVE ENDPPE HANDLE	1/14/09	PRC
B	UPDATE DIM. NOTES AND B.O.M.	12/02/11	PRC

SPECIFICATIONS SUBJECT TO CHANGE WITHOUT NOTICE.

PROJECTION

UNLESS OTHERWISE SPECIFIED DIMENSIONS ARE IN INCHES. TOLERANCES FOR ROUGH AND CLEAR OPENINGS: .125 INCH. ALL OTHERS ARE:  
X .XX .XXX ANGLES  
±.1 ±.03 ±.010 ±.2°

DO NOT SCALE DRAWING

**FREEMAN MARINE EQUIPMENT, INC.**  
28336 HUNTER CREEK ROAD  
GOLD BEACH, OR 97444 U.S.A.  
PHONE: 541-247-7078 FAX: 541-247-2114  
www.freemarinmarine.com

CLIENT: FREEMAN MARINE

DRAWN: A. VEDARTHAM DATE: 12/02/11  
CHECKED: \_\_\_\_\_ DATE: \_\_\_\_\_  
ENGR: \_\_\_\_\_ DATE: \_\_\_\_\_  
DESIGN ACTIVITY: \_\_\_\_\_ DATE: \_\_\_\_\_  
CONTRACT NO.: \_\_\_\_\_

SIZE	D	DRAWING NUMBER	2461-0003
CAGE CODE	64747	DWG. WT.	
REV.	B	SHEET 3 OF 3	

18" X 24" RECTANGULAR HINGED "K" STYLE ALUMINUM CAST HATCH, MILD STEEL DECK RING