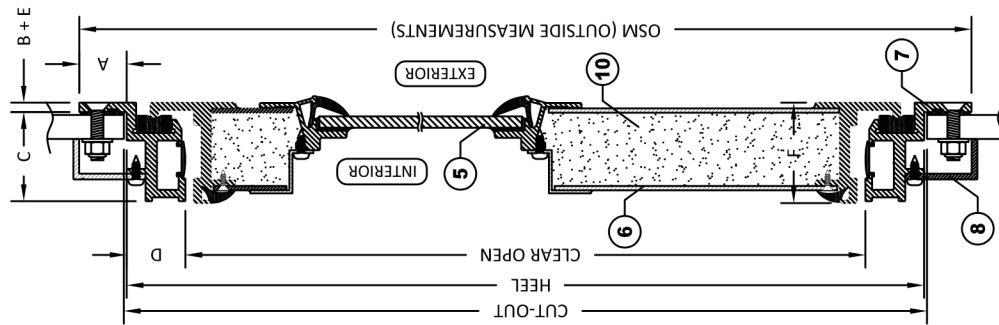


ITEMS

ID	DESCRIPTION	MATERIAL	PART NUMBER
1	MOUNTING FRAME	6063 ALUMINUM	MTEX785800
2	INSERT	6063 ALUMINUM	MTEX785801
3	GASKET	EPDM GASKET	ADV2023
4	HINGE	6063 ALUMINUM HINGE	
5	DOOR WINDOW	OPTIONAL	
6	INSERT PANEL	0.090 ALUMINUM 5052	MTAL5052.09
7	BEDDING COMPOUND		
8	TRIM RING	6063 ALUMINUM	
9	SEALANT	SILICONE	AD-S17100
10	INSULATION	1 1/2" KOROLITE	MTM4141
11	SNAP TRACK (MITRED ONLY)	RIGID PVC	ADV17390B
12	PANEL GLAZING	SANTOPRENE	ADV387A

STANDARD DIMENSIONS

ID	DESCRIPTION	DIMENSION
A	FLANGE COVERAGE	25mm (1")
B	EXTERIOR PROTRUSION	5mm (3/16")
C	INTERIOR PROTRUSION	47mm (1 7/8")
D	SPIGOT TO CLEAR VIEW	31mm (1 1/4")
E	FLANGE THICKNESS	5mm (3/16")
F	INSERT THICKNESS	53mm (2 1/16")



SECTION B-B

NOTES:

- GENERAL HEEL TOLERANCE +0/-1/4" OVERALL
- AVAILABLE WITH 4" (102mm) RADIUS OR MITERED CORNERS
- STANDARD MOUNTING HOLES ARE 3/16" WITH #18 COUNTERSUNK

DRAWING NUMBER

200

SCALE

NTS

BY

RH

DIAMOND SEA GLAZE MANUFACTURING LTD.
26995 GLOUCESTER WAY, LANGLEY B.C.
CANADA V4W 3Y3
TOLL FREE: 1-800-770-0455
PHONE: 604-607-0091
FAX: 604-607-0092

dsg
Diamond Sea Glaze

ITEM NAME

200

REVISION

3

ITEM DESCRIPTION

HINGED OPENING DOOR