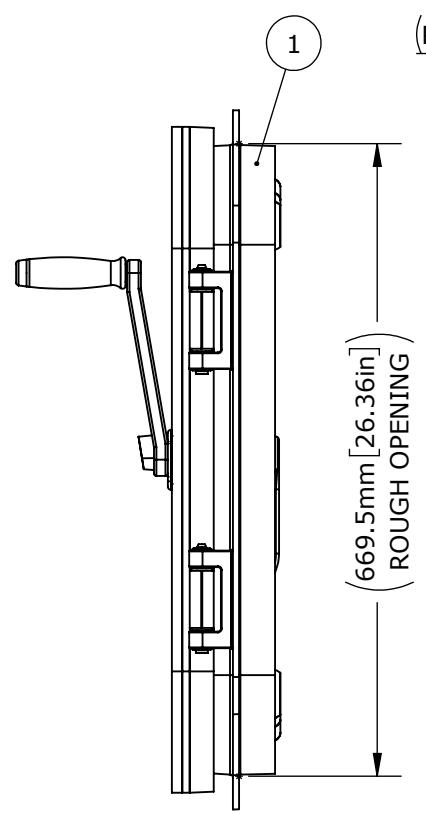
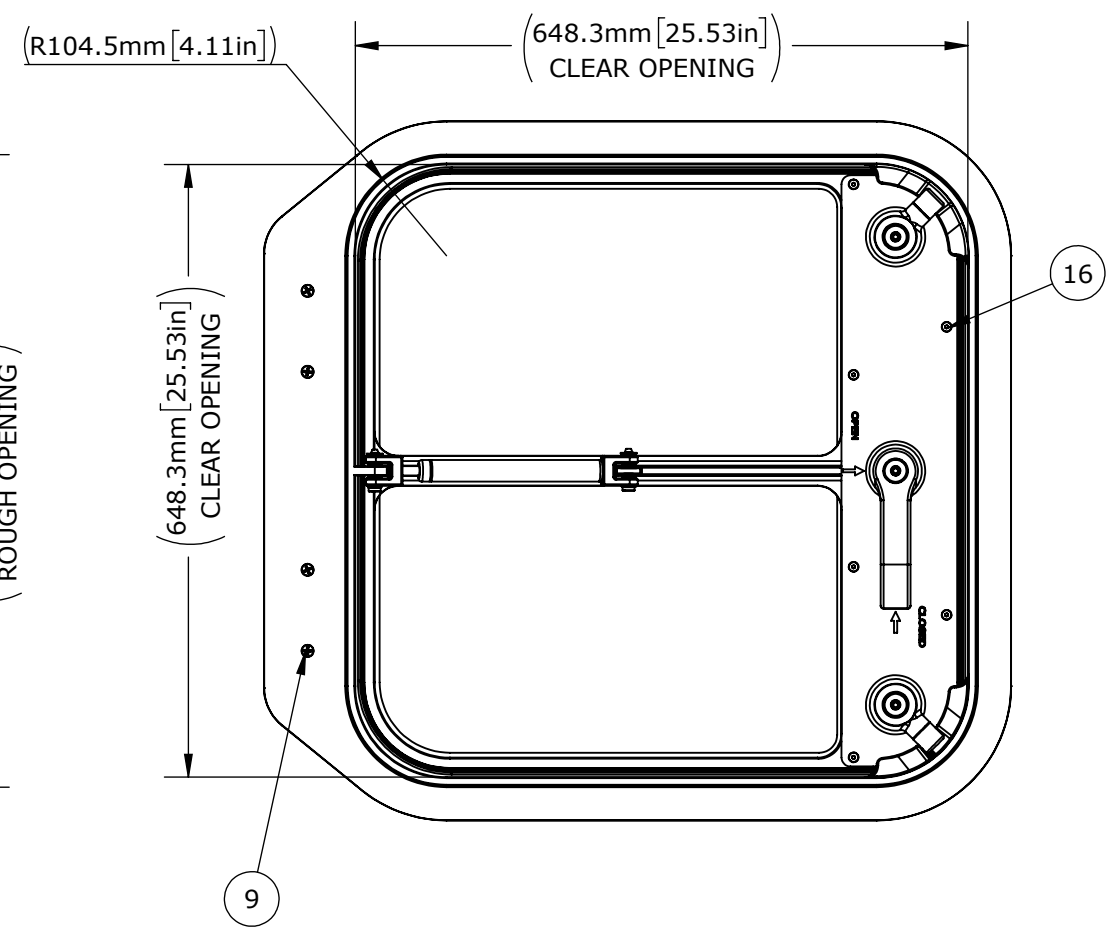


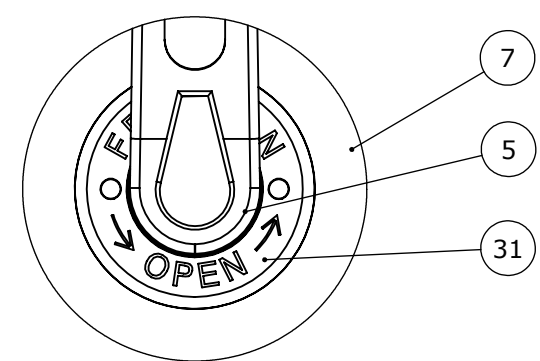
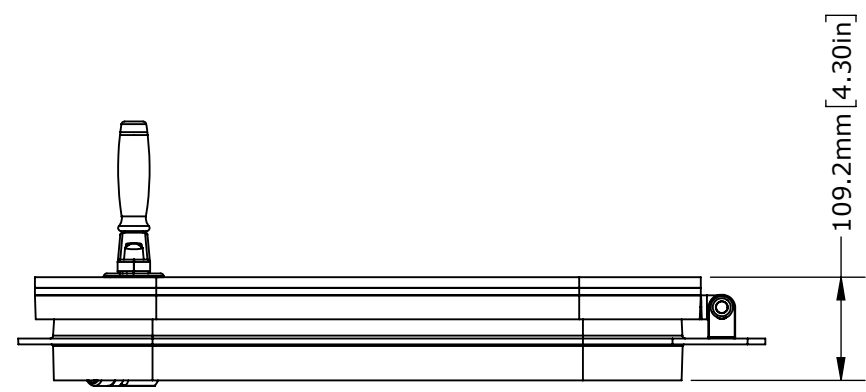
39 38 33 21 13 11 10



UPWARD OPENING  
FWD. HINGED



INTERIOR COVER



DETAIL B  
SCALE 1 : 2

**REVISIONS**

REV.	DESCRIPTION	BY	DATE
00	CUSTOMER REVIEW	MS	08/11/2020

**GENERAL NOTES**

1. INSTALLATION: WELD-IN
2. SEALING STANDARD: VI (CHALK TEST)
3. APPROX WEIGHT: 35.25kg (77.56lb.)
4. FINISH:
  - PANEL AND COAMING: BARE, NO PAINT/PRIMER

FOR ADDITIONAL INFORMATION CONTACT YOUR SALES REPRESENTATIVE OR PROJECT MANAGER.

UNLESS OTHERWISE SPECIFIED, DIMENSIONS ARE IN MILLIMETERS. TOLERANCES FOR ROUGH AND CLEAR OPENINGS ARE ±3mm (.125"). ALL OTHERS ARE:

METRIC	X	.X	.XX	ANGLES
	±2.5	±.8	±.25	±2°
IMPERIAL	.X	.XX	.XXX	ANGLES
	±.1	±.03	±.010	±2°

BAR CODE	CAGE CODE
	64747

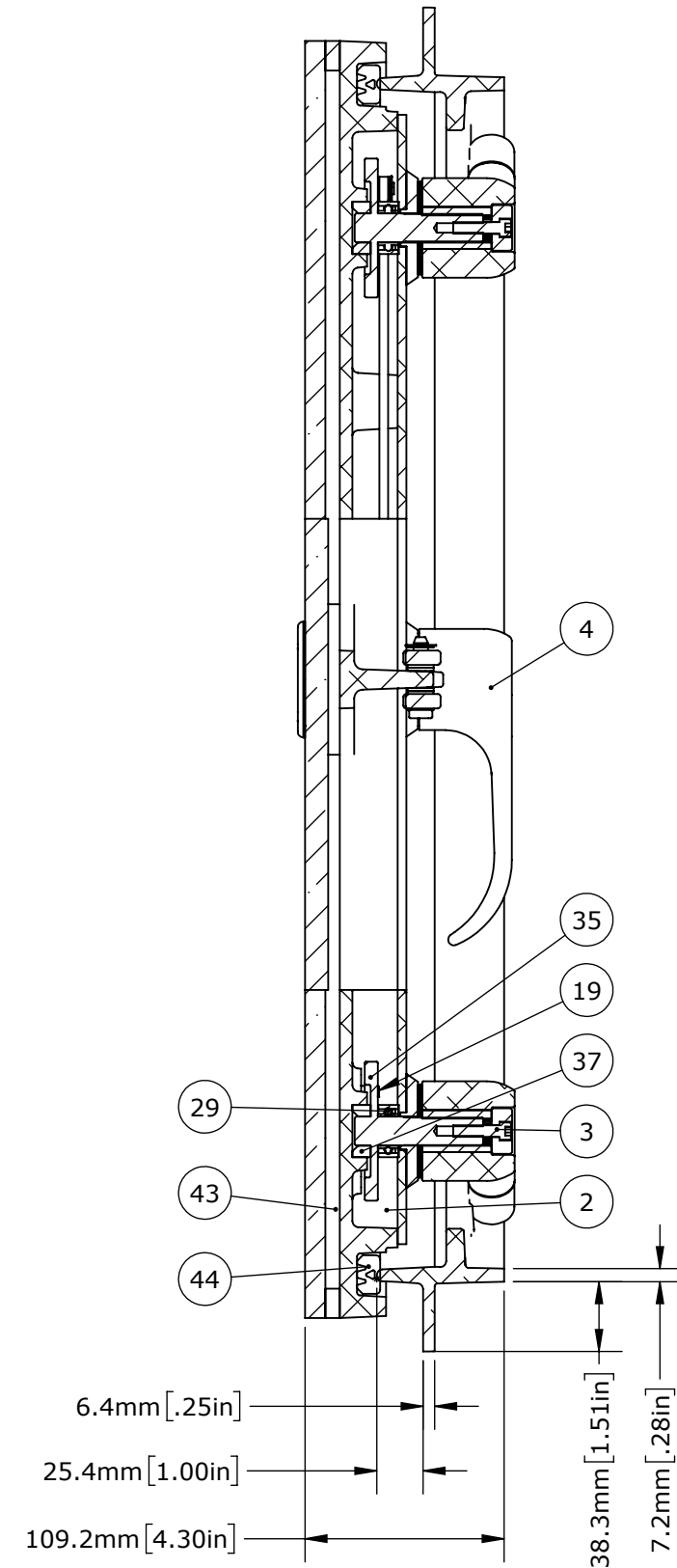


COPYRIGHT 2016 ADVANTEC GLOBAL INNOVATIONS. ALL RIGHTS RESERVED. CONFIDENTIAL PROPERTY OF ADVANTEC GLOBAL INNOVATIONS. UNAUTHORIZED USE, REPRODUCTION OR DISTRIBUTION IS STRICTLY PROHIBITED. COPIES REMAIN THE PROPERTY OF ADVANTEC GLOBAL INNOVATIONS AND MUST BE RETURNED UPON REQUEST.

CLIENT  
  
PROJECT TITLE

DWG TITLE					QTY
LENS HATCH, QA W/EXT BI-SQUARE AND WINCH HANDLE					
SCALE	DRAWN	DATE	CHECKED	DATE	SIZE
1:8	MS	2020-08-11	ZC	2020-08-12	B
S.O. NO	DWG NO			SHEET	REV
	2130-0082			1 of 3	00

ITEM	QTY	PART NUMBER	DESCRIPTION	MATERIAL
1	1	0112-2129	RBM, COAMING, LENS HATCH, QA	A356 ALUMINUM
2	1	0112-2176	RBM, FRAME, LENS HATCH, QA	AL ALMAG 535.2
3	2	0221-1009	DOG ASSY, QA LENS HATCH	REF S.A. BOM
4	1	0221-2070	HANDLE, QA LENS HATCH	6061 Alloy
5	1	0232-1007	SPINDLE, QA BI-SQUARE	REF S.A. BOM
6	1	0233-2023	BUSHING, DOG	ACETRON GP, BLACK
7	1	0322-2036	LENS, GRAY	BLANK, .5X30X30 GRY ACRYLIC 2064
8	1	0411-2015	SCREW SH A .25-20 X 1.0IN SS 316 WPL	316/316L
9	4	0411-2052	SCREW FH P .25-20 X .625IN SS 316	316/316L
10	2	0411-2057	E-RING .375IN DIA SHAFT SS PH 15-7	17-4 PH H1150
11	2	0411-2097	PIN WELD ON HINGE .370 X 4.536 IN	316/316L
12	2	0411-2248	E-RING .312IN DIA SHAFT SS	(18-8) GRADE B8 CLASS II
13	4	0411-2260	WASHER, FLAT	316/316L
14	4	0411-2302	E-RING .25IN DIA SHAFT SS 18-8	(18-8) GRADE B8 CLASS II
15	2	0411-2394	PIN,CMG,SHOCK MNT COCKPIT HATCH,1.75,POL	SS 316/316L
16	6	0411-2399	SCREW, SOCKET FHM, 10-32 X 1/2 EP	STAINLESS STEEL
17	4	0411-2487	WASHER, FLAT .328 X .562 X .032IN	SS 316/316L
18	1	0411-2579	WASHER SHIM .625 X 2 X .030 IN SS 316	316/316L
19	1	0411-2736	PIN, KNURLED, 1/4 X 1/2 X 316S/S	SS 316/316L
20	8	0413-2001	WASHER, .260 X .500 X .031	NYLON TYPE 6
21	4	0413-2015	WASHER, .375 X .932 X .031	NYLON TYPE 6
22	1	0423-2022	GAS SPRING, 10/23 - 150	REF S.A. BOM
23	2	0423-2355	RBM CLEVIS, GAS SPRING, M8, QA LENS HATCH	SS 316/316L
24	2	0431-2194	RBM ROD, CONNECTING, QA LENS HATCH	AISI 304
25	1	0435-2012	HANDLE, WINCH: HAR B8AL 8 LOCK-IN ALUM	VARIES
26	1	0441-2045	O-RING, 1.063 IDX1.377 ODX.157 WD	RUBBER
27	4	0441-2056	BEARING, FLANGED, 5/16 X 7/16 X 1/4	PE High Density
28	1	0441-2083	BUSHING, BI-SQUARE, SPLIT	ACETAL BK
29	3	0441-2100	BEARING, .625 ID X 1.125 OD X .430 WD	AISI 304
30	1	0441-2114	INSERT, SPLINED HEX, 1.5 OAL	ACETAL WH
31	1	0441-2188	NUT, Q.A. ADJ. BI-SQUARE, FREEMAN, CCW	SS 316/316L
32	1	0441-2212	SLEEVE, Q.A. ADJ. BI-SQUARE, 1" FINISH TEAK	ACETRON GP
33	4	0441-2324	BEARING, FLANGED	POM Acetal Copolymer
34	4	0441-2328	BEARING, FLANGED, 5/16 X 7/16 X 3/16	VARIOUS
35	2	0443-1008	RBM SHAFT ASSY, DOG, QA LENS HATCH	REF S.A. BOM
36	1	0443-2005	WASHER, ROLLER DOG	SS 316LD
37	2	0443-2034	BUSHING	PTFE (general)
38	4	0462-2528	RBM BUSHING, HINGE QA LENS HATCH	PTFE (general)
39	2	0462-2529	RBM BRACKET, HINGE, QA LENS HATCH	6061 Alloy
40	1	0612-2120	COVER PLATE	5052-H32
41	2	0732-2005	RBM GASKET, HINGE, QA LENS HATCH, NEOPRENE	Rubber
42	1	0792-2005	ISOLATOR	NEBAR
43	1	0921-2045	SIKAFLEX, BLACK 295 UV 10.5 OZ	Rubber
44	1	9815-2002	GASKET	Rubber



SECTION A-A

**REVISIONS**

SEE PAGE 1 FOR ALL REVISIONS

**GENERAL NOTES**

1. SEE PAGE 1.

UNLESS OTHERWISE SPECIFIED, DIMENSIONS ARE IN MILLIMETERS. TOLERANCES FOR ROUGH AND CLEAR OPENINGS ARE ±3mm (.125"). ALL OTHERS ARE:

METRIC	X	.X	.XX	ANGLES
	±2.5	±.8	±.25	±2°
IMPERIAL	.X	.XX	.XXX	ANGLES
	±.1	±.03	±.010	±2°

BAR CODE	CAGE CODE
	64747

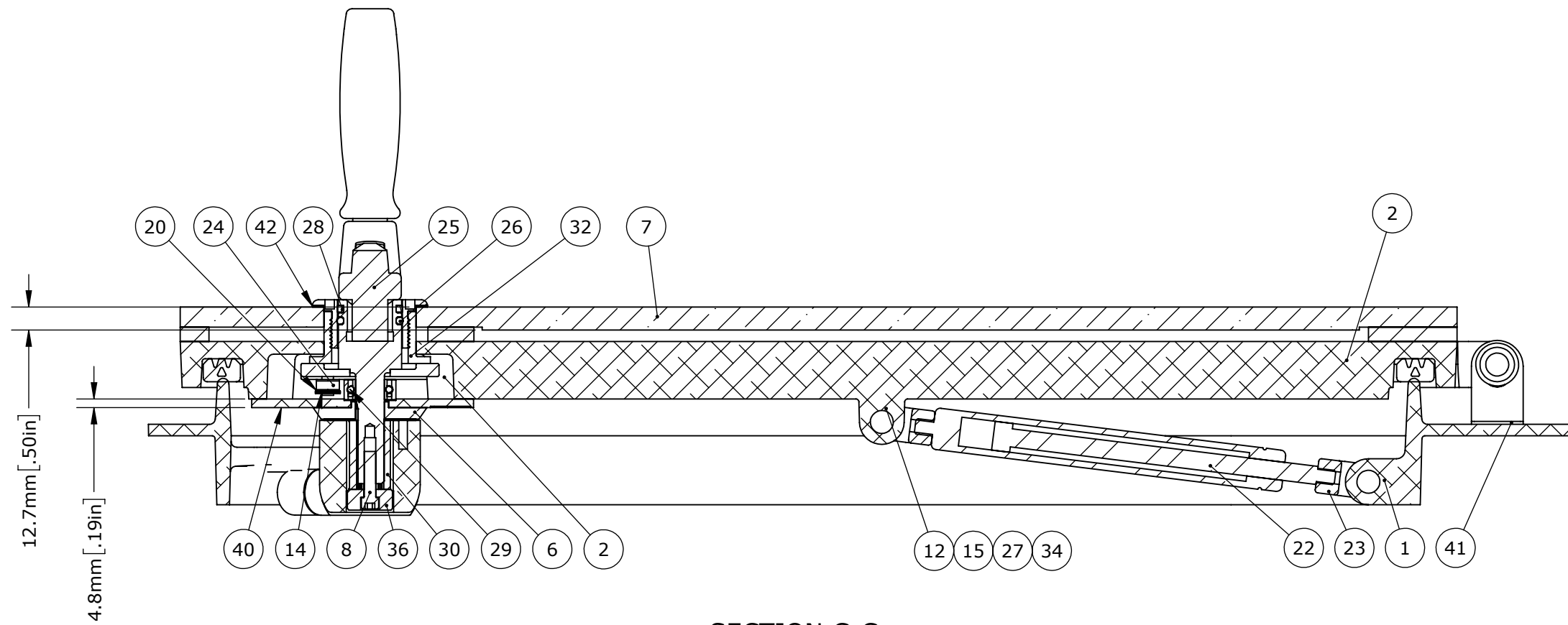


COPYRIGHT 2016 ADVANTEC GLOBAL INNOVATIONS. ALL RIGHTS RESERVED. CONFIDENTIAL PROPERTY OF ADVANTEC GLOBAL INNOVATIONS. UNAUTHORIZED USE, REPRODUCTION OR DISTRIBUTION IS STRICTLY PROHIBITED. COPIES REMAIN THE PROPERTY OF ADVANTEC GLOBAL INNOVATIONS AND MUST BE RETURNED UPON REQUEST.

CLIENT \_\_\_\_\_

PROJECT TITLE \_\_\_\_\_

DWG TITLE					QTY
LENS HATCH, QA W/EXT BI-SQUARE AND WINCH HANDLE					
SCALE	DRAWN	DATE	CHECKED	DATE	SIZE
1:4	MS	2020-08-11	ZC	2020-08-12	B
S.O. NO	DWG NO	SHEET	REV		
	2130-0082	2	00		
		of 3			



SECTION C-C

**REVISIONS**

SEE PAGE 1 FOR ALL REVISIONS

**GENERAL NOTES**

1. SEE PAGE 1.

UNLESS OTHERWISE SPECIFIED, DIMENSIONS ARE IN MILLIMETERS. TOLERANCES FOR ROUGH AND CLEAR OPENINGS ARE ±3mm (.125"). ALL OTHERS ARE:

METRIC	X ±2.5	.X ±.8	.XX ±.25	ANGLES ±2°
IMPERIAL	.X ±.1	.XX ±.03	.XXX ±.010	ANGLES ±2°

BAR CODE	CAGE CODE
	64747



COPYRIGHT 2016 ADVANTEC GLOBAL INNOVATIONS. ALL RIGHTS RESERVED. CONFIDENTIAL PROPERTY OF ADVANTEC GLOBAL INNOVATIONS. UNAUTHORIZED USE, REPRODUCTION OR DISTRIBUTION IS STRICTLY PROHIBITED. COPIES REMAIN THE PROPERTY OF ADVANTEC GLOBAL INNOVATIONS AND MUST BE RETURNED UPON REQUEST.

CLIENT

PROJECT TITLE

DWG TITLE: LENS HATCH, QA W/EXT BI-SQUARE AND WINCH HANDLE

QTY

SCALE	DRAWN	DATE	CHECKED	DATE	SIZE
1:3	MS	2020-08-11	ZC	2020-08-12	B

S.O. NO	DWG NO	SHEET	REV
	2130-0082	3 of 3	00