

- 9. FOR SPECIFIC INFORMATION CONTACT SALES.
- 8. COMPLETE ASSEMBLY WEIGHT W/ DECK RING, 70LBS
- 7. DOGGING PRESSURE FULLY ADJUSTABLE.
- 6. ALUMINUM ALLOY MECHANISM SHOWN.
- 5. FLUSH, WATERTIGHT CONSTRUCTION.
- 4. REMOVABLE INTERLOCKING TOPSIDE "T" HANDLE STANDARD.
- 3. MILD STEEL FLANGE, FLANGE CAN BE DRILLED FOR BOLTED INSTALLATIONS OR WELDED.
- 2. QUICK-ACTING, MECHANISM ENGAGES OR DISENGAGES IN QUARTER-TURN OF CENTER SPINDLE.
- 1. 24" DIAMETER CLEAR OPENING, ALL DIMENSIONS SHOWN SUBJECT TO CASTING VARIATION AND ARE REFERENCE ONLY.

NOTES: UNLESS OTHERWISE SPECIFIED.

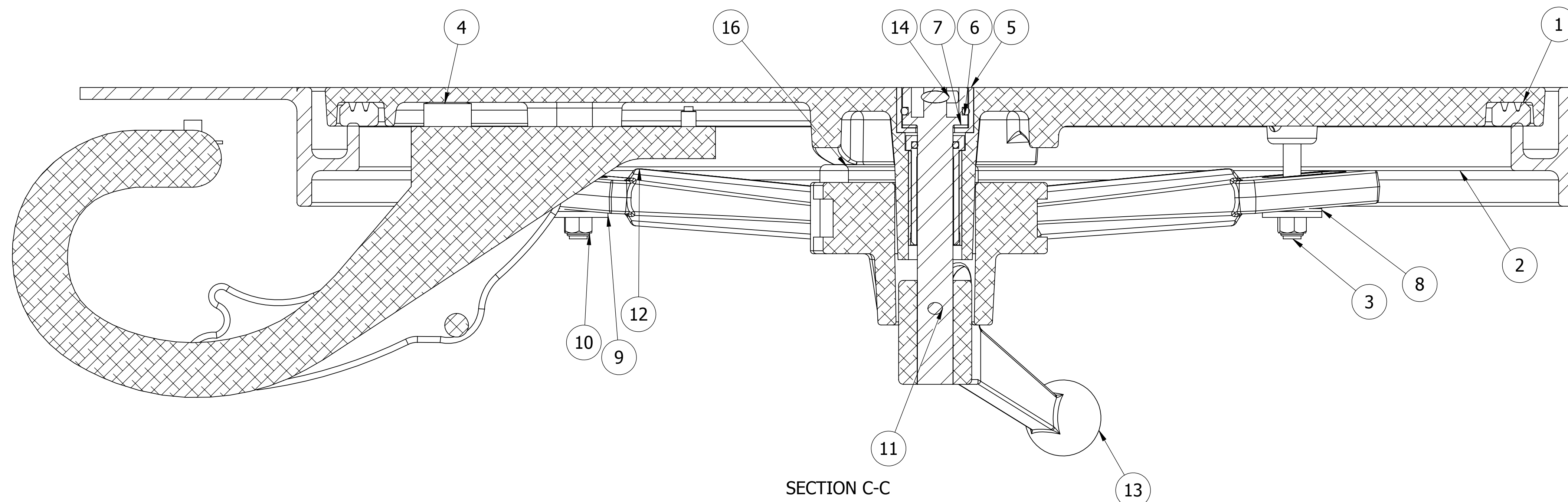
CONFIDENTIAL PROPERTY OF FREEMAN MARINE EQUIPMENT INC. UNAUTHORIZED USE, COPYING OR DISTRIBUTION IS STRICTLY PROHIBITED. POSSESSOR OF THIS DOCUMENT AGREES TO THE FOREGOING AND SHALL RETURN THIS DOCUMENT UPON REQUEST. © ALL RIGHTS RESERVED 2004		FREEMAN MARINE EQUIPMENT, INC. 28336 HUNTER CREEK ROAD GOLD BEACH, OR 97444 U.S.A. PHONE: 541-247-7078 FAX: 541-247-2114 www.freemanmarine.com	
SPECIFICATIONS SUBJECT TO CHANGE WITHOUT NOTICE.		CLIENT: FREEMAN MARINE	
PROJECTION		TITLE: HATCH: 24-H [K] ROUND, YOKE HINGE, W/ ESCAPE HANDLE	
UNLESS OTHERWISE SPECIFIED DIMENSIONS ARE IN INCHES, TOLERANCES FOR ROUGH AND CLEAR OPENING ± .125 INCH. ALL OTHERS ARE: .X .XX .XXX ANGLES ±.1 ±.03 ±.010 ±2°		SIZE CAGE CODE DRAWING NUMBER REV. D 64747 2487-0063-0001 A	
DO NOT SCALE DRAWING		SCALE: 1:3 CALC. WT. ACT. WT. SHEET 1 OF 3	
A PRODUCTION RELEASE 28MAY13 ZJC	REV. DESCRIPTION: DATE: DRAWN	DRAWN: Z. CARPENTER DATE: 28MAY13 CHECKED: D. YOES DATE: 28MAY13 ENGR: DATE: DESIGN ACTIVITY: DATE: CONTRACT NO.:	CONTRACT NO.:

D

C

B

A

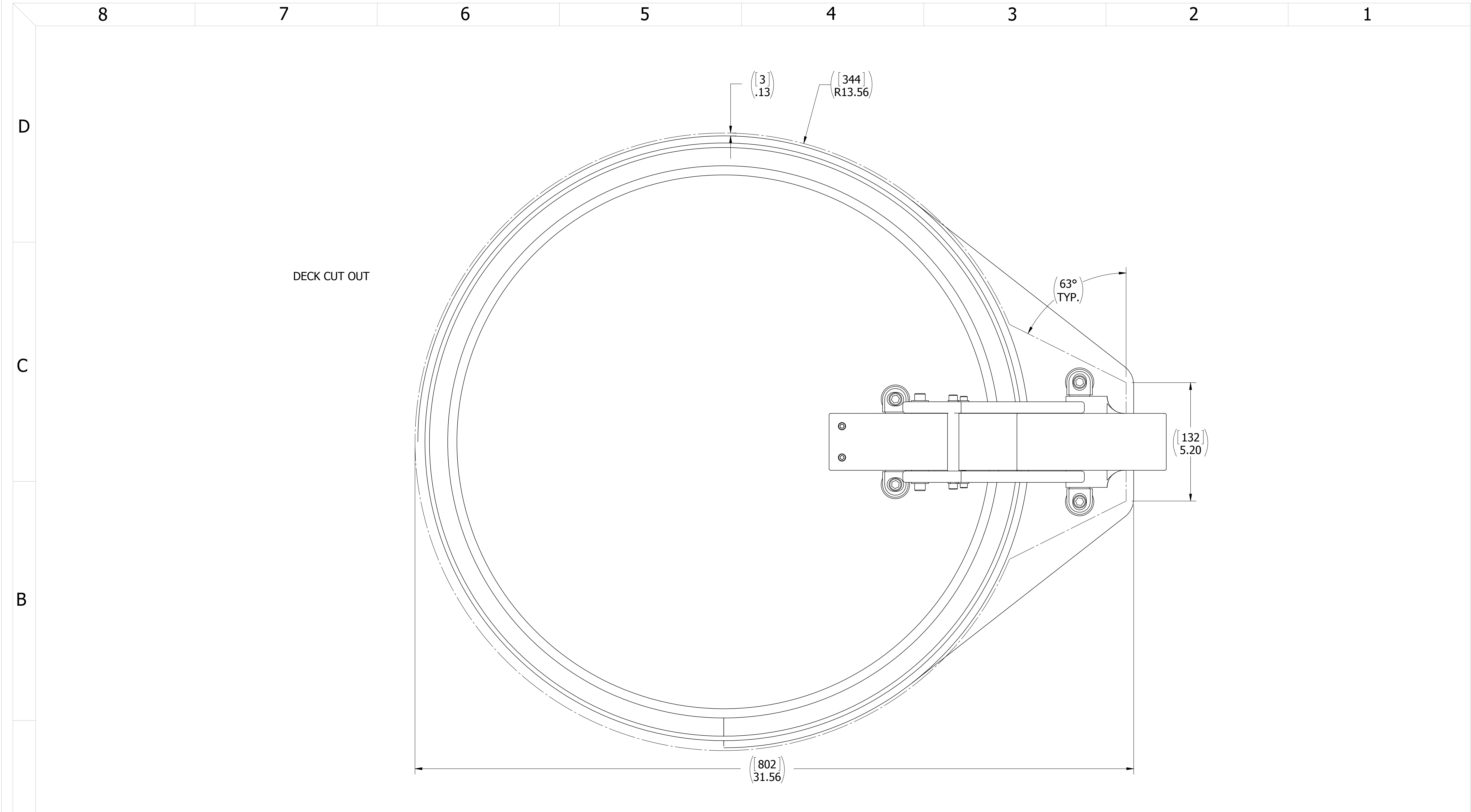


SECTION C-C

ITEM NO.	QTY.	PART NUMBER	DESCRIPTION	MATERIAL
16	1	0011-2006	HUB, 4 HOLE - SHORT	ALUMINUM, 535.2
15	1	0031-2001	BUSHING ASSY, STD HATCH, W/SLEEVE	REF. S/A - B.O.M.
14	1	0031-2107	SPINDLE, INTERLOCKING, FLUSH TO 1/4 TEAK	STAINLESS STEEL, 316L
13	1	0112-2003	ESCAPE HANDLE, AL	ALUMINUM, 535.2-F
12	4	0211-2012	DOG, LOCKING ARM 24, AL	ALUMINUM, 535.2-F
11	1	0411-2004	PIN, KNURLED, 1/4 X 2-1/4, 316 S/S	STAINLESS STEEL, 316L
10	4	0411-2032	LOCKNUT, NYLON INSERT, 3/8-16, 316 S/S	STAINLESS STEEL, 316
9	4	0411-2033	WASHER, .406 X 1.25 X .125, 316 S/S	STAINLESS STEEL, 316
8	4	0413-2005	WASHER, .406 X 1.250 X .062 NYLON	NYLON
7	1	0413-2049	WASHER, SHIM CAST HATCH BI-SQ	ACETAL, BLACK
6	1	0441-2045	O-RING, 27MM X 4MM	BUNA-N
5	1	0441-2133	CUP, INTERLOCKING SPINDLE, FLUSH TO 1/4	STAINLESS STEEL, 316L
4	1	0461-2077	HINGE ASSY, YOKE, CAST HATCH, W/HOLD OPEN	REF S/A B.O.M.
3	1	2412-3041	COVER, MODEL 24	ALUMINUM
2	1	2487-1003	RING: 24K MS, 615-9001	MS
1	1	9835-2014	GASKET	NEOPRENE

NOTES: UNLESS OTHERWISE SPECIFIED.

SPECIFICATIONS SUBJECT TO CHANGE WITHOUT NOTICE.				UNLESS OTHERWISE SPECIFIED DIMENSIONS ARE IN INCHES, TOLERANCES FOR ROUGH AND CLEAR OPENING ± .125 INCH. ALL OTHERS ARE: .X .XX .XXX ANGLES ±.1 ±.03 ±.010 ±2°		DO NOT SCALE DRAWING	
CONFIDENTIAL PROPERTY OF FREEMAN MARINE EQUIPMENT INC. UNAUTHORIZED USE, COPYING OR DISTRIBUTION IS STRICTLY PROHIBITED. POSSESSOR OF THIS DOCUMENT AGREES TO THE FOREGOING AND SHALL RETURN THIS DOCUMENT UPON REQUEST. © ALL RIGHTS RESERVED 2004		FREEMAN MARINE EQUIPMENT, INC.		28336 HUNTER CREEK ROAD GOLD BEACH, OR 97444 U.S.A. PHONE: 541-247-7078 FAX: 541-247-2114 www.freemanmarine.com		CLIENT: FREEMAN MARINE	
DRAWN: Z. CARPENTER CHECKED: D. YOES ENGR:		DATE: 28MAY13 DATE: 28MAY13 DATE:		TITLE: HATCH: 24-H [K] ROUND, YOKE HINGE, W/ ESCAPE HANDLE		SIZE: D CAGE CODE: 64747 DRAWING NUMBER: 2487-0063-0001 REV. A	
A PRODUCTION RELEASE REV. DESCRIPTION:		DATE: 28MAY13 DRAWN: ZJC		SCALE: 2:3 CALC. WT. ACT. WT.		SHEET 2 OF 3	



8 7 6 5 4 3 2 1

D
C
B
A

DECK CUT OUT

(.3)
.13
(344)
R13.56

63°
TYP.

(132)
5.20

(802)
31.56

- 3. FINISH: 125 RMS MAX.
 - 2. BREAK SHARP EDGES AND DEBURR.
 - 1. MATERIAL:
- NOTES: UNLESS OTHERWISE SPECIFIED.

CUSTOMER APPROVAL

Signature: _____
Date: _____

IMPORTANT! THIS DRAWING SUPERSEDES ALL OTHER DOCUMENTS. By signing this approval you accept and agree that the dimensions and details shown are correct and properly fit your application, regardless of any differences between this drawing and any contract specifications. Should you see any errors in the drawing, or have any questions, please contact your Freeman Marine sales engineer for clarification.

REV.	DESCRIPTION	DATE	DRAWN
A	PRODUCTION RELEASE	28MAY13	ZJC

SPECIFICATIONS SUBJECT TO CHANGE WITHOUT NOTICE.

PROJECTION

UNLESS OTHERWISE SPECIFIED DIMENSIONS ARE IN INCHES, TOLERANCES FOR ROUGH AND CLEAR OPENING ± .125 INCH. ALL OTHERS ARE:

.X	.XX	.XXX	ANGLES
±.1	±.03	±.010	±2°

DO NOT SCALE DRAWING

FREEMAN MARINE EQUIPMENT, INC.

CONFIDENTIAL PROPERTY OF FREEMAN MARINE EQUIPMENT, INC. UNAUTHORIZED USE, REPRODUCTION OR DISTRIBUTION IS STRICTLY PROHIBITED. ALL COPIES REMAIN THE PROPERTY OF FREEMAN MARINE EQUIPMENT, INC. AND MUST BE RETURNED UPON REQUEST. © ALL RIGHTS RESERVED 2012, FREEMAN MARINE EQUIPMENT, INC.

28336 HUNTER CREEK ROAD
GOLD BEACH, OR 97444 U.S.A.
PHONE: 541-247-7078 FAX: 541-247-2114
www.freemanmarine.com

CLIENT: **FREEMAN MARINE**

TITLE: **HATCH: 24-H [K] ROUND, YOKE HINGE, W/ ESCAPE HANDLE**

SIZE: **D** CAGE CODE: **64747** DRAWING NUMBER: **2487-0063-0001** REV. **A**

SCALE: 1:2 CALC. WT. ACT. WT. SHEET 3 OF 3