

- 9. FOR SPECIFIC INFORMATION CONTACT SALES.
- 8. COMPLETE ASSEMBLY WEIGHT W/ DECK RING, 70LBS
- 7. DOGGING PRESSURE FULLY ADJUSTABLE.
- 6. ALUMINUM ALLOY MECHANISM SHOWN.
- 5. FLUSH, WATERTIGHT CONSTRUCTION.
- 4. REMOVABLE INTERLOCKING TOPSIDE "T" HANDLE STANDARD.
- 3. STAINLESS STEEL FLANGE, FLANGE CAN BE DRILLED FOR BOLTED INSTALLATIONS OR WELDED.
- 2. QUICK-ACTING, MECHANISM ENGAGES OR DISENGAGES IN QUARTER-TURN OF CENTER SPINDLE.
- 1. 24" DIAMETER CLEAR OPENING, ALL DIMENSIONS SHOWN SUBJECT TO CASTING VARIATION AND ARE REFERENCE ONLY.

NOTES: UNLESS OTHERWISE SPECIFIED.

CONFIDENTIAL PROPERTY OF FREEMAN MARINE EQUIPMENT INC. UNAUTHORIZED USE, COPYING OR DISTRIBUTION IS STRICTLY PROHIBITED. POSSESSOR OF THIS DOCUMENT AGREES TO THE FOREGOING AND SHALL RETURN THIS DOCUMENT UPON REQUEST. © ALL RIGHTS RESERVED 2004		FREEMAN MARINE EQUIPMENT, INC. 28336 HUNTER CREEK ROAD GOLD BEACH, OR 97444 U.S.A. PHONE: 541-247-7078 FAX: 541-247-2114 www.freemanmarine.com	
SPECIFICATIONS SUBJECT TO CHANGE WITHOUT NOTICE.		CLIENT: FREEMAN MARINE	
PROJECTION		TITLE: HATCH: 24-H [K] ROUND, YOKE HINGE, W/ ESCAPE HANDLE	
UNLESS OTHERWISE SPECIFIED DIMENSIONS ARE IN INCHES, TOLERANCES FOR ROUGH AND CLEAR OPENING ± .125 INCH. ALL OTHERS ARE: .X .XX .XXX ANGLES ±.1 ±.03 ±.010 ±2°		SIZE: D CAGE CODE: 64747 DRAWING NUMBER: 2487-0065-0001 REV. A	
DO NOT SCALE DRAWING		SCALE: 1:3 CALC. WT. ACT. WT. SHEET 1 OF 3	
A PRODUCTION RELEASE 28MAY13 ZJC	REV. DESCRIPTION: DATE: DRAWN	DRAWN: Z. CARPENTER DATE: 28MAY13 CHECKED: D. YOES DATE: 28MAY13 ENGR: DATE: DESIGN ACTIVITY: DATE: CONTRACT NO.:	CONTRACT NO.:

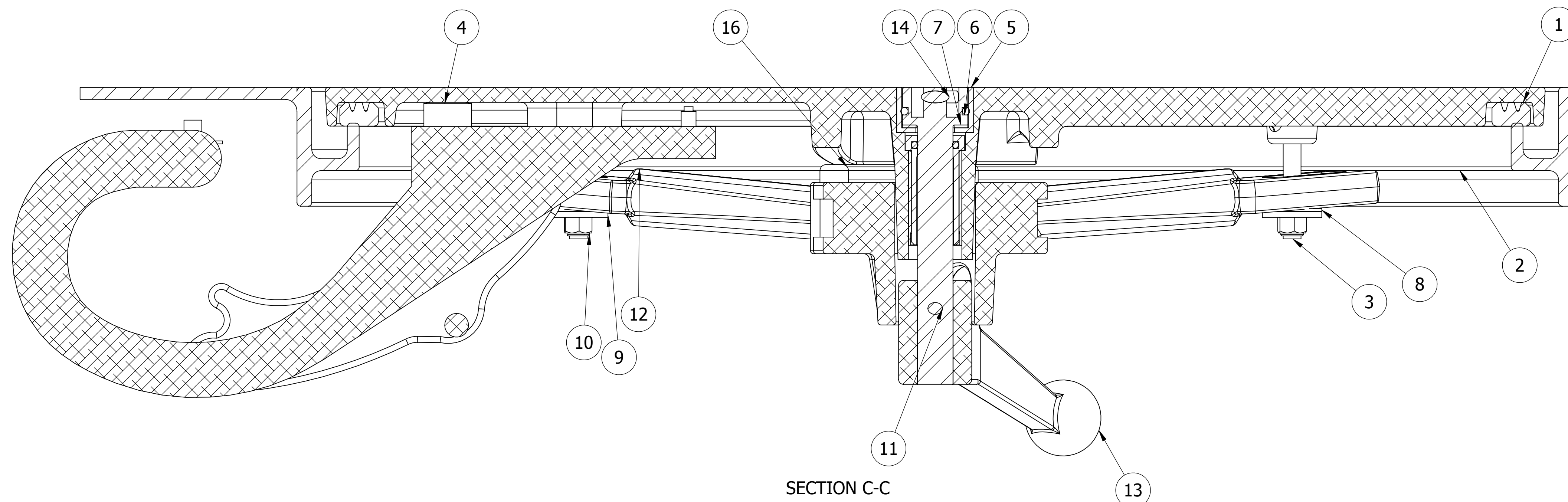
8 7 6 5 4 3 2 1

D

C

B

A



SECTION C-C

ITEM NO.	QTY.	PART NUMBER	DESCRIPTION	MATERIAL
16	1	0011-2006	HUB, 4 HOLE - SHORT	ALUMINUM, 535.2
15	1	0031-2001	BUSHING ASSY, STD HATCH, W/SLEEVE	REF. S/A - B.O.M.
14	1	0031-2107	SPINDLE, INTERLOCKING, FLUSH TO 1/4 TEAK	STAINLESS STEEL, 316L
13	1	0112-2003	ESCAPE HANDLE, AL	ALUMINUM, 535.2-F
12	4	0211-2012	DOG, LOCKING ARM 24, AL	ALUMINUM, 535.2-F
11	1	0411-2004	PIN, KNURLED, 1/4 X 2-1/4, 316 S/S	STAINLESS STEEL, 316L
10	4	0411-2032	LOCKNUT, NYLON INSERT, 3/8-16, 316 S/S	STAINLESS STEEL, 316
9	4	0411-2033	WASHER, .406 X 1.25 X .125, 316 S/S	STAINLESS STEEL, 316
8	4	0413-2005	WASHER, .406 X 1.250 X .062 NYLON	NYLON
7	1	0413-2049	WASHER, SHIM CAST HATCH BI-SQ	ACETAL, BLACK
6	1	0441-2045	O-RING, 27MM X 4MM	BUNA-N
5	1	0441-2133	CUP, INTERLOCKING SPINDLE, FLUSH TO 1/4	STAINLESS STEEL, 316L
4	1	0461-2077	HINGE ASSY, YOKE, CAST HATCH, W/HOLD OPEN	REF S/A B.O.M.
3	1	2412-3041	COVER, MODEL 24	ALUMINUM
2	1	2487-1005	RING: 24K S/S, 615-9001	STAINLESS STEEL
1	1	9835-2014	GASKET	NEOPRENE

NOTES: UNLESS OTHERWISE SPECIFIED.

SPECIFICATIONS SUBJECT TO CHANGE WITHOUT NOTICE.				FREEMAN MARINE EQUIPMENT, INC.		28336 HUNTER CREEK ROAD GOLD BEACH, OR 97444 U.S.A. PHONE: 541-247-7078 FAX: 541-247-2114 www.freemanmarine.com	
UNLESS OTHERWISE SPECIFIED DIMENSIONS ARE IN INCHES, TOLERANCES FOR ROUGH AND CLEAR OPENING ± .125 INCH. ALL OTHERS ARE:		.X .XX .XXX ANGLES ±.1 ±.03 ±.010 ±2°		CONFIDENTIAL PROPERTY OF FREEMAN MARINE EQUIPMENT INC. UNAUTHORIZED USE, COPYING OR DISTRIBUTION IS STRICTLY PROHIBITED. POSSESSOR OF THIS DOCUMENT AGREES TO THE FOREGOING AND SHALL RETURN THIS DOCUMENT UPON REQUEST. © ALL RIGHTS RESERVED 2004		CLIENT: FREEMAN MARINE	
DRAWN: Z. CARPENTER DATE: 28MAY13 CHECKED: D. YOES DATE: 28MAY13 ENGR: DATE:		TITLE: HATCH: 24-H [K] ROUND, YOKE HINGE, W/ ESCAPE HANDLE		SIZE: D CAGE CODE: 64747 DRAWING NUMBER: 2487-0065-0001 REV. A		SCALE: 2:3 CALC. WT. ACT. WT. SHEET 2 OF 3	
A PRODUCTION RELEASE 28MAY13 ZJC		DO NOT SCALE DRAWING		CONTRACT NO.:		DATE: DRAWN	

