

8. THIS DRAWING PROVIDES THE GENERAL CONFIGURATION OF A HATCH. FOR SPECIFIC INFORMATION CONTACT ADVANCED MARINE TECHNOLOGIES SALES.

7. DOGGING PRESSURE FULLY ADJUSTABLE.

6. ALUMINUM ALLOY MECHANISM SHOWN.

5. FLUSH, WATERTIGHT CONSTRUCTION.

A 4. MILD STEEL RING AND FLANGE CAN BE DRILLED FOR BOLTED INSTALLATIONS, OR WELDED TO STEEL.

3. CAST ALUMINUM COVER.

2. QUICK ACTING MECHANISM ENGAGES OR DISENGAGES IN QUARTER-TURN OF CENTER SPINDLE.

1. ALL DIMENSIONS SHOWN SUBJECT TO CASTING VARIATION AND ARE FOR REFERENCE ONLY.

NOTES: UNLESS OTHERWISE SPECIFIED.

CUSTOMER APPROVAL

Signature: \_\_\_\_\_

Date: \_\_\_\_\_

IMPORTANT! THIS DRAWING SUPERSEDES ALL OTHER DOCUMENTS. By signing this approval you accept and agree that the dimensions and details shown are correct and properly fit your application, regardless of any differences between this drawing and any contract specifications. Should you see any errors in the drawing, or have any questions, please contact your Freeman Marine sales engineer for clarification.

REV.	DESCRIPTION:	DATE:	DRAWN
-	INITIAL RELEASE	19NOV12	TAP
A	REVISED WITH ROUND BOSS MOUNTS	11MAR13	TAP

SPECIFICATIONS SUBJECT TO CHANGE WITHOUT NOTICE.

PROJECTION

UNLESS OTHERWISE SPECIFIED DIMENSIONS ARE IN INCHES, TOLERANCES FOR ROUGH AND CLEAR OPENING ± .125 INCH. ALL OTHERS ARE:

.X	.XX	.XXX	ANGLES
±.1	±.03	±.010	±2°

DO NOT SCALE DRAWING

**FREEMAN MARINE EQUIPMENT, INC.**

28336 HUNTER CREEK ROAD  
GOLD BEACH, OR 97444 U.S.A.  
PHONE: 541-247-7078 FAX: 541-247-2114  
www.freemanmarine.com

CONFIDENTIAL PROPERTY OF FREEMAN MARINE EQUIPMENT, INC. UNAUTHORIZED USE, REPRODUCTION OR DISTRIBUTION IS STRICTLY PROHIBITED. ALL COPIES REMAIN THE PROPERTY OF FREEMAN MARINE EQUIPMENT, INC. AND MUST BE RETURNED UPON REQUEST.

CLIENT: \_\_\_\_\_

TITLE: **MODEL 2492, QUICK ACTING CAST HATCH INTEGRAL YOKE, MILD STEEL DECK RING**

SIZE: **D** CAGE CODE: **64747** DRAWING NUMBER: **2492-0063** REV. **A**

SCALE: 1:3 CALC. WT. ACT. WT. SHEET 1 OF 3

CONTRACT NO.: \_\_\_\_\_

DESIGN ACTIVITY: \_\_\_\_\_ DATE: \_\_\_\_\_

ENGR: \_\_\_\_\_ DATE: \_\_\_\_\_

CHECKED: **D YOES** DATE: **20NOV12**

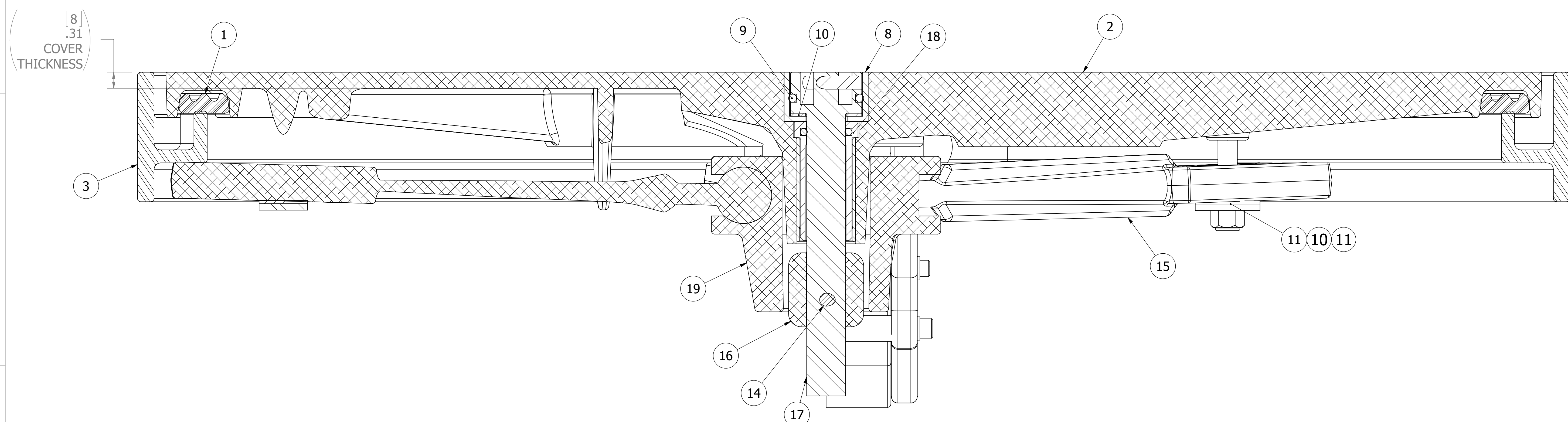
DRAWN: **T PAPASADERO** DATE: **19NOV12**

D

C

B

A



**SECTION A-A**  
SCALE 1 : 1

- 8. THIS DRAWING PROVIDES THE GENERAL CONFIGURATION OF A HATCH. FOR SPECIFIC INFORMATION CONTACT ADVANCED MARINE TECHNOLOGIES SALES.
- 7. DOGGING PRESSURE FULLY ADJUSTABLE.
- 6. ALUMINUM ALLOY MECHANISM SHOWN.
- 5. FLUSH, WATERTIGHT CONSTRUCTION.
- 4. MILD STEEL RING AND FLANGE CAN BE DRILLED FOR BOLTED INSTALLATIONS, OR WELDED TO STEEL.
- 3. CAST ALUMINUM COVER.
- 2. QUICK ACTING MECHANISM ENGAGES OR DISENGAGES IN QUARTER-TURN OF CENTER SPINDLE.
- 1. ALL DIMENSIONS SHOWN SUBJECT TO CASTING VARIATION AND ARE FOR REFERENCE ONLY.

NOTES: UNLESS OTHERWISE SPECIFIED.

ITEM NO.	QTY.	PART NUMBER	DESCRIPTION	MATERIAL
19	1	0011-2006	HUB, 4 HOLE - SHORT	ALUMINUM, 535.2
18	1	0031-2001	BUSHING ASSY, STD HATCH, W/SLEEVE	REF. S/A - B.O.M.
17	1	0031-2107	SPINDLE, INTERLOCKING, FLUSH TO 1/4 TEAK	STAINLESS STEEL, 316L
16	1	0112-2001	ACTUATOR, AL	ALUMINUM, 535
15	4	0211-2007	DOG, LOCKING ARM	ALUMINUM, 535.2-F
14	1	0411-2004	PIN, KNURLED, 1/4 X 2-1/4, 316 S/S	STAINLESS STEEL, 316L
13	4	0411-2032	LOCKNUT, NYLON INSERT, 3/8-16, 316 S/S	STAINLESS STEEL, 316
12	4	0411-2033	WASHER, .406 X 1.25 X .125, 316 S/S	STAINLESS STEEL, 316
11	4	0413-2005	WASHER, .406 X 1.250 X .062 NYLON	NYLON
10	1	0413-2049	WASHER, SHIM CAST HATCH BI-SQ	ACETAL, BLACK
9	1	0441-2045	O-RING, 27MM X 4MM	BUNA-N
8	1	0441-2341	CUP, INTERLOCKING SPINDLE, FLUSH TO 1/4	ACETRON GP, BLACK
7	1	0461-2077	HINGE ASSY, YOKE, CAST HATCH, W/HOLD OPEN	REF S/A B.O.M.
6	2	0462-2405	BOSS, MOUNT, YOKE HINGE, CAST HATCH (0611-9531)	6061-T6511 ALUMINUM
5	2	0462-2524	BOSS, MOUNT, YOKE HINGE, CAST HATCH (0613-9513)	316L STAINLESS STEEL
4	1	0462-2628	FLANGE, YOKE HINGE, 1926 CAST HATCH, L, MS (0715-2011)	MILD STEEL
3	1	2435-1003	RING: 1926K	MILD STEEL
2	1	2492-3041	COVER: 1926 ALUM, FINISHED CASTING	ALUMINUM, A356.0-F
1	1	9885-2012	GASKET	NEOPRENE, 25 DURO

CUSTOMER APPROVAL

Signature: \_\_\_\_\_  
Date: \_\_\_\_\_  
IMPORTANT! THIS DRAWING SUPERSEDES ALL OTHER DOCUMENTS. By signing this approval you accept and agree that the dimensions and details shown are correct and properly fit your application, regardless of any differences between this drawing and any contract specifications. Should you see any errors in the drawing, or have any questions, please contact your Freeman Marine sales engineer for clarification.

REV.	DESCRIPTION	DATE	DRAWN
-	INITIAL RELEASE	19NOV12	TAP
A	REVISED WITH ROUND BOSS MOUNTS	11MAR13	TAP

SPECIFICATIONS SUBJECT TO CHANGE WITHOUT NOTICE.

PROJECTION

UNLESS OTHERWISE SPECIFIED DIMENSIONS ARE IN INCHES, TOLERANCES FOR ROUGH AND CLEAR OPENING ± .125 INCH. ALL OTHERS ARE:  
.X .XX .XXX ANGLES  
±.1 ±.03 ±.010 ±2°

DO NOT SCALE DRAWING



28336 HUNTER CREEK ROAD  
GOLD BEACH, OR 97444 U.S.A.  
PHONE: 541-247-7078 FAX: 541-247-2114  
www.freemanmarine.com

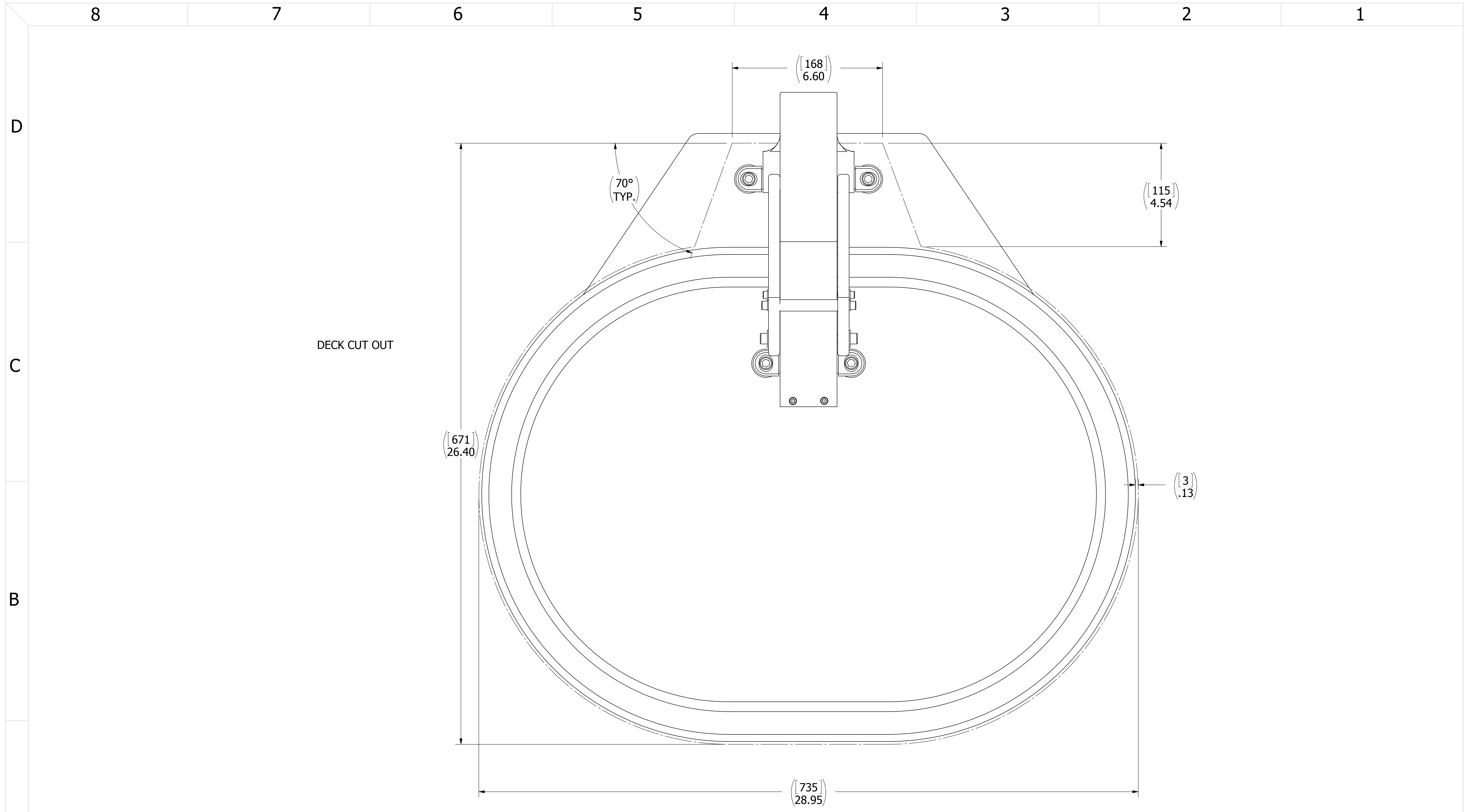
CONFIDENTIAL PROPERTY OF FREEMAN MARINE EQUIPMENT, INC. UNAUTHORIZED USE, REPRODUCTION OR DISTRIBUTION IS STRICTLY PROHIBITED. ALL COPIES REMAIN THE PROPERTY OF FREEMAN MARINE EQUIPMENT, INC. AND MUST BE RETURNED UPON REQUEST.  
© ALL RIGHTS RESERVED 2012, FREEMAN MARINE EQUIPMENT, INC.

DRAWN: T PAPASADERO  
CHECKED: D YOES  
ENGR:  
DESIGN ACTIVITY:  
CONTRACT NO.:

CLIENT:  
TITLE: MODEL 2492, QUICK ACTING CAST HATCH INTEGRAL YOKE, MILD STEEL DECK RING

SIZE: D  
CAGE CODE: 64747  
DRAWING NUMBER: 2492-0063  
REV. A

SCALE: 1:3  
CALC. WT.  
ACT. WT.  
SHEET 2 OF 3



DECK CUT OUT

- 3. FINISH: 125 RMS MAX.
  - 2. BREAK SHARP EDGES AND DEBURR.
  - 1. MATERIAL: REF. S/A - B.O.M.
- NOTES: UNLESS OTHERWISE SPECIFIED.

CUSTOMER APPROVAL

Signature: \_\_\_\_\_  
 Date: \_\_\_\_\_

IMPORTANT! THIS DRAWING SUPERSEDES ALL OTHER DOCUMENTS. By signing this approval you accept and agree that the dimensions and details shown are correct and properly fit your application, regardless of any differences between this drawing and any contract specifications. Should you see any errors in the drawing, or have any questions, please contact your Freeman Marine sales engineer for clarification.

REV.	DESCRIPTION:	DATE:	DRAWN
-	INITIAL RELEASE	19NOV12	TAP
A	REVISED WITH ROUND BOSS MOUNTS	11MAR13	TAP

SPECIFICATIONS SUBJECT TO CHANGE WITHOUT NOTICE.

PROJECTION

UNLESS OTHERWISE SPECIFIED DIMENSIONS ARE IN INCHES, TOLERANCES FOR ROUGH AND CLEAR OPENING ± .125 INCH. ALL OTHERS ARE:

.X	.XX	.XXX	ANGLES
±.1	±.03	±.010	±2°

DO NOT SCALE DRAWING

**FREEMAN**  
MARINE EQUIPMENT, INC.

CONFIDENTIAL PROPERTY OF FREEMAN MARINE EQUIPMENT, INC. UNAUTHORIZED USE, REPRODUCTION OR DISTRIBUTION IS STRICTLY PROHIBITED. ALL COPIES REMAIN THE PROPERTY OF FREEMAN MARINE EQUIPMENT, INC. AND MUST BE RETURNED UPON REQUEST.

© ALL RIGHTS RESERVED 2012, FREEMAN MARINE EQUIPMENT, INC.

28336 HUNTER CREEK ROAD  
 GOLD BEACH, OR 97444 U.S.A.  
 PHONE: 541-247-7078 FAX: 541-247-2114  
 www.freemanmarine.com

CLIENT:

TITLE: MODEL 2492, QUICK ACTING CAST HATCH INTEGRAL YOKE, MILD STEEL DECK RING

SIZE	CAGE CODE	DRAWING NUMBER	REV.
<b>D</b>	64747	2492-0063	<b>A</b>

SCALE: 1:2    CALC WT.    ACT. WT.    SHEET 3 OF 3