

9. THIS DRAWING PROVIDES THE GENERAL CONFIGURATION OF A HATCH, FOR SPECIFIC INFORMATION CONTACT FREEMAN MARINE SALES.
8. ALUMINUM ALLOY MECHANISM SHOWN.
7. FLUSH, WATERTIGHT CONSTRUCTION.
6. INTERLOCKING SPINDLE EXTERIOR.
5. STAINLESS STEEL COAMING.
4. DIMENSIONS ARE SHOWN IN REFERENCE STATE DUE TO VARIATIONS IN THE CASTING PROCESS.
3. COVER MATERIAL A356
2. QUICK ACTING MECHANISM ENGAGES OR DISENGAGES IN QUARTER-TURN OF CENTER SPINDLE.
1. 24.7" X 24.7" CLEAR OPENING.
- NOTES: UNLESS OTHERWISE SPECIFIED.

A

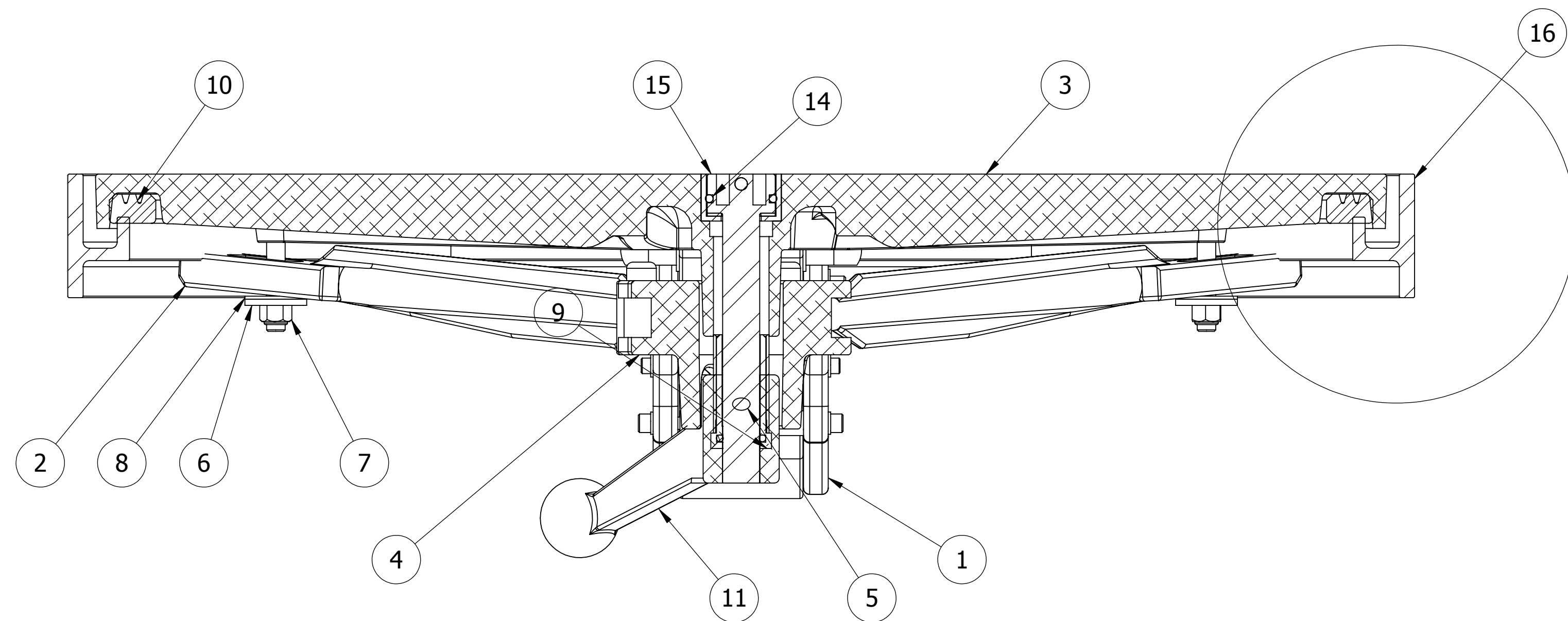
SPECIFICATIONS SUBJECT TO CHANGE WITHOUT NOTICE.		FREEMAN MARINE EQUIPMENT, INC. 28336 HUNTER CREEK ROAD GOLD BEACH, OR 97444 U.S.A. PHONE: 541-247-7078 FAX: 541-247-2114 www.freemanmarine.com	
UNLESS OTHERWISE SPECIFIED DIMENSIONS ARE IN INCHES, TOLERANCES FOR ROUGH AND CLEAR OPENING ± .125 INCH. ALL OTHERS ARE: .X .XX .XXX ANGLES ±.1 ±.03 ±.010 ±2°		CLIENT: FREEMAN MARINE TITLE: MODEL 2495, QUICK ACTING HATCH 2424K YOKE HINGED	
PROJECTION		CONTRACT NO.:	
DO NOT SCALE DRAWING		SCALE: 1:8	
A PRODUCTION RELEASE 21MAY13 ZJC		SIZE: D CAGE CODE: 64747 DRAWING NUMBER: 2495-0065-0001 REV. A	
REV. DESCRIPTION: DATE: DRAWN		SHEET 1 OF 3	

D

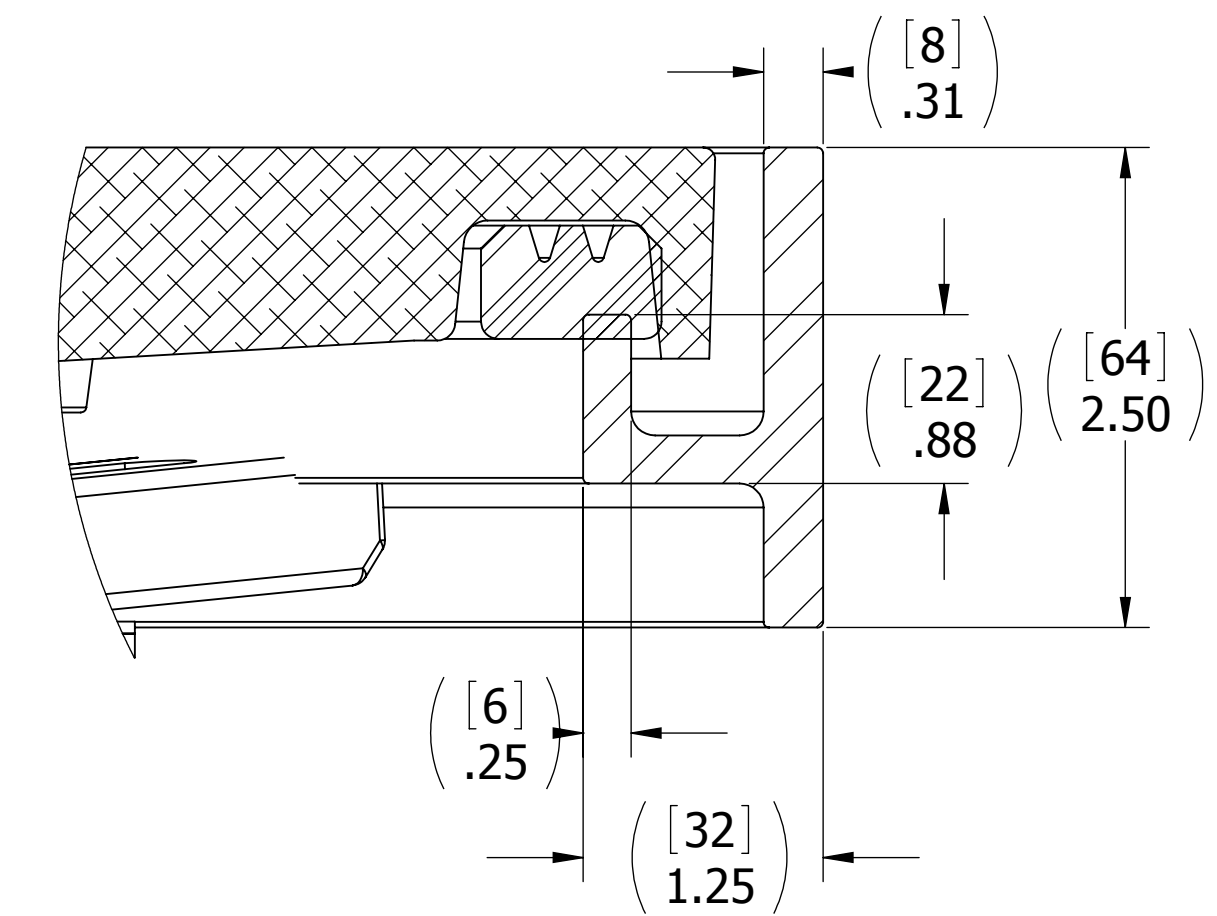
C

B

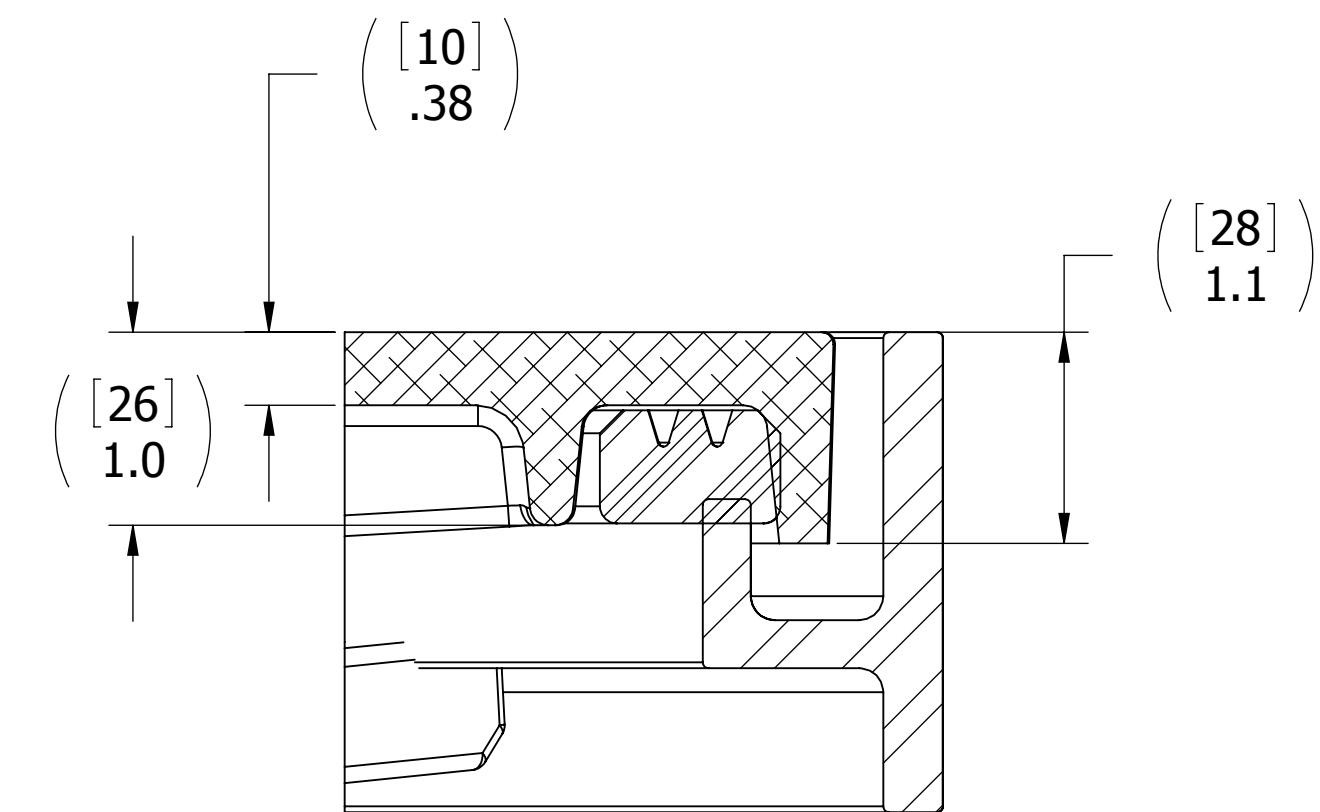
A



SECTION A-A
SCALE 1 : 2



DETAIL B
SCALE 1 : 1



SECTION C-C
SCALE 1 : 1

ITEM NO.	QTY.	PART NUMBER	DESCRIPTION	MATERIAL
17	1	0462-2526	FLANGE 2424 K	STAINLESS STEEL 316
16	1	2424-1005	RING 2424 K	STAINLESS STEEL 316
15	1	0031-2107	SPINDLE, INTERLOCKING, FLUSH TO 1/4 TEAK	STAINLESS STEEL, 316L
14	1	0441-2045	O-RING, 27MM X 4MM	BUNA-N
13	1	0413-2049	WASHER, SHIM CAST HATCH BI-SQ	ACETAL, BLACK
12	1	0441-2133	CUP, INTERLOCKING SPINDLE, FLUSH TO 1/4	STAINLESS STEEL, 316L
11	1	0112-2003	ESCAPE HANDLE, AL	AL, 535.2-F
10	1	9813-2004	GASKET, 2424 (7.33' OF 0631-9813)	NEOPRENE
9	1	0031-2001	BUSHING ASSY, STD HATCH, W/SLEEVE	VARIOUS
8	4	0413-2005	WASHER, .406 X 1.250 X .062 NYLON	NYLON
7	4	0411-2032	NUT .375IN NYLOCK	316/316L
6	4	0411-2033	WASHER .406 X 1.25 X .125IN SS 316	SS, 316
5	1	0411-2004	PIN KNURLED .25 X 2.25IN SS 316	SS, 316
4	1	0011-2006	HUB, 4 HOLE - SHORT	AL, 535.2
3	1	2495-3041	CASTING, HATCH COVER, 2424	ALUMINUM, 356
2	4	0211-2013	DOG, LOCKING ARM	ALUMINUM, 535.2-F
1	1	0461-2077	YOKE HINGE ASSY.	ALUM W/ VARIOUS COMPONENTS

REV.	DESCRIPTION	DATE	DRAWN
A	PRODUCTION RELEASE	21MAY13	ZJC

SPECIFICATIONS SUBJECT TO CHANGE WITHOUT NOTICE.

PROJECTION

UNLESS OTHERWISE SPECIFIED DIMENSIONS ARE IN INCHES, TOLERANCES FOR ROUGH AND CLEAR OPENING ± .125 INCH. ALL OTHERS ARE:

.X	.XX	.XXX	ANGLES
±.1	±.03	±.010	±2°

DO NOT SCALE DRAWING

FREEMAN MARINE EQUIPMENT, INC.

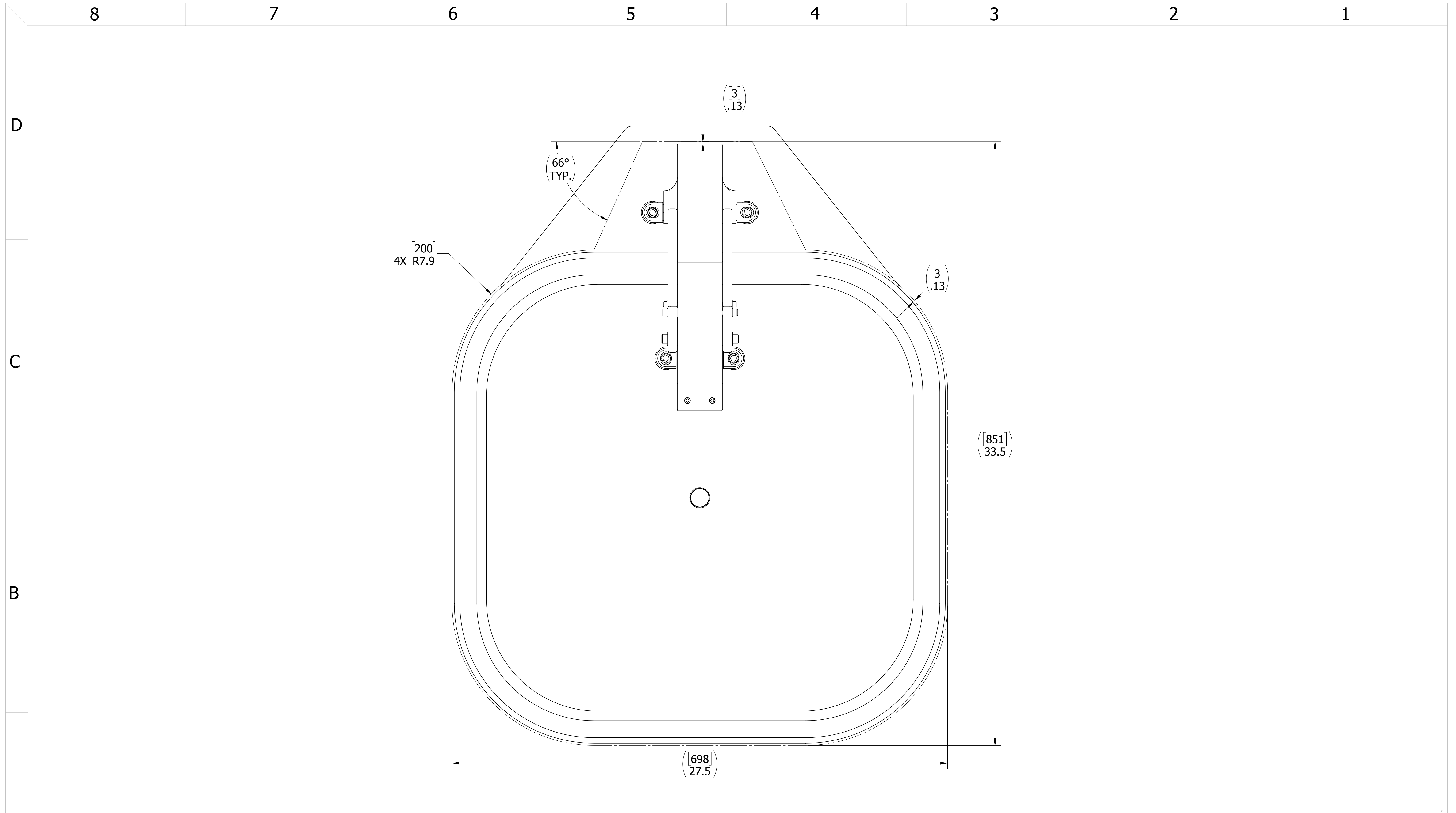
28336 HUNTER CREEK ROAD
GOLD BEACH, OR 97444 U.S.A.
PHONE: 541-247-7078 FAX: 541-247-2114
www.freemanmarine.com

CLIENT: **FREEMAN MARINE**

TITLE: **MODEL 2495, QUICK ACTING HATCH
2424K YOKE HINGED**

DRAWN: Z. CARPENTER	DATE: 21MAY13	SIZE: D	CAGE CODE: 64747	DRAWING NUMBER: 2495-0065-0001	REV. A
CHECKED: D. YOES	DATE: 21MAY13	SCALE: 1:8	CALC. WT.	ACT. WT.	SHEET 2 OF 3
ENGR:	DATE:				
DESIGN ACTIVITY:	DATE:				
CONTRACT NO.:					

CONFIDENTIAL PROPERTY OF FREEMAN MARINE EQUIPMENT, INC. UNAUTHORIZED USE, COPYING OR DISTRIBUTION IS STRICTLY PROHIBITED. POSSESSOR OF THIS DOCUMENT AGREES TO THE FOREGOING AND SHALL RETURN THIS DOCUMENT UPON REQUEST. © ALL RIGHTS RESERVED 2004



8 7 6 5 4 3 2 1

D

C

B

A

- 3. FINISH: 125 RMS MAX.
 - 2. BREAK SHARP EDGES AND DEBURR.
 - 1. MATERIAL: REF. S/A - B.O.M.
- NOTES: UNLESS OTHERWISE SPECIFIED.

CUSTOMER APPROVAL

Signature: _____

Date: _____

IMPORTANT! THIS DRAWING SUPERSEDES ALL OTHER DOCUMENTS. By signing this approval you accept and agree that the dimensions and details shown are correct and properly fit your application, regardless of any differences between this drawing and any contract specifications. Should you see any errors in the drawing, or have any questions, please contact your Freeman Marine sales engineer for clarification.

REV.	DESCRIPTION	DATE	DRAWN
A	PRODUCTION RELEASE	21MAY13	ZJC

SPECIFICATIONS SUBJECT TO CHANGE WITHOUT NOTICE.

PROJECTION

UNLESS OTHERWISE SPECIFIED DIMENSIONS ARE IN INCHES, TOLERANCES FOR ROUGH AND CLEAR OPENING ± .125 INCH. ALL OTHERS ARE:

.X	.XX	.XXX	ANGLES
±.1	±.03	±.010	±2°

DO NOT SCALE DRAWING

FREEMAN MARINE EQUIPMENT, INC.

CONFIDENTIAL PROPERTY OF FREEMAN MARINE EQUIPMENT, INC. UNAUTHORIZED USE, REPRODUCTION OR DISTRIBUTION IS STRICTLY PROHIBITED. ALL CODES REMAIN THE PROPERTY OF FREEMAN MARINE EQUIPMENT, INC. AND MUST BE RETURNED UPON REQUEST. © ALL RIGHTS RESERVED 2012, FREEMAN MARINE EQUIPMENT, INC.

28336 HUNTER CREEK ROAD
GOLD BEACH, OR 97444 U.S.A.
PHONE: 541-247-7078 FAX: 541-247-2114
www.freemanmarine.com

CLIENT: **FREEMAN MARINE**

TITLE: **MODEL 2495, QUICK ACTING HATCH
2424K YOKE HINGED**

SIZE: **D** CAGE CODE: **64747** DRAWING NUMBER: **2495-0065-0001** REV. **A**

SCALE: 1:2.5 CALC. WT. ACT. WT. SHEET 3 OF 3