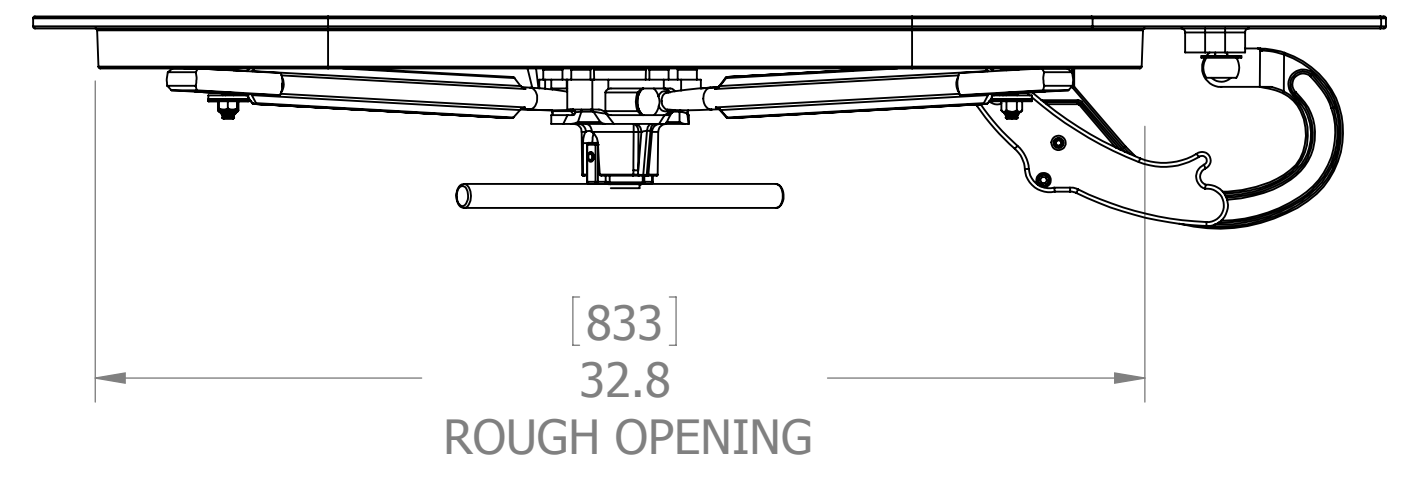
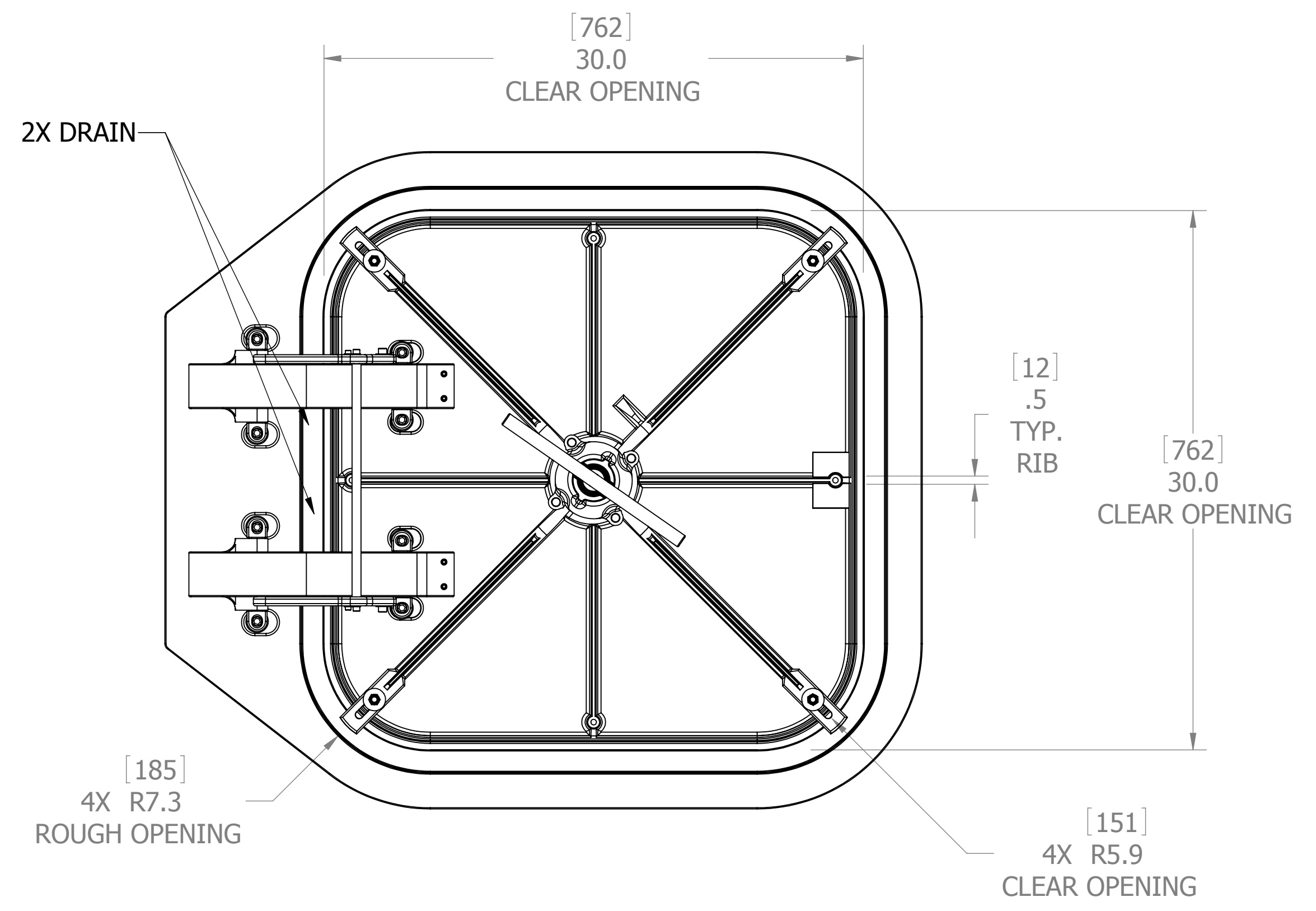
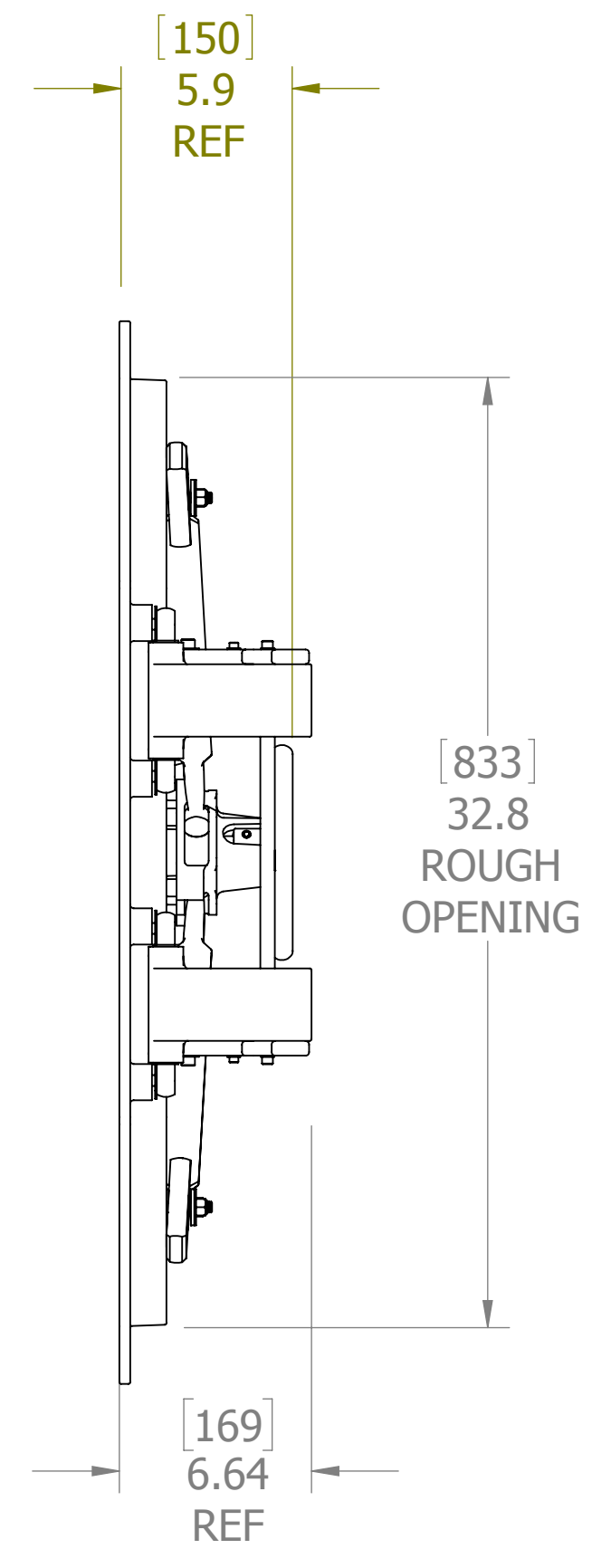
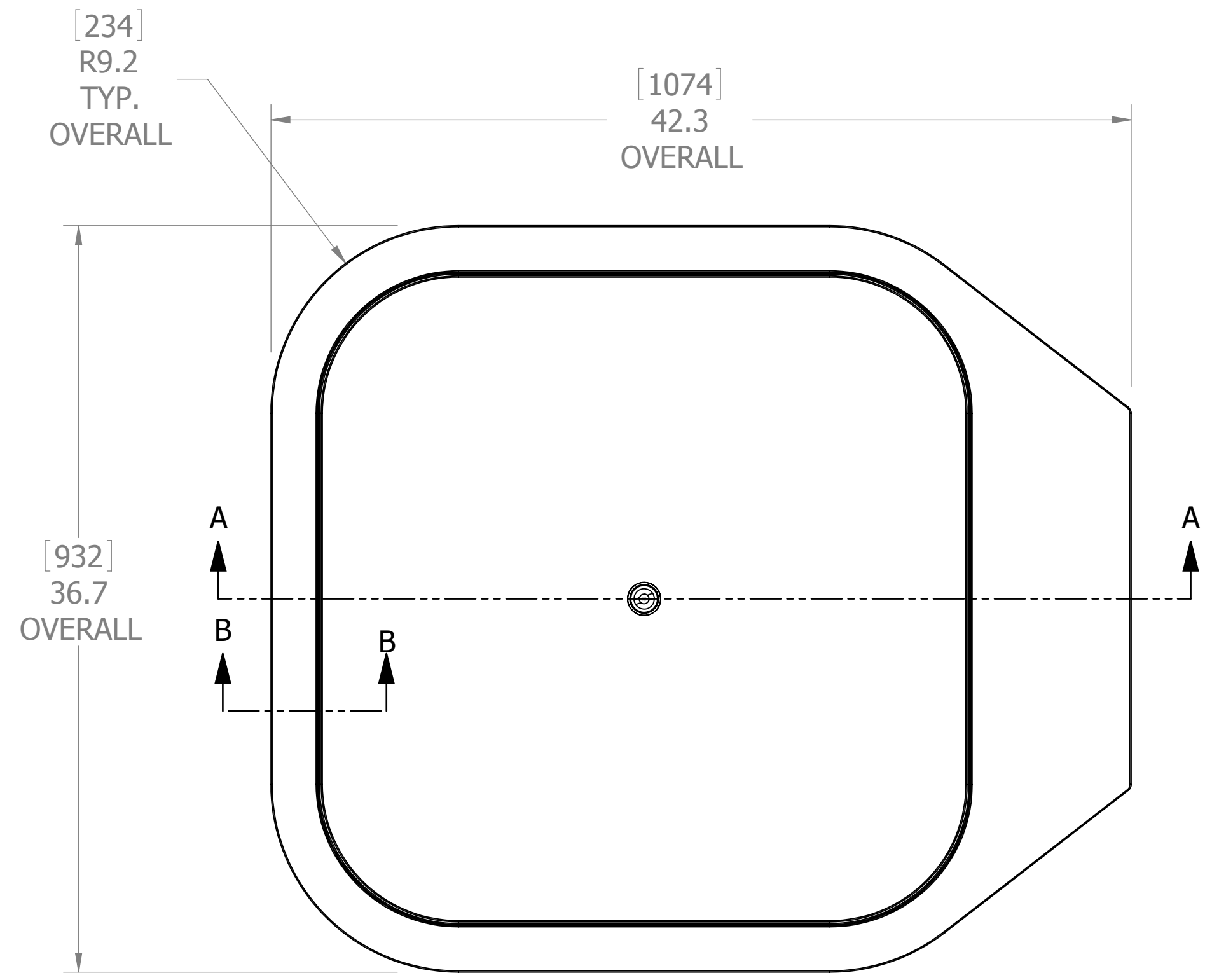


D

C

B

A

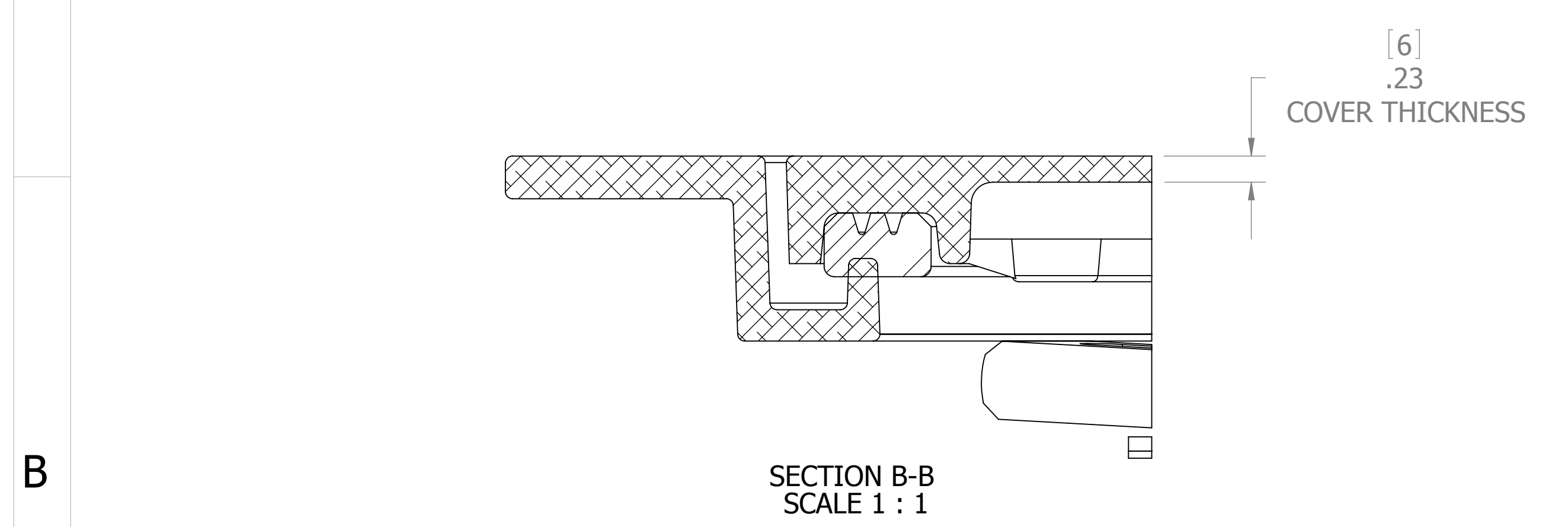
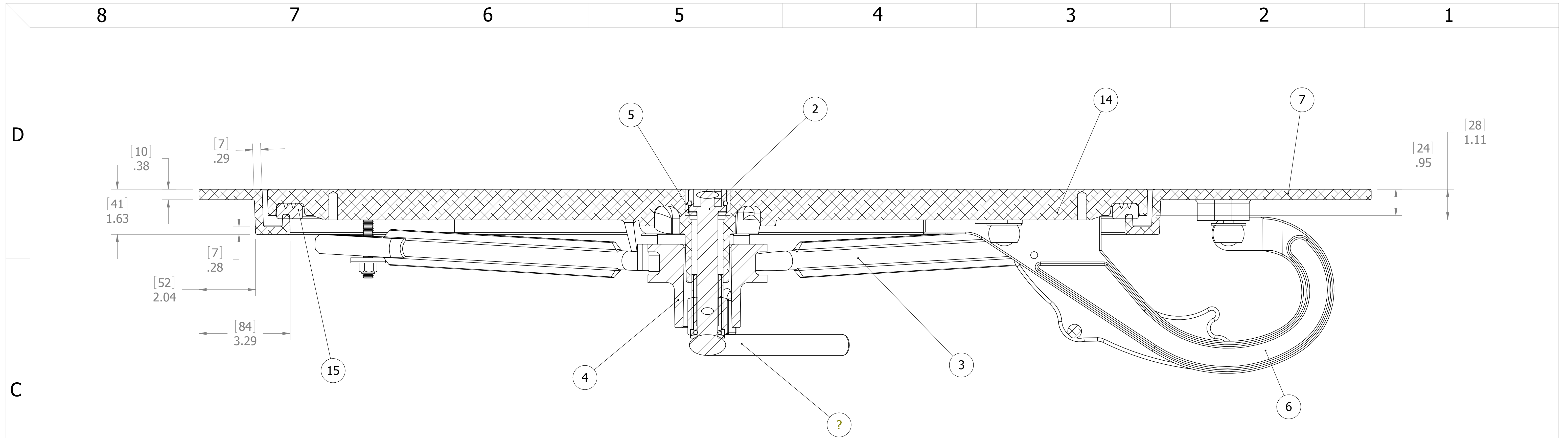


- 10. KEY PLAN: HINGED FORWARD, OUTWARD OPENING, PER FREEMAN STANDARD.
- 9. THIS DRAWING PROVIDES THE GENERAL CONFIGURATION OF A HATCH, FOR SPECIFIC INFORMATION CONTACT FREEMAN MARINE SALES.
- 8. STAINLESS STEEL MECHANISM SHOWN.
- 7. FLUSH WATERTIGHT CONSTRUCTION.
- 6. INTERLOCKING " T " HANDLE EXTERIOR.
- 5. ALUMINUM ALLOY COAMING
- 4. ALL DIMENSIONS ARE REFERENCE DUE TO VARIATIONS IN THE CASTING PROCESS.
- 3. COVER AND RING MATERIAL A356-T6.
- 2. QUICK ACTING MECHANISM ENGAGES OR DISENGAGES IN QUARTER TURN OF "T" HANDLE.
- 1. 30" X 30" CLEAR OPENING.

NOTES: UNLESS OTHERWISE SPECIFIED



SPECIFICATIONS SUBJECT TO CHANGE WITHOUT NOTICE.		FREEMAN MARINE EQUIPMENT, INC. 28336 HUNTER CREEK ROAD GOLD BEACH, OR 97444 U.S.A. PHONE: 541-247-7078 FAX: 541-247-2114 www.freemanmarine.com	
UNLESS OTHERWISE SPECIFIED DIMENSIONS ARE IN INCHES, TOLERANCES FOR ROUGH AND CLEAR OPENING ± .125 INCH. ALL OTHERS ARE: .X .XX .XXX ANGLES ±.1 ±.03 ±.010 ±2°		CLIENT: MODEL 2496 QUICK ACTING HATCH, HATCH: 3030-H [K] SQ, INTEGRAL YOKE	
PROJECTION		CONTRACT NO.:	
DO NOT SCALE DRAWING		SCALE: 1:6	
REV. DESCRIPTION:		DATE: DRAWN:	
DRAWN: T KUHNHAUSEN		DATE: 11SEP07	
CHECKED:		DATE:	
ENGR:		DATE:	
DESIGN ACTIVITY:		DATE:	
SIZE: D		CAGE CODE: 64747	
DRAWING NUMBER: 2496-0066-0004		REV. -	
SHEET 1 OF 2		CALC. WT. ACT. WT.	



SECTION A-A
SCALE 1 : 1.75

SECTION B-B
SCALE 1 : 1

ITEM NO.	QTY.	PART NUMBER	DESCRIPTION	MATERIAL
18	1	0031-2001	BUSHING ASSY, STD HATCH, W/SLEEVE	VARIOUS
17	1	0411-2004	PIN KNURLED .25 X 2.25IN SS 316	SS, 316
16	4	0411-2032	NUT .375IN NYLOCK	316/316L
15	1	9813-2005	GASKET: 3030 (9.46 FT. OF 0631-9813)	NEOPRENE, 25 DURO
14	1	2496-3041	CASTING, HATCH COVER 3030-K, YOKE HINGE	ALUMINUM, A356.2
7	1	2496-1002	RING: 3030K ALUM W/FLANGE, BOSS, YH	ALUMINUM, A356
6	1	0461-2077	HINGE ASSY, YOKE, CAST HATCH W/HOLD OPEN	ALUM W/ VARIOUS COMPONENTS
5	1	0441-2341	CUP, INTERLOCKING SPINDLE, FLUSH TO 1/4	ACETRON GP, BLACK
4	1	0212-2020	HUB, 4 HOLE, 316L S/S, SHORT	REF. S/A - B.O.M.
3	4	0212-2013	DOG, LOCKING ARM 3030, 316L S/S	STAINLESS STEEL, 316L
2	1	0031-2107	SPINDLE, INTERLOCKING, FLUSH TO 1/4 TEAK	STAINLESS STEEL, 316L
1	1	0021-2006	HANDLE, ESCAPE, S/S	REF. S/A - B.O.M.

CONFIDENTIAL PROPERTY OF FREEMAN MARINE EQUIPMENT INC.
UNAUTHORIZED USE, COPYING OR DISTRIBUTION IS STRICTLY PROHIBITED. POSSESSOR OF THIS DOCUMENT AGREES TO THE FOREGOING AND SHALL RETURN THIS DOCUMENT UPON REQUEST.

© ALL RIGHTS RESERVED 2004

UNLESS OTHERWISE SPECIFIED DIMENSIONS ARE IN INCHES, TOLERANCES FOR ROUGH AND CLEAR OPENING ± .125 INCH. ALL OTHERS ARE:

.X	.XX	.XXX	ANGLES
±.1	±.03	±.010	±2°

DO NOT SCALE DRAWING

FREEMAN
MARINE EQUIPMENT, INC.

28336 HUNTER CREEK ROAD
GOLD BEACH, OR 97444 U.S.A.
PHONE: 541-247-7078 FAX: 541-247-2114
www.freemanmarine.com

CLIENT:

TITLE: MODEL 2496 QUICK ACTING HATCH,
HATCH: 3030-H [K] SQ, INTEGRAL YOKE

SIZE	CAGE CODE	DRAWING NUMBER	REV.
D	64747	2496-0066-0004	-

SCALE: 1:8 CALC WT. ACT. WT. SHEET 2 OF 2