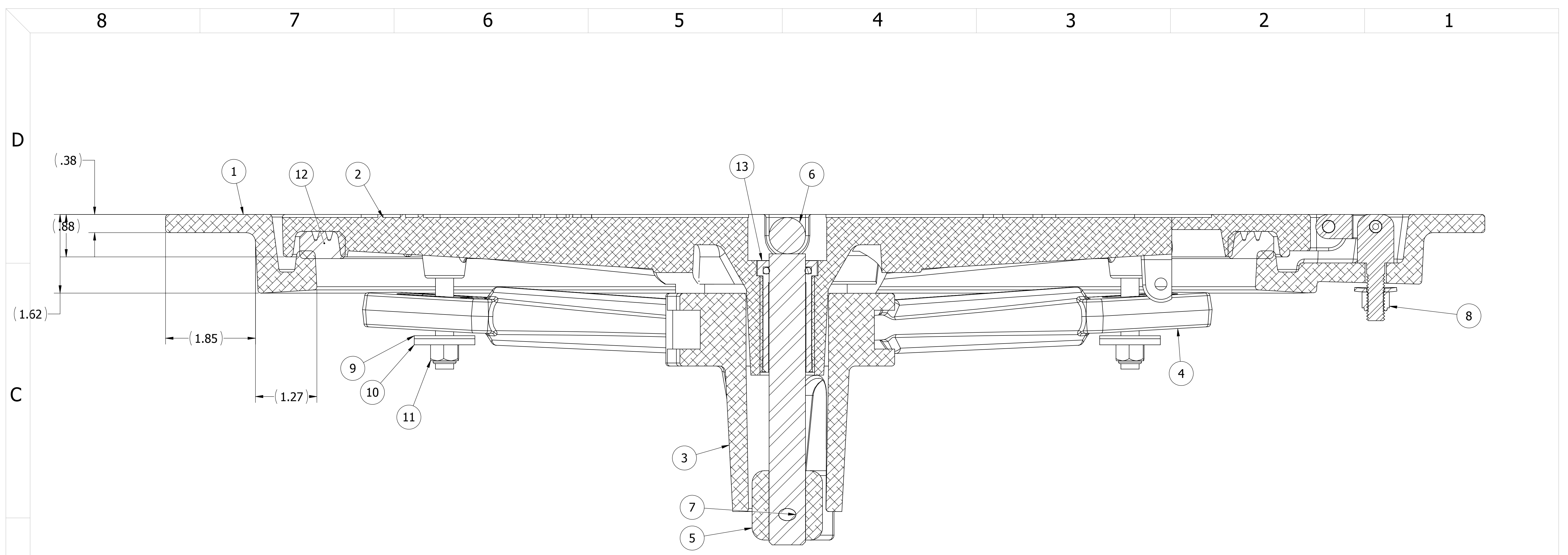


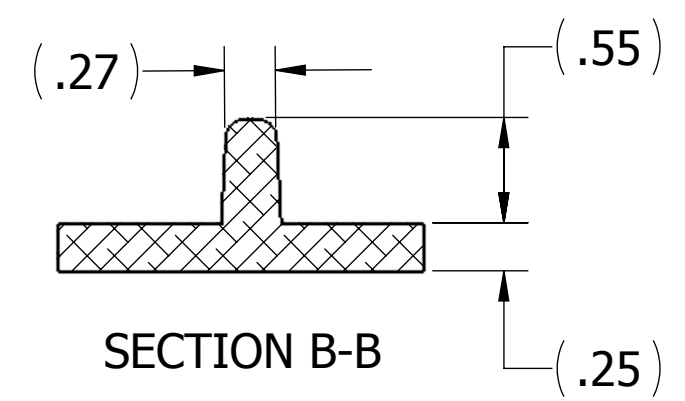
- 10. FOR SPECIFIC INFORMATION CONTACT SALES.
- 9. COMPLETE ASSEMBLY WEIGHT W/ DECK RING, 45.9LBS/ 20.8K.
- 8. DOGGING PRESSURE FULLY ADJUSTABLE.
- 7. HANDLE POSITION TOPSIDE INDICATES WHETHER DOGGING MECHANISM IS IN OPEN OR CLOSED POSITION.
- 6. ALUMINUM ALLOY MECHANISM SHOWN.
- 5. FLUSH, WATERTIGHT CONSTRUCTION.
- 4. INTEGRAL TOPSIDE "T" HANDLE STANDARD, OTHER TOPSIDE ACTUATION AVAILABLE.
- 3. CAST ALUMINUM ALLOY FLANGE, FLANGE CAN BE DRILLED FOR BOLTED INSTALLATIONS OR WELDED TO ALUMINUM.
- 2. QUICK-ACTING, MECHANISM ENGAGES OR DISENGAGES IN QUARTER-TURN OF CENTER SPINDLE.
- 1. 19.4" x 26.2" CLEAR OPENING, ALL DIMENSIONS SHOWN SUBJECT TO CASTING VARIATION AND ARE REFERENCE ONLY.

NOTES: UNLESS OTHERWISE SPECIFIED.

SPECIFICATIONS SUBJECT TO CHANGE WITHOUT NOTICE.		FREEMAN MARINE EQUIPMENT, INC. 28336 HUNTER CREEK ROAD GOLD BEACH, OR 97444 U.S.A. PHONE: 541-247-7078 FAX: 541-247-2114 www.freemanmarine.com	
UNLESS OTHERWISE SPECIFIED DIMENSIONS ARE IN INCHES, TOLERANCES FOR ROUGH AND CLEAR OPENING ± .125 INCH. ALL OTHERS ARE: .X .XX .XXX ANGLES ±.1 ±.03 ±.010 ±2°		CLIENT: FREEMAN MARINE TITLE: 19" X 26" OVAL "K" STYLE ALUMINUM CAST HATCH, ALUMINUM DECK RING	
PROJECTION		SIZE: D CAGE CODE: 64747 DRAWING NUMBER: 2475-0002 REV. A	
DO NOT SCALE DRAWING		SCALE: 1:3 CALC. WT. ACT. WT. SHEET 1 OF 3	
REV. DESCRIPTION: INITIAL RELEASE DATE: 09JUN05 DRAWN: GJM	REV. DESCRIPTION: UPDATE GEN. NOTES & B.O.M. DATE: 14NOV11 DRAWN: PPC	DRAWN: G MACEACHERN DATE: 09JUN05 CHECKED: DATE: ENGR: DATE: DESIGN ACTIVITY: DATE: CONTRACT NO.:	DATE: 09JUN05 DATE: DATE: DATE:



SECTION A-A



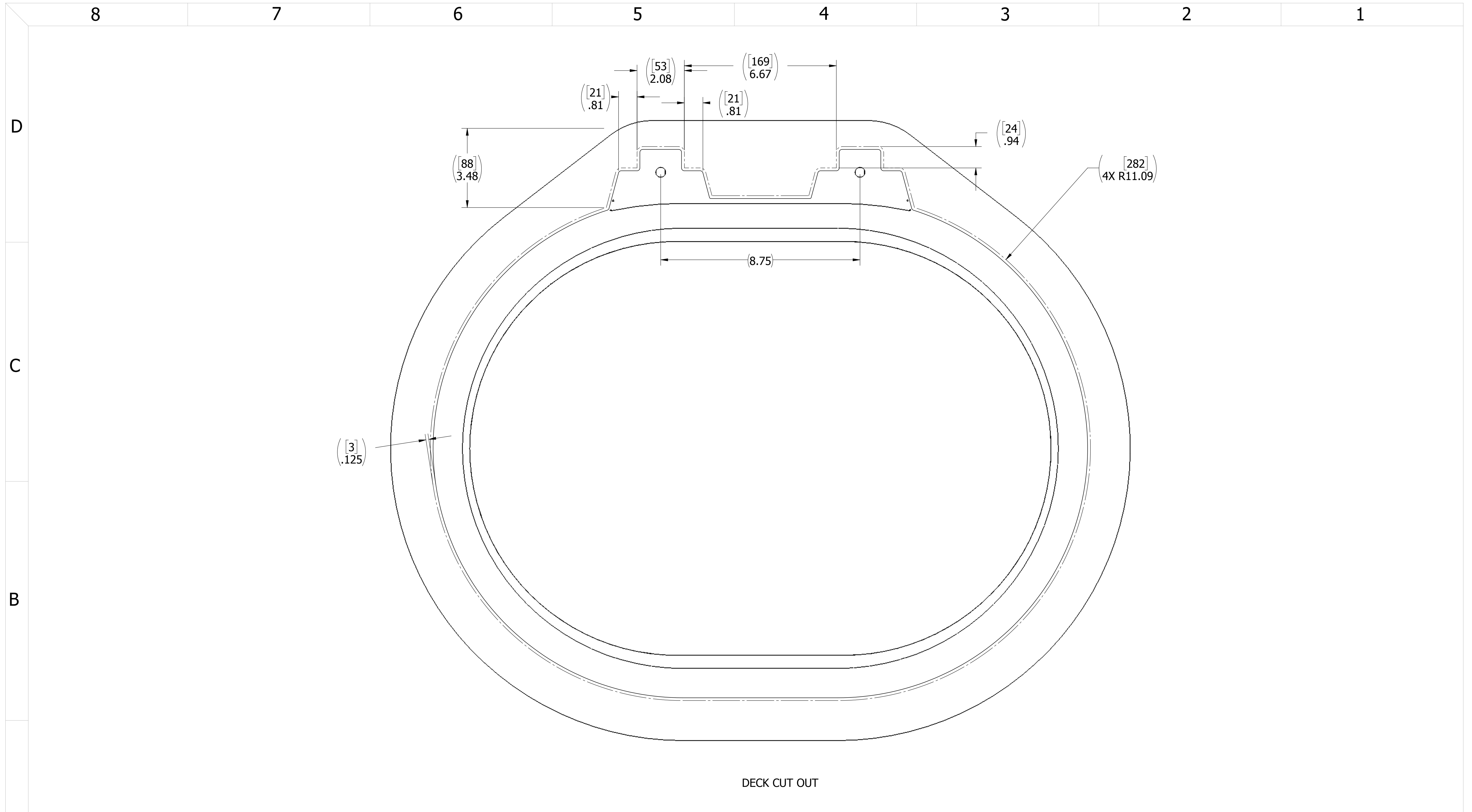
SECTION B-B

ITEM NO.	QTY.	PART NUMBER	DESCRIPTION	MATERIAL
13	1	0031-2058	BUSHING ASSY, W/O-RING, NO SLEEVE	ACETRON/RUBBER
12	1	9813-2001	GASKET: 1926 (6.19 FT. OF 0631-9813)	NEOPRENE, 25 DURO
11	4	0411-2032	NUT .375IN NYLOCK	316/316L
10	4	0411-2033	WASHER .406 X 1.25 X .125IN SS 316	SS, 316
9	4	0413-2005	WASHER, .406 X 1.250 X .062 NYLON	NYLON
8	2	0461-2205	HINGE ASSY, DOUBLE-ACTING, CAST HATCH,2	REF S/A - B.O.M.
7	1	0411-2004	PIN KNURLED .25 X 2.25IN SS 316	SS, 316
6	1	0021-2005	HANDLE, S/S, ROUND BAR	SS, 316
5	1	0112-2001	ACTUATOR, AL	ALUMINUM, 535
4	4	0211-2007	DOG, LOCKING ARM	ALUMINUM, 535.2-F
3	1	0011-2002	HUB, AL, 4 HOLE	AL, 535.2-F
2	1	2475-3001	COVER: 1926K	ALUMINUM, 356.0-F
1	1	2475-1002	RING, 19 x 26 HINGED	ALUMINUM, A356

SPECIFICATIONS SUBJECT TO CHANGE WITHOUT NOTICE.		FREEMAN MARINE EQUIPMENT, INC. 28336 HUNTER CREEK ROAD GOLD BEACH, OR 97444 U.S.A. PHONE: 541-247-7078 FAX: 541-247-2114 www.freemanmarine.com	
UNLESS OTHERWISE SPECIFIED DIMENSIONS ARE IN INCHES, TOLERANCES FOR ROUGH AND CLEAR OPENING ± .125 INCH. ALL OTHERS ARE: .X .XX .XXX ANGLES ±.1 ±.03 ±.010 ±2°		CLIENT: FREEMAN MARINE TITLE: 19" X 26" OVAL "K" STYLE ALUMINUM CAST HATCH, ALUMINUM DECK RING	
PROJECTION		CONTRACT NO.:	
DO NOT SCALE DRAWING		SIZE: 64747 DRAWING NUMBER: 2475-0002 SCALE: 1:1	
REV. DESCRIPTION: DATE: DRAWN:		REV. A SHEET 2 OF 3	

D
C
B
A

8 7 6 5 4 3 2 1



DECK CUT OUT

- 3. FINISH: 125 RMS MAX.
 - 2. BREAK SHARP EDGES AND DEBURR.
 - 1. MATERIAL: REF. S/A - B.O.M.
- NOTES: UNLESS OTHERWISE SPECIFIED.

CUSTOMER APPROVAL

Signature: _____
 Date: _____

IMPORTANT! THIS DRAWING SUPERSEDES ALL OTHER DOCUMENTS. By signing this approval you accept and agree that the dimensions and details shown are correct and properly fit your application, regardless of any differences between this drawing and any contract specifications. Should you see any errors in the drawing, or have any questions, please contact your Freeman Marine sales engineer for clarification.

REV.	DESCRIPTION	DATE	DRAWN
-	INITIAL RELEASE	09JUN05	GJM
A	UPDATE GEN. NOTES & B.O.M.	14NOV11	PPC

SPECIFICATIONS SUBJECT TO CHANGE WITHOUT NOTICE.

PROJECTION

UNLESS OTHERWISE SPECIFIED DIMENSIONS ARE IN INCHES, TOLERANCES FOR ROUGH AND CLEAR OPENING ± .125 INCH. ALL OTHERS ARE:

.X	.XX	.XXX	ANGLES
±.1	±.03	±.010	±2°

DO NOT SCALE DRAWING

 <small>CONFIDENTIAL PROPERTY OF FREEMAN MARINE EQUIPMENT, INC. UNAUTHORIZED USE, REPRODUCTION OR DISTRIBUTION IS STRICTLY PROHIBITED. ALL CODES REMAIN THE PROPERTY OF FREEMAN MARINE EQUIPMENT, INC. AND MUST BE RETURNED UPON REQUEST. © ALL RIGHTS RESERVED 2012, FREEMAN MARINE EQUIPMENT, INC.</small>		28336 HUNTER CREEK ROAD GOLD BEACH, OR 97444 U.S.A. PHONE: 541-247-7078 FAX: 541-247-2114 www.freemanmarine.com	
		CLIENT: FREEMAN MARINE	
DRAWN: G MACEACHERN CHECKED: _____ ENGR: _____ DESIGN ACTIVITY: _____ CONTRACT NO.: _____		DATE: 09JUN05 DATE: _____ DATE: _____ DATE: _____	
TITLE: 19" X 26" OVAL "K" STYLE ALUMINUM CAST HATCH, ALUMINUM DECK RING		SIZE: D	CAGE CODE: 64747 DRAWING NUMBER: 2475-0002 SCALE: 1:2
		REV. A	ACT. WT. _____ SHEET 3 OF 3