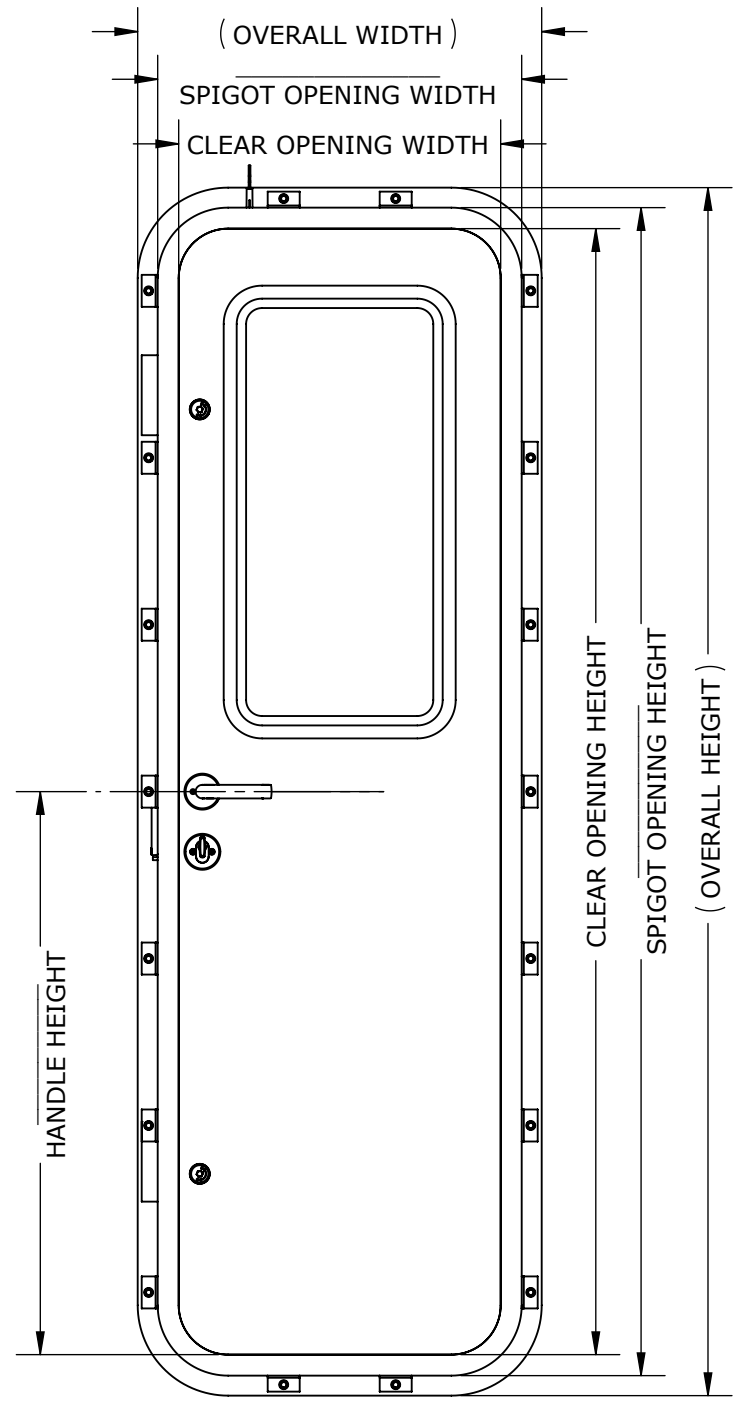


**EXTERIOR VIEW**

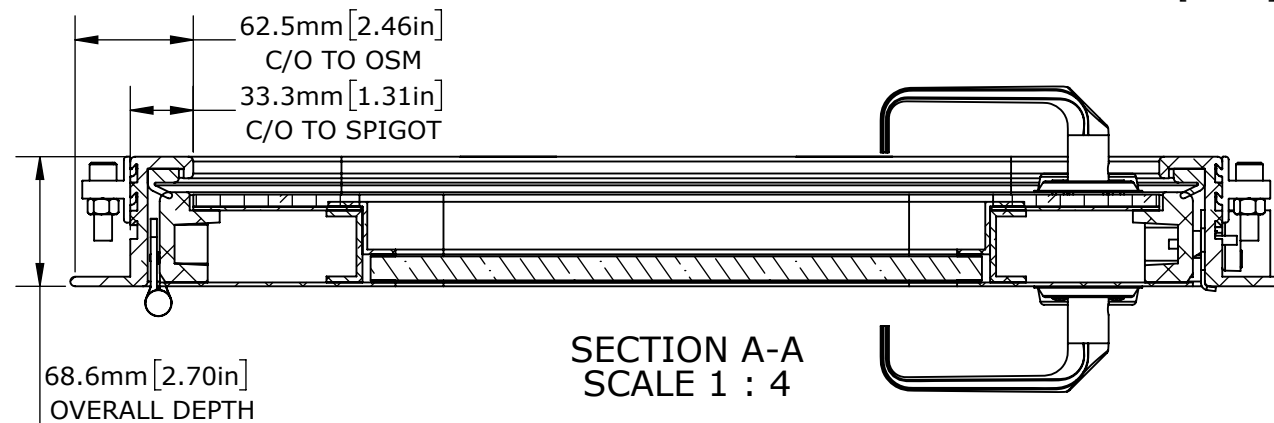


**INTERIOR VIEW**

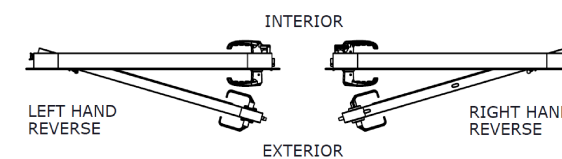
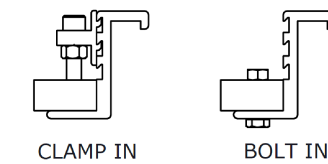
OVERALL = SPIGOT OPENING + 63.5mm[2.50in]  
 CLEAR OPENING = SPIGOT OPENING - 66.7mm[2.62 in]  
 PLATE CUT = SPIGOT OPENING + 6.35mm[0.25in]



**ISOMETRIC VIEW**  
SCALE 1 : 12



**FRAME STYLES**



OPTIONS		
<b>HANDING</b>	RIGHT HANDED	
	LEFT HANDED	
<b>LOCK</b>	LOCKING	
	NOT LOCKING	
<b>LOCK MECHANISM</b>	LOCKSET/HANDLE	
	LOCKSET/DEADBOLT	
<b>DOG STYLE</b>	PASSAGE SET/ HANDLE	
	ALUMINIUM	
<b>WINDOW STYLE</b>	CONCEALED	
	NYLON	
	STAINLESS STEEL	
<b>FRAME STYLE</b>	FULL HEIGHT	
	HALF HEIGHT	
	CIRCULAR	
<b>*CORNER TYPE</b>	NO PORTLIGHT	
	BOLT IN	
	CLAMP IN	
	MITRED	
	ROUND	

<b>CUSTOMER</b>		
ADVANTEC		
<b>PROJECT</b>		
1122 PCM SALES DRAWING		
<b>DESCRIPTION</b>		
STANDARD 1122 PCM SERIES MODEL AND DRAWING		

CONTACT	(604) 607-0091	DATE	9/30/2020
---------	----------------	------	-----------



DWG TITLE	1122 SERIES DOOR	CAGE CODE	
DESCRIPTION	Premium Duty, Single Aluminum Panel, Weatheright	QTY	

COPYRIGHT 2020 ADVANTEC GLOBAL INNOVATIONS. ALL RIGHTS RESERVED. CONFIDENTIAL PROPERTY OF ADVANTEC GLOBAL INNOVATIONS. UNAUTHORIZED USE, REPRODUCTION OR DISTRIBUTION IS STRICTLY PROHIBITED. COPIES REMAIN THE PROPERTY OF ADVANTEC GLOBAL INNOVATIONS AND MUST BE RETURNED UPON REQUEST.

SCALE	1:12	DRAWN	SP	DATE	9/30/2020	CHECKED		DATE		SIZE	B
S.O. NO		DWG NO	1122-1 PCM SALES		SHEET	1	REV	00			
					of	1					