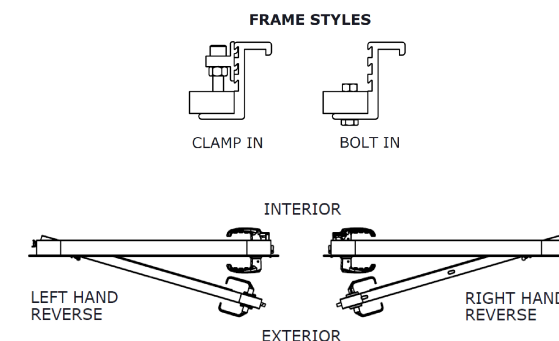
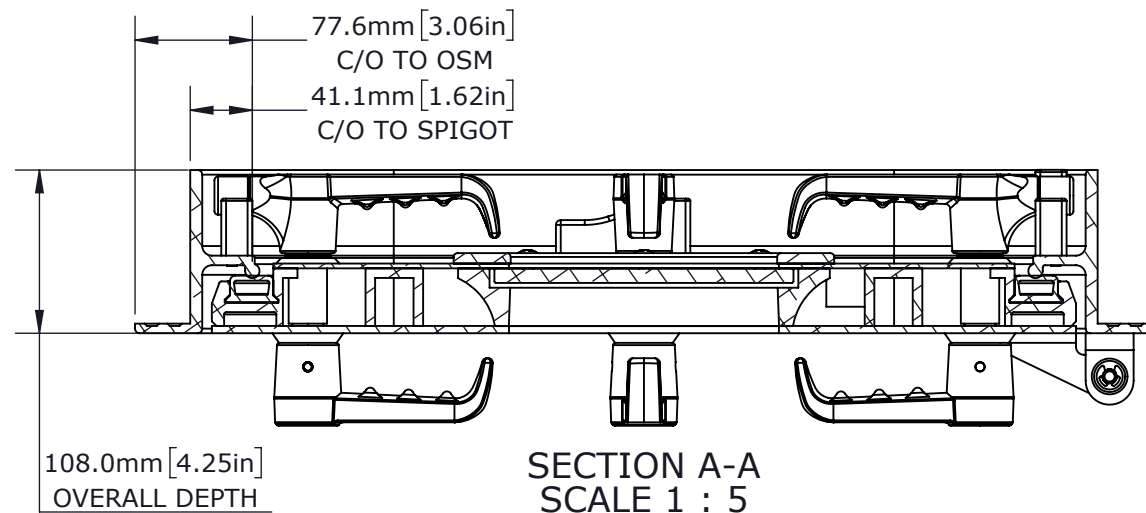
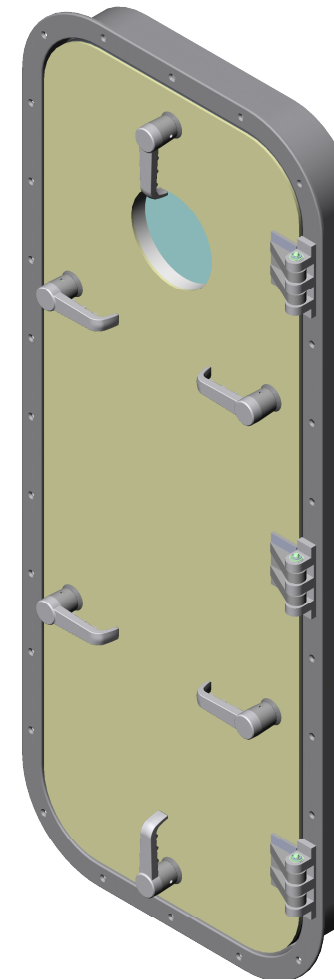


OVERALL = SPIGOT OPENING + 73.2mm[2.88in]
 CLEAR OPENING = SPIGOT OPENING - 91.7mm[3.61in]
 PLATE CUT = SPIGOT OPENING + 6.35mm[0.25in]



OPTIONS	
HANDING	RIGHT HANDED
	LEFT HANDED
LOCK	LOCKING
	NOT LOCKING
LOCK MECHANISM	LOCKSET/HANDLE
	LOCKSET/DEADBOLT
	PASSAGE SET/HANDLE
DOG STYLE	ALUMINIUM
	CONCEALED
	NYLON
WINDOW STYLE	STAINLESS STEEL
	FULL HEIGHT
	HALF HEIGHT
	CIRCULAR
FRAME STYLE	NO PORTLIGHT
	BOLT IN
*CORNER TYPE	CLAMP IN
	MITRED
	ROUND

CUSTOMER
ADVANTEC

PROJECT
1140 FREEMAN SALES DRAWING

DESCRIPTION
STANDARD 1140 FREEMAN SERIES
MODEL AND DRAWING

CONTACT (604) 607-0091 DATE 10/7/2020



DWG TITLE 1140 SERIES DOOR CAGE CODE

DESCRIPTION Heavy Duty, Single Aluminum Panel, Watertight QTY

COPYRIGHT 2020 ADVANTEC GLOBAL INNOVATIONS. ALL RIGHTS RESERVED. CONFIDENTIAL PROPERTY OF ADVANTEC GLOBAL INNOVATIONS. UNAUTHORIZED USE, REPRODUCTION OR DISTRIBUTION IS STRICTLY PROHIBITED. COPIES REMAIN THE PROPERTY OF ADVANTEC GLOBAL INNOVATIONS AND MUST BE RETURNED UPON REQUEST.

SCALE 1:12	DRAWN SP	DATE 10/7/2020	CHECKED	DATE	SIZE B
S.O. NO	DWG NO 1140-1 FME Sales	SHEET 1 of 1	REV 00		