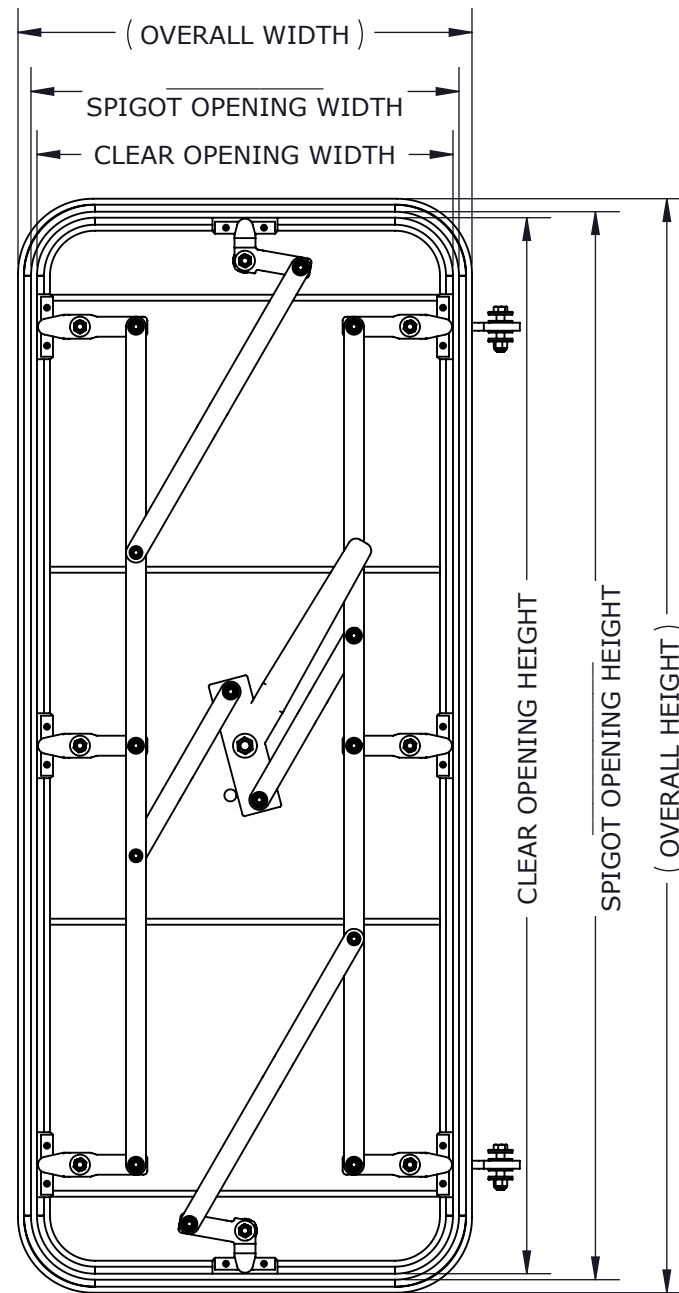
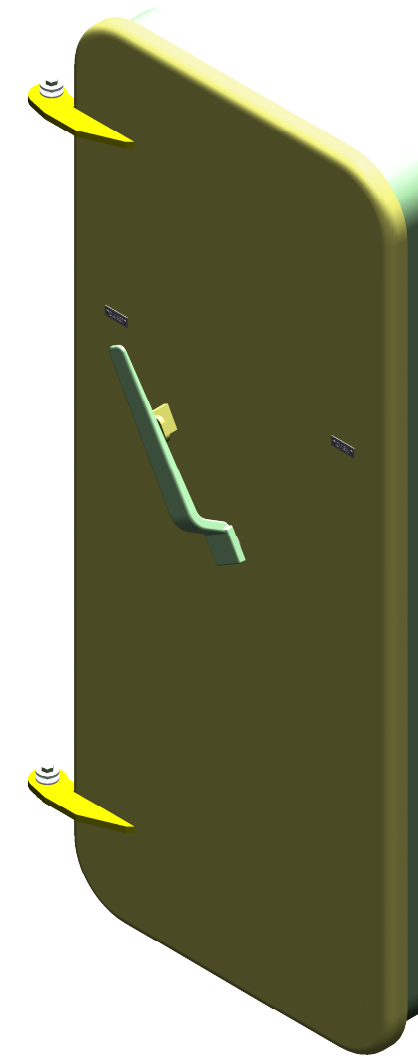


EXTERIOR VIEW

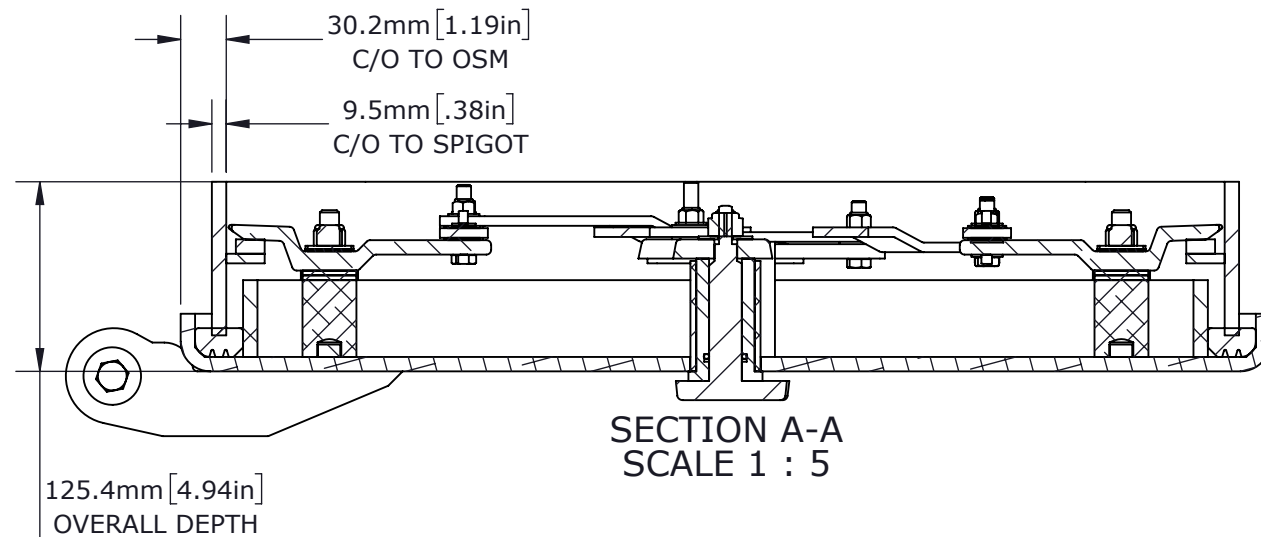


INTERIOR VIEW

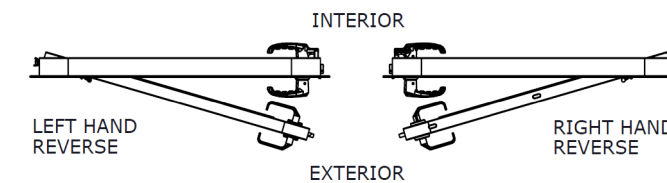
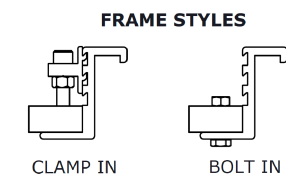
OVERALL = SPIGOT OPENING + 41.4mm[1.63in]
 CLEAR OPENING = SPIGOT OPENING - 19.1mm[0.75 in]
 PLATE CUT = SPIGOT OPENING + 6.35mm[0.25in]



ISOMETRIC VIEW
SCALE 1 : 12



SECTION A-A
SCALE 1 : 5



OPTIONS

HANDING	RIGHT HANDED	
	LEFT HANDED	
LOCK	LOCKING	
	NOT LOCKING	
HANDLE	LEVER	
	HAND WHEEL	
	HAND WHEEL W/ GEARBOX	
DOG STYLE	INDIVIDUAL DOGS	
	LINKAGE DOGS	
WINDOW STYLE	FULL HEIGHT	
	HALF HEIGHT	
	CIRCULAR	
	NO PORTLIGHT	
FRAME STYLE	BOLT IN	
	CLAMP IN	
*CORNER TYPE	MITRED	
	ROUND	

CUSTOMER

ADVANTEC

PROJECT

1212 FREEMAN SALES DRAWING

DESCRIPTION

STANDARD 1212 FREEMAN SERIES
MODEL AND DRAWING

CONTACT	DATE
(604) 607-0091	10/7/2020



DWG TITLE	CAGE CODE
1212 SERIES DOOR	

DESCRIPTION	QTY
Commercial Heavy Duty, Commercial, Watertight	

COPYRIGHT 2020 ADVANTEC GLOBAL INNOVATIONS. ALL RIGHTS RESERVED. CONFIDENTIAL PROPERTY OF ADVANTEC GLOBAL INNOVATIONS. UNAUTHORIZED USE, REPRODUCTION OR DISTRIBUTION IS STRICTLY PROHIBITED. COPIES REMAIN THE PROPERTY OF ADVANTEC GLOBAL INNOVATIONS AND MUST BE RETURNED UPON REQUEST.

SCALE	DRAWN	DATE	CHECKED	DATE	SIZE
1:12	SP	10/7/2020			B
S.O. NO	DWG NO	SHEET	REV		
	1212-1 FME Sales	1 of 1	00		