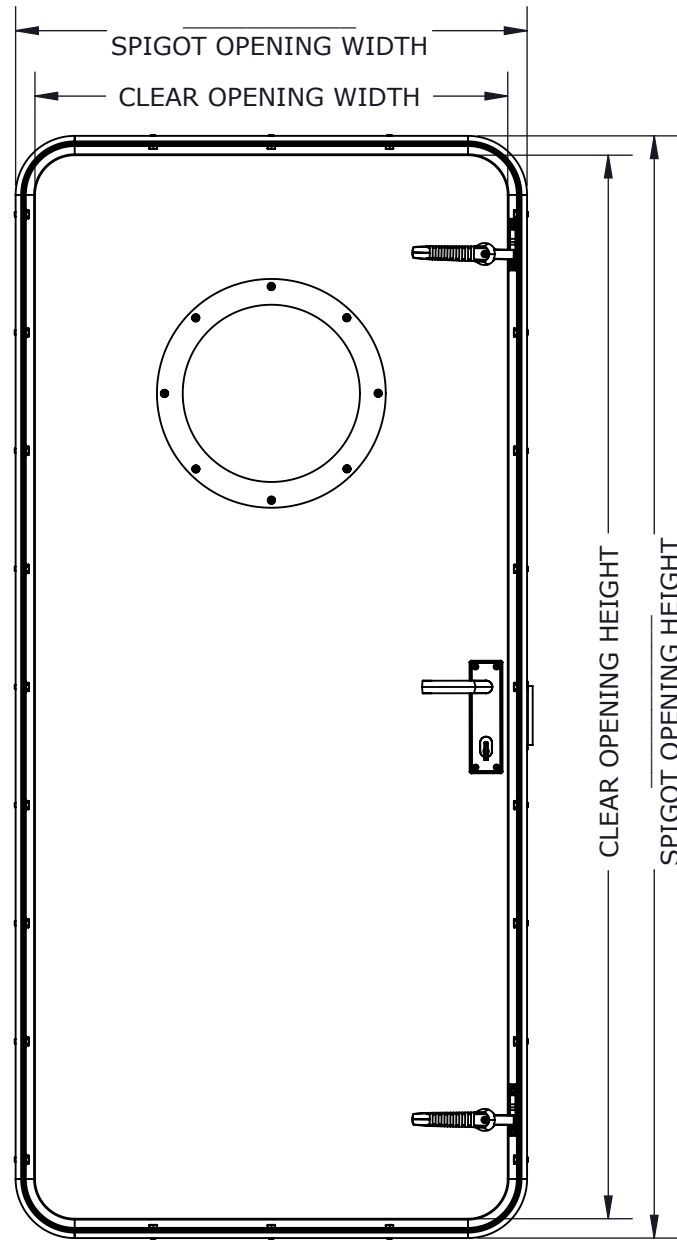
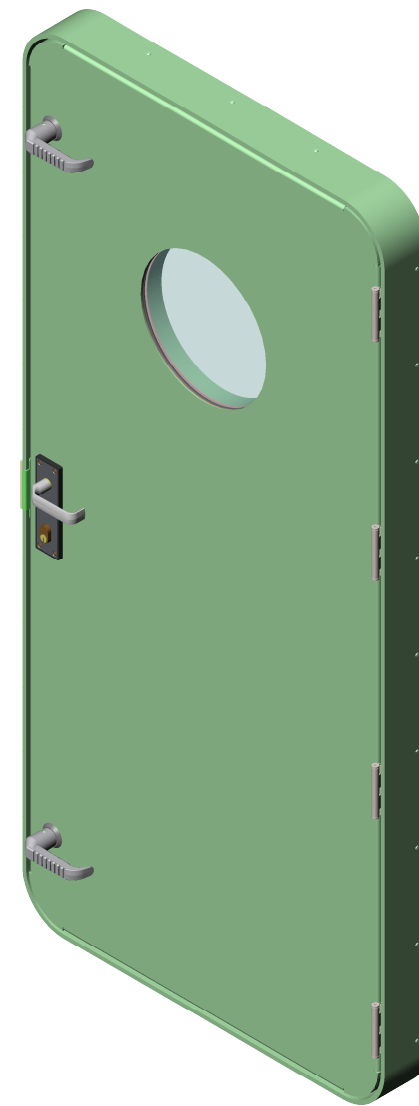


**EXTERIOR VIEW**

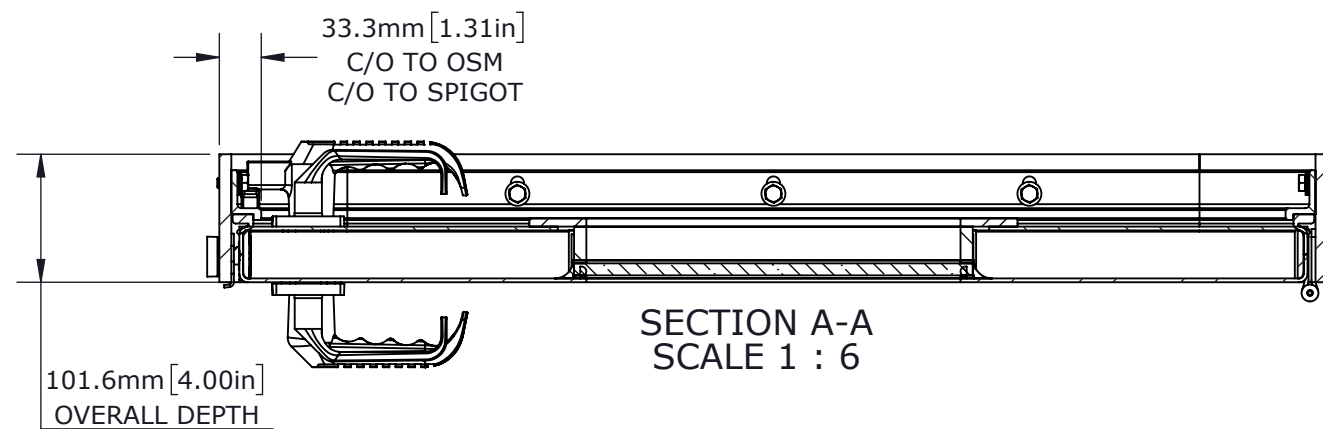


**INTERIOR VIEW**

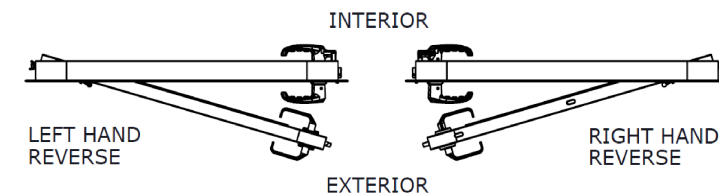
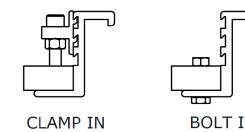
OVERALL = SPIGOT OPENING  
 CLEAR OPENING = SPIGOT OPENING - 66.5mm[2.62in]  
 PLATE CUT = SPIGOT OPENING + 6.35mm[0.25in]



**ISOMETRIC VIEW**  
SCALE 1 : 13



**FRAME STYLES**



**OPTIONS**

<b>HANDING</b>	RIGHT HANDED	
	LEFT HANDED	
<b>LOCK</b>	LOCKING	
	NOT LOCKING	
<b>LOCK MECHANISM</b>	LOCKSET/HANDLE	
	LOCKSET/DEADBOLT	
	PASSAGE SET/HANDLE	
<b>DOG STYLE</b>	ALUMINIUM	
	CONCEALED	
	NYLON	
	STAINLESS STEEL	
<b>WINDOW STYLE</b>	FULL HEIGHT	
	HALF HEIGHT	
	CIRCULAR	
	NO PORTLIGHT	
<b>FRAME STYLE</b>	BOLT IN	
	CLAMP IN	
<b>*CORNER TYPE</b>	MITRED	
	ROUND	

**CUSTOMER**

ADVANTEC

**PROJECT**

1213 FREEMAN SALES DRAWING

**DESCRIPTION**

STANDARD 1213 FREEMAN SERIES MODEL AND DRAWING

CONTACT (604) 607-0091 DATE 10/7/2020



DWG TITLE 1213 SERIES DOOR CAGE CODE

DESCRIPTION Heavy Duty, Fully Welded, Steel/Stainless Steel, Commercial, Weathertight QTY

COPYRIGHT 2020 ADVANTEC GLOBAL INNOVATIONS. ALL RIGHTS RESERVED. CONFIDENTIAL PROPERTY OF ADVANTEC GLOBAL INNOVATIONS. UNAUTHORIZED USE, REPRODUCTION OR DISTRIBUTION IS STRICTLY PROHIBITED. COPIES REMAIN THE PROPERTY OF ADVANTEC GLOBAL INNOVATIONS AND MUST BE RETURNED UPON REQUEST.

SCALE 1:13	DRAWN SP	DATE 10/7/2020	CHECKED	DATE	SIZE B
S.O. NO	DWG NO 1213-1 FME Sales	SHEET 1 of 1	REV 00		